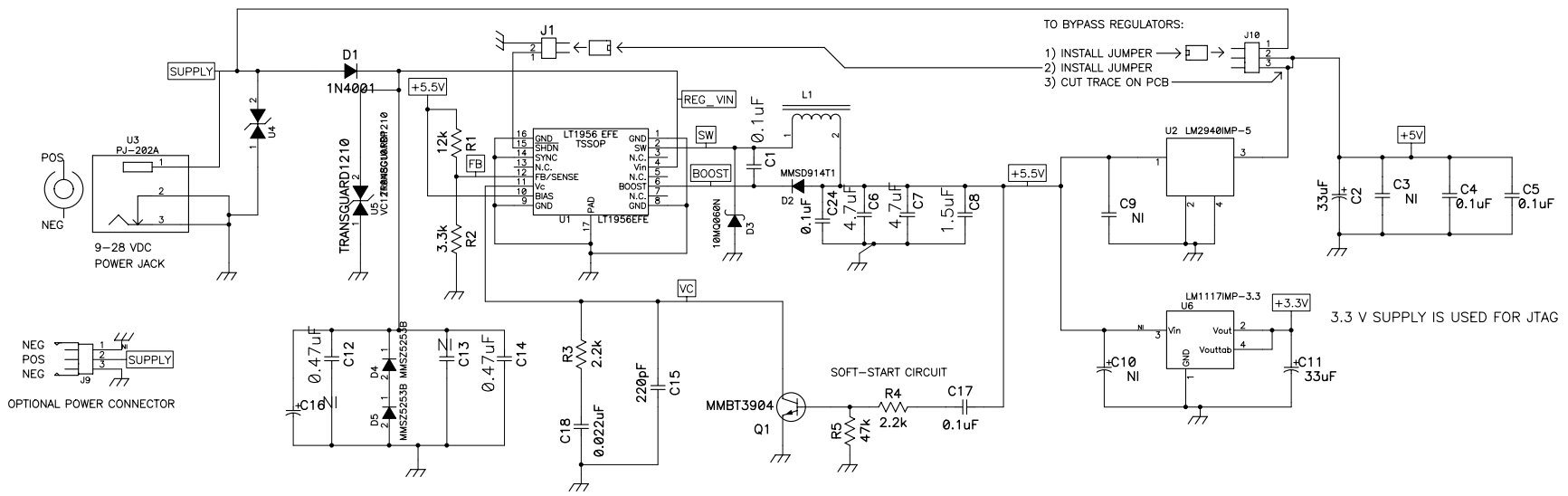
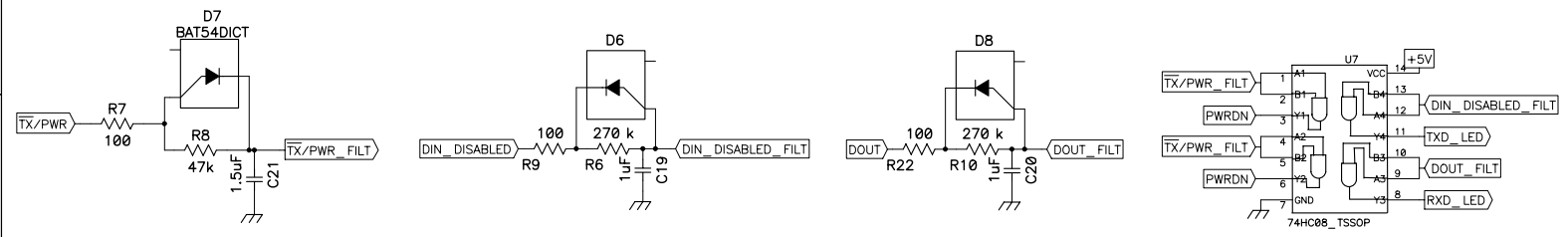


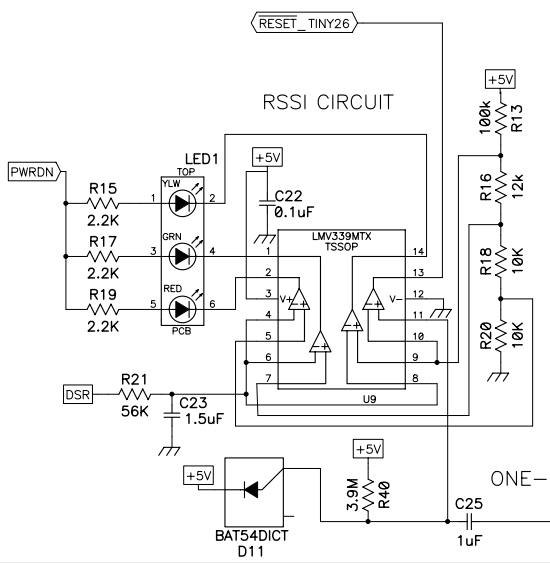
POWER SUPPLIES



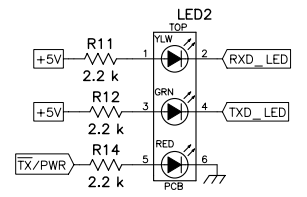
SIGNAL CONDITIONING



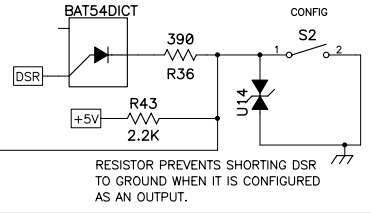
RSSI CIRCUIT



LED ARRAY



PUSH BUTTON



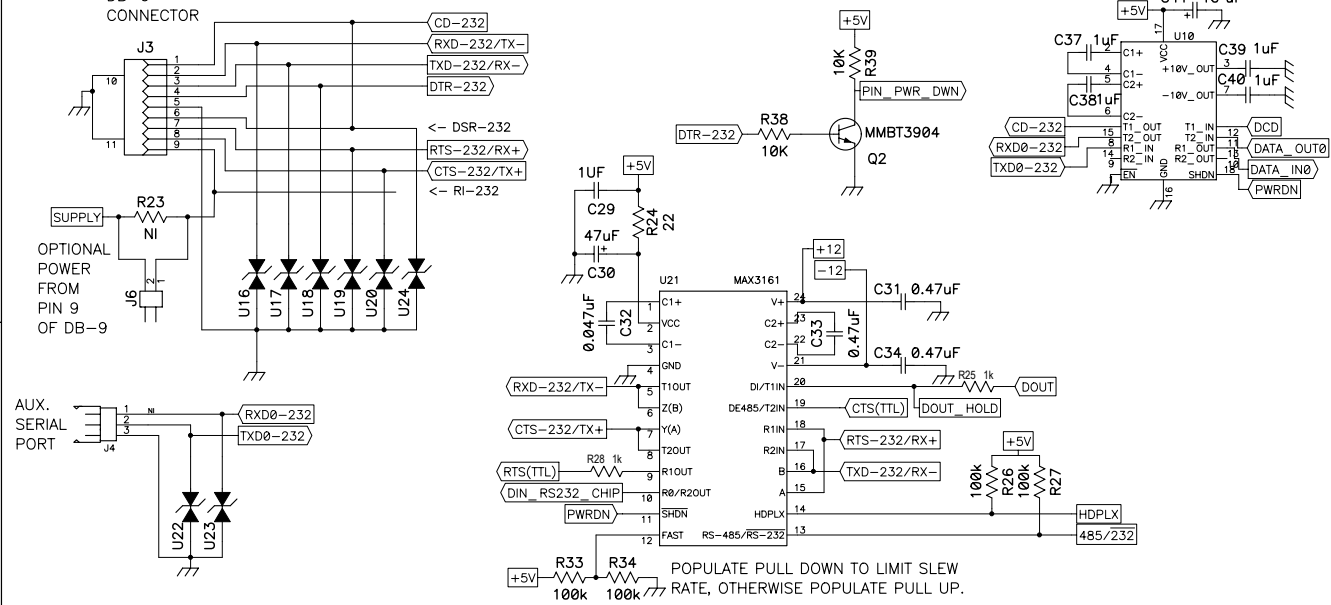
Document # 1,000,576E

MISCELLANEOUS

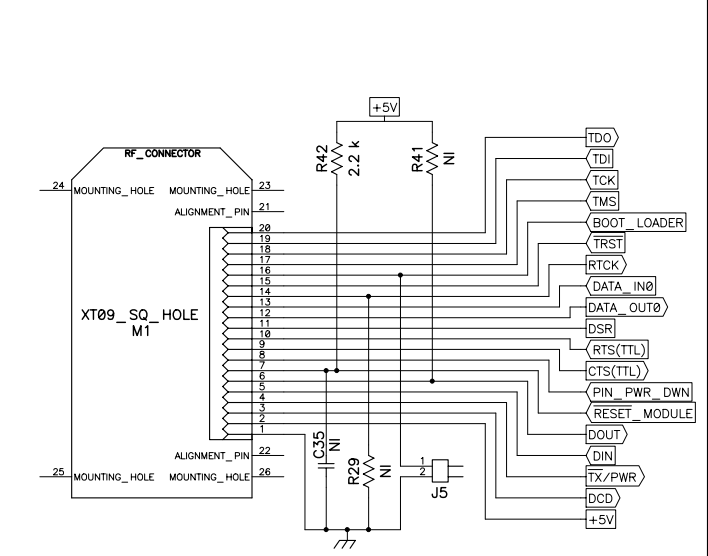
- SO1
- SCREW1
- JUMPER1
- PCB1
- SO2
- SCREW2
- JUMPER2
- LABOR
- SO3
- SCREW3
- JUMPER3
- FEMALE\_HEADER
- SO4
- SCREW4

Title				9XTEND INTERFACE CARD	
Size	Number			Rev	
C	MAXSTREAM	XIB-RH		6A	
Date	Sept 23, 2004		Drawn by JEREMY WILLDEN		
Filename	XTIB-R_REV6A.sch		Sheet	1	of 2

SERIAL PORT CONNECTORS AND LEVEL TRANSLATION

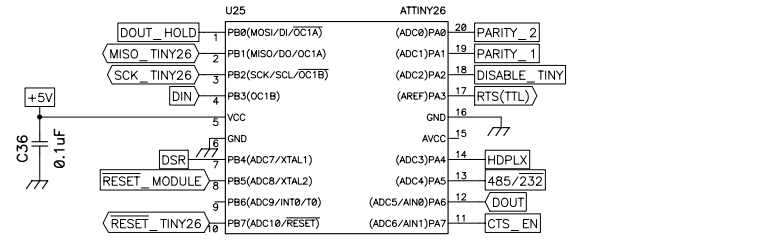


WIRELESS MODULE AND DEVELOPMENT HEADERS

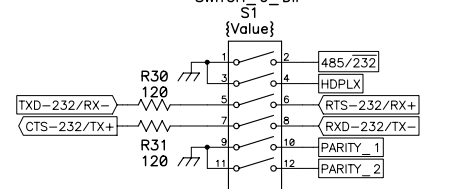


COMMAND AND CONTROL

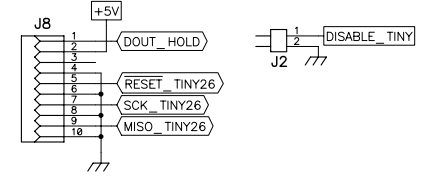
Document # 1,000,576E



CONFIGURATION SWITCHES



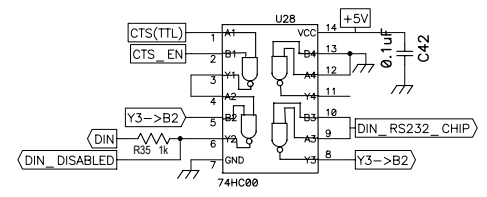
PROGRAMMING HEADER FOR TINY26



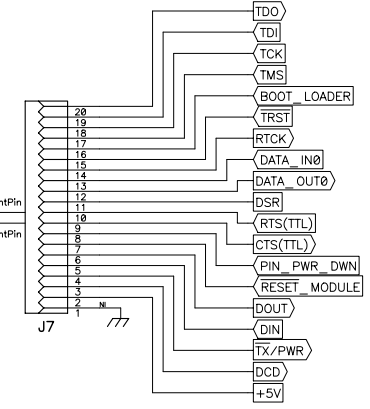
MEASUREMENT POINTS

- P12 ○ RTS(TTL)
- P13 ○ CTS(TTL)
- P14 ○ DCD
- P15 ○ RESET\_MODULE
- P16 ○ DSR
- P17 ○ TX/PWR
- P18 ○ PIN\_PWR\_DWN
- P1 ○ CD-232
- P2 ○ RXD-232/TX-
- P3 ○ TXD-232/RX-
- P4 ○ DTR-232
- P5 ○ RTS-232/RX+
- P6 ○ CTS-232/TX+
- P7 ○ PWRDN
- P8 ○ DOUT
- P9 ○ DIN
- P10 ○ +5V
- P11 ○

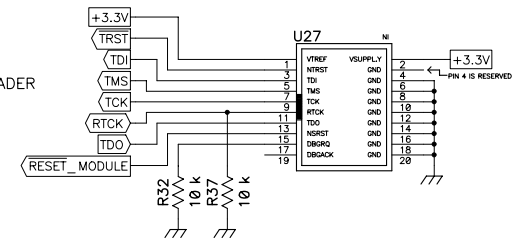
PREVENTS DATA COMING OUT OF MODULE FROM GETTING LOOPED BACK INTO THE MODULE BY THE 232/485 XCVR.



DEVELOPMENT HEADER



JTAG HEADER



Title			
9XTEND INTERFACE CARD			
Size	Number	Rev	
C	MAXSTREAM XIB-RH	6A	
Date	Sept 17, 2004	Drawn by	JEREMY WILLDEN
Filename	XTIB-R_REV6A.sch	Sheet	2 of 2