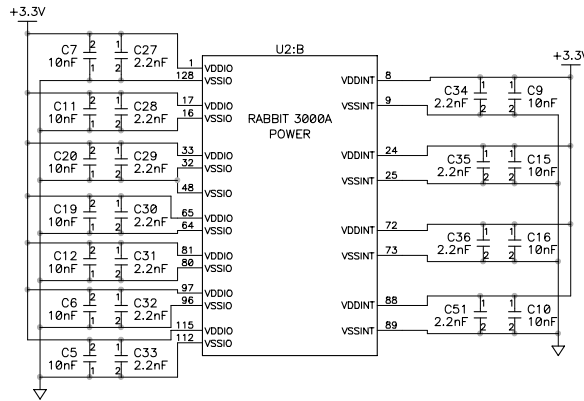
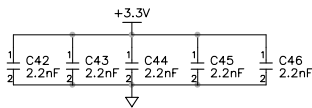
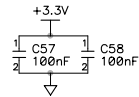
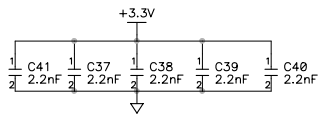
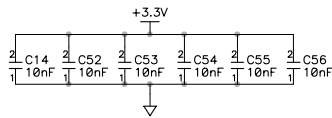
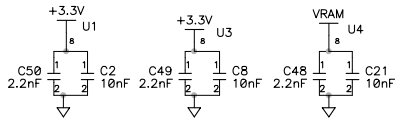


POWER TABLE

Ref Des	Device	GND	+3.3V	VRAM
U1	FLASH	24	8	
U3	FLASH	24	8	
U4	SRAM	24		8



- NOTES: UNLESS OTHERWISE SPECIFIED;
- ALL RESISTOR VALUES ARE IN OHMS, 1/16W, 5%.
 - THE ORIGIN SOURCE OF A VOLTAGE IS REPRESENTED BY (VCC), AND ALL REFERENCES TO THAT VOLTAGE ARE REPRESENTED BY (VCC).
 - COMPONENT VALUES SHOWN WITH AN ASTERISK (*) FOLLOWING THE VALUE, MAY HAVE DIFFERENT VALUES, OR MAY NOT BE STUFFED DEPENDING ON MODEL. SEE STUFFING CHART FOR CLARIFICATION.

CIRCUIT	PARTS	RCM3100	RCM3110
BANK SELECT	JP1	1-2	1-2
FLASH 1	U1	256K	256K
SELECT	JP2	1-2	1-2
FLASH 2	U3	256K	NOT INSTALLED
SELECT	JP3	1-2	NOT INSTALLED
SRAM	U4	512K	128K
SELECT	JP4	2-3	1-2
RTC	U7	INSTALLED	INSTALLED
	R20	NOT INSTALLED	NOT INSTALLED
PWR TO VRAM	R19	NOT INSTALLED	NOT INSTALLED

REVISION HISTORY				REVISION APPROVAL			
REV	ECO	DESCRIPTION	PROJECT ENGINEER	APPROVAL DATE	DOCUMENT CONTROL	APPROVAL DATE	
A	E11878	INITIAL RELEASE	DM	04/08/02	KIS	04/08/02	
B	E11913	ADDED PORT A PULL-UPS, DECOUPLING CAPS	DM	4/22/02	KIS	4/22/02	
C	E11956	CHANGED R17 TO 47K, R18 TO 22K, Q1	DM	5/30/02	KIS	5/30/02	
D	E12092	CHANGED R20,23 FROM 22K TO 0 AND 2K.	DM	10/2/02	KIS	10/2/02	
E	E12159	CHANGED RTC CIRCUITRY	DM	1/3/03	KF	1/3/03	
F	E12719	Changed R3000 to R3000A, removed U7, added R20 Changed RTC resistor values	DM	4/7/04	KF	4/7/04	
G	E14111	INSTALL SCHMITT TRIGGER AT U7. REMOVE RESISTOR FROM R20.	XT	9/30/05	KF	9/29/05	
H	001024	CHANGE FREQUENCY OF Y1 TO THE CORRECT VALUE OF 14.7456MHZ	HH	3/25/09			

COPYRIGHT 2009, DIGI INTERNATIONAL, INC

APPEND THE FOLLOWING DOCUMENTS WHEN CHANGING THIS DOCUMENT:		DRAWING CONTENT:		TITLE	RABBIT SEMICONDUCTOR	www.rabbit.com
		DRAWN BY: (INITIAL RELEASE) D.MUSGROVE	03/18/02			
		REVISED BY: H. HAM	3/25/09			
APPROVALS: INITIAL RELEASE				SIZE	DWG NO.	
		PROJECT ENGINEER: D.MUSGROVE	04/08/02	B	090-0144	SHEET 1 OF 2
		ENGINEERING MANAGER: R.MATTHEWS	04/08/02			
SIGNATURES		DATE		SCALE	NONE	RELEASE DATE
						04/08/02

