

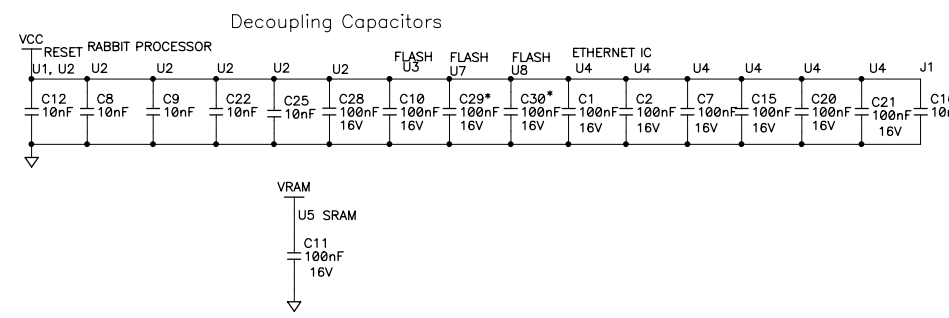
STUFFING TABLE

| | CIRCUIT | PART | RCM2200 | RCM2210 | RCM2250 |
|------------------------------|---|-----------|--------------------------|--------------------------|--------------------------|
| POWER CONTROL TO VRAM SWITCH | WITH BATTERY BACKUP CIRCUITRY | R33 | NOT INSTALLED | NOT INSTALLED | NOT INSTALLED |
| | CS CONTROL SWITCH | R27 | NOT INSTALLED | NOT INSTALLED | NOT INSTALLED |
| SRAM | MAIN | U5 | 128K SRAM | 128K SRAM | 512K SRAM |
| | SRAM SELECT | JP7 | ZERO OHM ACROSS PINS 1-2 | ZERO OHM ACROSS PINS 1-2 | ZERO OHM ACROSS PINS 2-3 |
| FLASH | FIRST | U3 | 256K FLASH | 256K FLASH | 256K FLASH |
| | FLASH MEMORY BANK SELECT | JP3 | ZERO ohm ACROSS PINS 1-2 | ZERO ohm ACROSS PINS 1-2 | ZERO ohm ACROSS PINS 1-2 |
| | FLASH TYPE | JP4 | ZERO ohm ACROSS PINS 1-2 | ZERO ohm ACROSS PINS 1-2 | ZERO ohm ACROSS PINS 1-2 |
| | CAPACITOR | C10 | INSTALLED | INSTALLED | INSTALLED |
| | SECOND | U8 | NOT INSTALLED | NOT INSTALLED | 256K FLASH |
| | FLASH MEMORY BANK SELECT | JP2 | NOT INSTALLED | NOT INSTALLED | ZERO ohm ACROSS PINS 1-2 |
| | FLASH TYPE | JP1 | NOT INSTALLED | NOT INSTALLED | ZERO ohm ACROSS PINS 1-2 |
| | CAPACITOR | C30 | NOT INSTALLED | NOT INSTALLED | INSTALLED |
| | THIRD | U7 | NOT INSTALLED | NOT INSTALLED | NOT INSTALLED |
| | FLASH MEMORY BANK SELECT | JP5 | NOT INSTALLED | NOT INSTALLED | NOT INSTALLED |
| | FLASH TYPE | JP6 | NOT INSTALLED | NOT INSTALLED | NOT INSTALLED |
| | CAPACITOR | C29 | NOT INSTALLED | NOT INSTALLED | NOT INSTALLED |
| ETHERNET | RJ-45 CONNECTOR WITH BUILT IN MAGNETICS | J2 | INSTALLED | NOT INSTALLED | INSTALLED |
| | FILTER CAPACITORS | C18 | INSTALLED | NOT INSTALLED | INSTALLED |
| | | C19 | INSTALLED | NOT INSTALLED | INSTALLED |
| | | C23 | INSTALLED | NOT INSTALLED | INSTALLED |
| | LEDS | DS1 | INSTALLED | NOT INSTALLED | INSTALLED |
| | | DS2 | INSTALLED | NOT INSTALLED | INSTALLED |
| R34 | | INSTALLED | NOT INSTALLED | INSTALLED | |
| BATTERY | ON BOARD BATTERY | BT1 | NOT INSTALLED | NOT INSTALLED | NOT INSTALLED |

| REVISION HISTORY | | | REVISION APPROVAL | | | |
|------------------|--------|--|-------------------|---------------|------------------|---------------|
| REV | ECO | DESCRIPTION OF CHANGE | PROJECT ENGINEER | APPROVAL DATE | DOCUMENT CONTROL | APPROVAL DATE |
| A | E11399 | INITIAL RELEASE | RJH | 3/22/01 | KIS | 3/22/01 |
| B | E11646 | ADD CAP TO THE LEFT OF R17 (PAGE 2). ADD REFERENCE TO NEW RCM2210. | RJH | 9/21/01 | KIS | 8/29/01 |
| C | E11570 | REMOVED R12, ADDED R42,R43 | RJH | 9/24/01 | KIS | 9/21/01 |
| D | E11787 | CORRECT STUFFING TABLE SPEC FOR RCM2210 AT U5. | RJH | 12/28/01 | KIS | 12/28/01 |
| E | E11862 | CHANGE VALUE OF C5,6 FROM 33PF TO 10PF | RJH | 3/11/02 | KIS | 3/8/02 |
| F | E11942 | REMOVE THERMISTOR AT RT1, CHANGE R41 TO 11K. | EP | 5/10/02 | KIS | 5/9/02 |

TABLE A

| REF DES | DEVICE | DEVICE VOLTAGE INFORMATION | | | DEVICE: FILTER CAP REF DES(S) |
|---------|---------------|----------------------------|---------------------|------|-------------------------------|
| | | GND | VCC | VRAM | |
| U1 | ETC811L | 1 | 4 | | C12 |
| U2 | RABBIT 2000 | 2,27,39 52,77,89 | 3,28,53, 78,92 | | C8,C9,C12,C22,C25,C28 |
| U3 | FLASH | 24 | 8 | | C10 |
| U8 | FLASH | 24 | 8 | | C30 |
| U7 | FLASH | 24 | 8 | | C29 |
| U4 | RTL8019AS | 14,28,44 52,83,86 | 6,17,47 57,70,89 | | C1,C2,C7,C15,C20,C21 |
| U5 | SRAM 128K X 8 | 16 | | 32 | C11 |



- NOTES: UNLESS OTHERWISE SPECIFIED:
- ALL RESISTOR VALUES ARE IN OHMS, 1/16W, 5%
 - ALL CAPACITORS ARE 50VDC OR HIGHER.
 - THE ORIGINATION SOURCE OF A VOLTAGE IS REPRESENTED BY (VCC), AND ALL REFERENCES TO THAT VOLTAGE ARE REPRESENTED BY (VCC).
 - R27, R33, & BT1 NOT NORMALLY STUFFED.
 - COMPONENT VALUES SHOWN WITH AN ASTERISK (*) FOLLOWING THE VALUE, MAY HAVE DIFFERENT VALUES, OR MAY NOT BE STUFFED DEPENDING ON MODEL. SEE STUFFING CHART FOR CLARIFICATION.

Copyright 2001, Z-World, Inc. 05/09/02

| | | | | |
|---|------------------------------------|----------|---|--|
| APPEND THE FOLLOWING DOCUMENTS WHEN CHANGING THIS DOCUMENT: | DRAWING CONTENT: | | TITLE SCHEMATIC DIAGRAM MICRO ETHERNET RABBITCORES RCM2200 SERIES | 2900 SPAFFORD ST. DAVIS, CA 95616 530 - 757-4616 |
| | DRAWN BY: (INITIAL RELEASE) RJH | 3/15/01 | | |
| | REVISED BY: K.SCHALLER | 05/09/02 | | |
| | APPROVALS: INITIAL RELEASE | | | |
| | PROJECT ENGINEER: RICHARD HESS | 3/22/01 | | |
| | ENGINEERING MANAGER: R.MATTHEWS | 3/22/01 | | |
| | SIGNATURES | DATE | SCALE NONE | RELEASE DATE 03/22/01 |
| | | | SIZE C | DWG NO. 090-0120 |
| | | | | SHEET 1 OF 2 |

