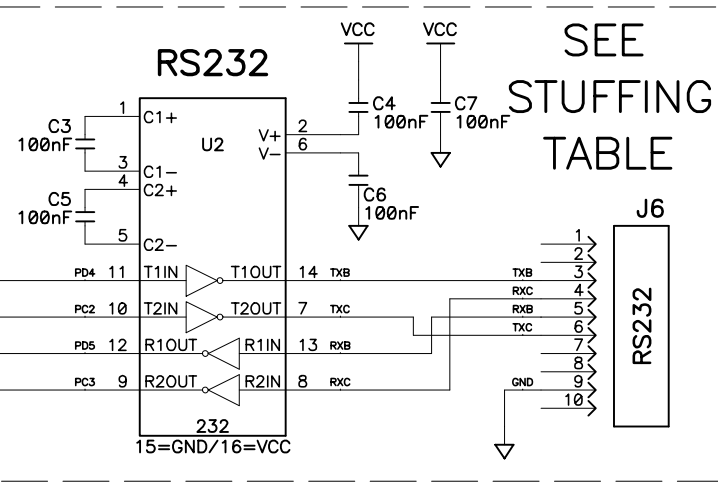
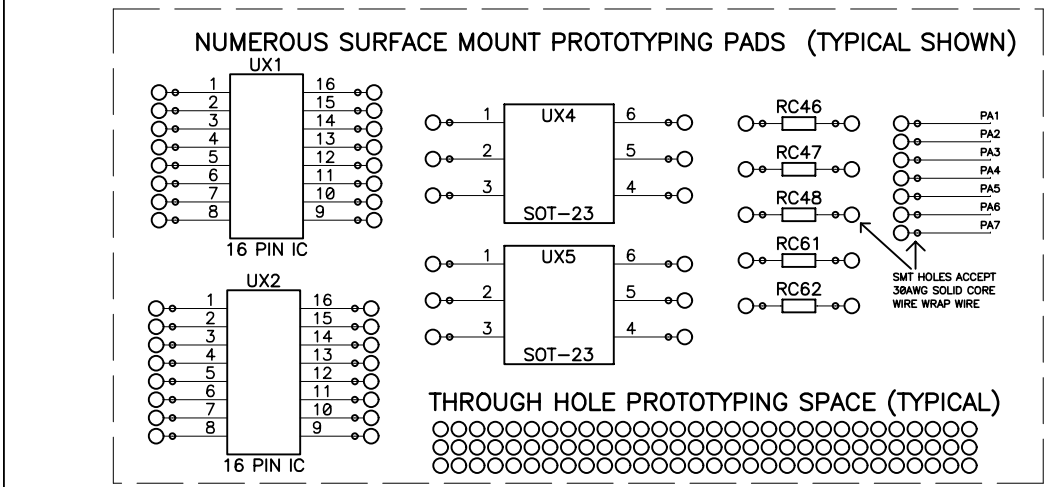
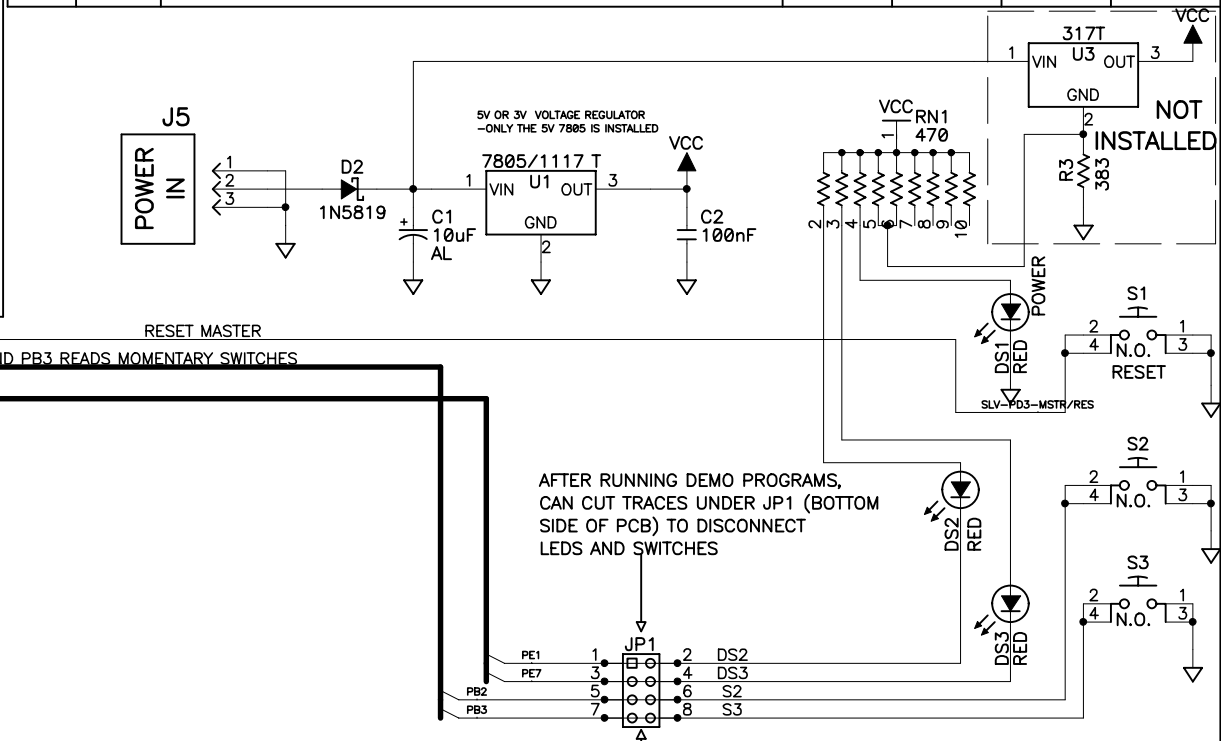
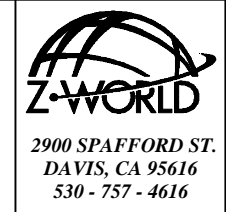


REVISION HISTORY			REVISION APPROVAL			
REV	ECO	DESCRIPTION	PROJECT ENGINEER	APPROVAL DATE	DOCUMENT CONTROL	APPROVAL DATE
B	E11520	ADD RCM2300 CONNECTIONS	RJH	04/11/01	KIS	05/10/01
C	E11669	MAKE PROVISION FOR NEW DEMO BOARD	RJH	9/18/01	KIS	9/17/01
D	E11724	ADD 'DEVICEMATE' NAME TO NEW DEMO BOARD REFERENCES				



PART	RCM2200/2300 PROTOTYPING BOARD	DEVICEMATE DEMO BOARD
U2	NOT INSTALLED	INSTALLED
J6	NOT INSTALLED	INSTALLED
C3 - C7	NOT INSTALLED	INSTALLED

APPEND THE FOLLOWING DOCUMENTS WHEN CHANGING THIS DOCUMENT:		DRAWING CONTENT:		TITLE	
		DRAWN BY: (INITIAL RELEASE)	22MAR01	SCHEMATIC DIAGRAM	
		REVISED BY:	11/08/01	RCM2200/2300 PROTOTYPING BOARD	
		APPROVALS: INITIAL RELEASE			
		PROJECT ENGINEER:	04/09/01	DEVICEMATE DEMO BOARD	
		ENGINEERING MANAGER:	04-09-01	SIZE	DWG NO.
		SIGNATURES	DATE	B	090-0122
				SCALE	NONE
				RELEASE DATE	
				SHEET	1 OF 1



COPYRIGHT 2001, Z-WORLD, INC.