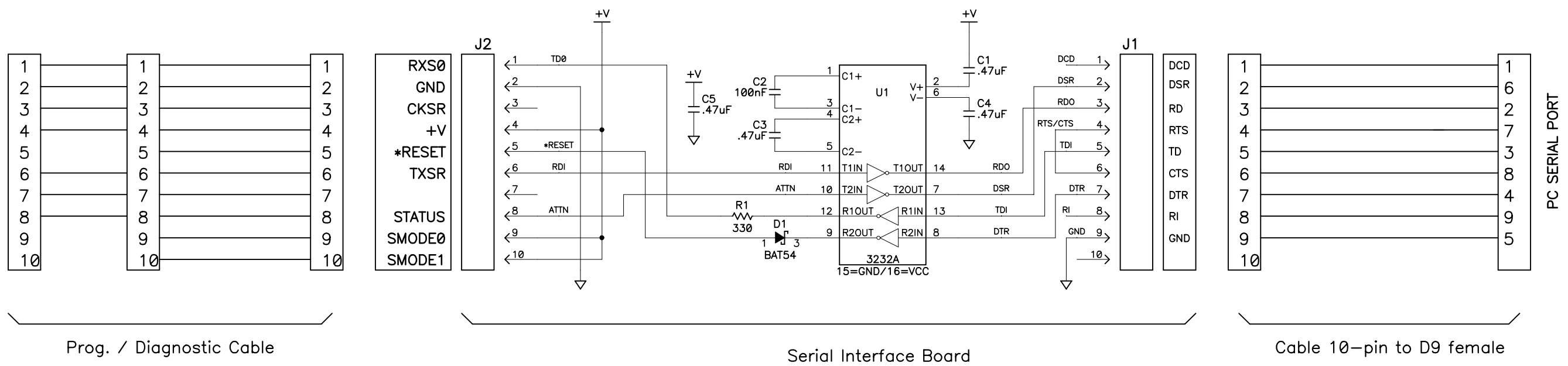


REVISION HISTORY			REVISION APPROVAL			
REV	ECO	DESCRIPTION	PROJECT ENGINEER	APPROVAL DATE	DOCUMENT CONTROL	APPROVAL DATE
A	E11523	INITIAL RELEASE OF SCHEMATIC	EP	5/14/01	KIS	5/14/01
B	E11691	CORRECT DE9 PINOUT	EP	10/5/01	KIS	10/4/01
C	E11816	ADD 3.3V CAPABILITY AND RED TUBING	DM	1/24/02	KIS	1/24/02



NOTES: UNLESS OTHERWISE SPECIFIED;
 1. ALL RESISTOR VALUES ARE IN OHMS, 1/10W, 5%
 2. ALL CAPACITORS ARE 50VDC OR HIGHER.
 3. THE ORIGATION SOURCE OF A VOLTAGE IS REPRESENTED BY (VCC), AND ALL REFERENCES TO THAT VOLTAGE ARE REPRESENTED BY (VCC).

APPEND THE FOLLOWING DOCUMENTS WHEN CHANGING THIS DOCUMENT:	DRAWING CONTENT:		TITLE SCHEMATIC DIAGRAM RABBIT PROG. CABLE 3.3V - 5.0V	 2900 SPAFFORD ST. DAVIS, CA 95616 530 - 757 - 4616
	DRAWN BY: (INITIAL RELEASE) E. PEAK	14MAY01		
	REVISED BY: D MUSGROVE	01/21/02		
	APPROVALS: INITIAL RELEASE			
PROJECT ENGINEER: ERIC PEAK	5/14/01	SIZE B	DWG NO. 090-0128	
ENGINEERING MANAGER: R MATTHEWS	5/14/01			
SIGNATURES	DATE	SCALE NONE	RELEASE DATE	SHEET 1 OF 1