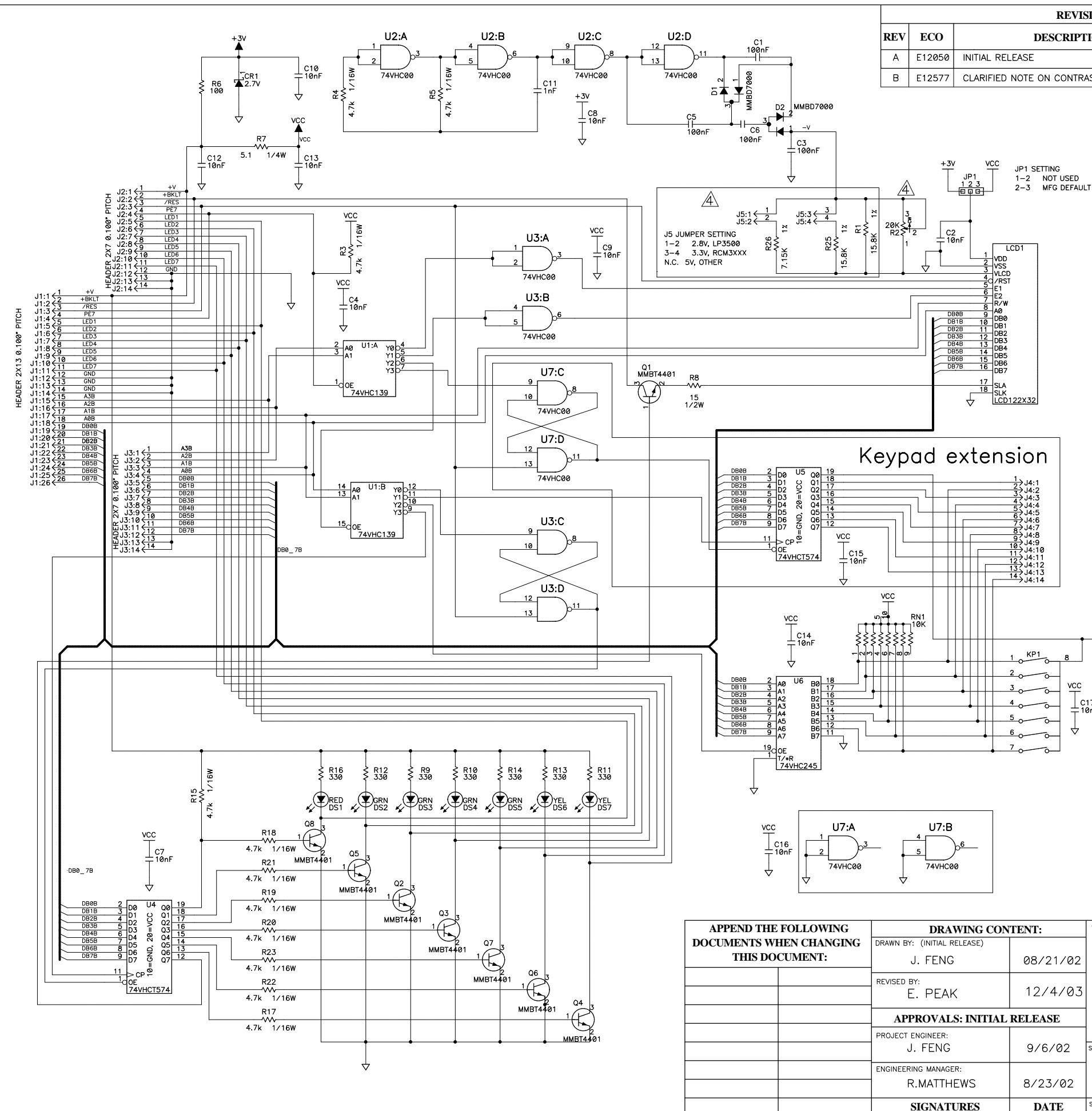



REVISION HISTORY			REVISION APPROVAL			
REV	ECO	DESCRIPTION OF CHANGE	PROJECT ENGINEER	APPROVAL DATE	DOCUMENT CONTROL	APPROVAL DATE
A	E12050	INITIAL RELEASE	JF	9/6/02	KIS	9/6/02
B	E12577	CLARIFIED NOTE ON CONTRAST CONTROL COMPONENTS	EP	2/23/04	KF	2/23/04



**POWER TABLE**

REF DES	DEVICE	DEVICE VOLTAGE INFORMATION				FILTER CAP REF DES(s)
		GND	VCC	+3V	NC	
U1	74VHC139	8	16			C4
U2	74VHC00	7		14		C8
U3	74VHC00	7	14			C9
U4	74VCT574	10	20			C7
U5	74VCT574	10	20			C15
U6	74VHC245	10	20			C14
U7	74VHC00	7	14			C16

- NOTES: UNLESS OTHERWISE SPECIFIED:
- ALL CAPACITORS ARE 50VDC OR HIGHER.
  - THE ORIGIN SOURCE OF A VOLTAGE IS REPRESENTED BY (VCC), AND ALL REFERENCES TO THAT VOLTAGE ARE REPRESENTED BY (VCC).
  - OUTLINED CIRCUIT MAY NOT BE STUFFED DEPENDING ON MODEL.
- SOME MODELS HAVE R2 STUFFED FOR CONTRAST CONTROL. IN THIS CASE THE COMPONENTS IN THE DOTTED BOX WILL NOT BE STUFFED, AND VICE VERSA.

APPEND THE FOLLOWING DOCUMENTS WHEN CHANGING THIS DOCUMENT:		DRAWING CONTENT:		TITLE	
		DRAWN BY: (INITIAL RELEASE)	08/21/02	SCHEMATIC DIAGRAM KEYPAD DISPLAY UNIT 2.7-5V Version	
		REVISED BY:	12/4/03		
APPROVALS: INITIAL RELEASE				 2900 SPAFFORD ST. DAVIS, CA 95616 530 - 757-4616	
PROJECT ENGINEER:		9/6/02			
ENGINEERING MANAGER:		8/23/02			
SIGNATURES		DATE		SCALE	NONE
				RELEASE DATE	08/21/02
				SHEET	1 OF 1
				DWG NO.	090-0156