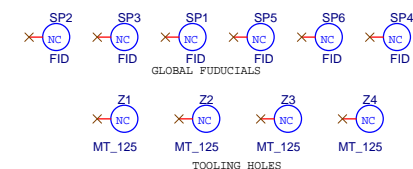


**NOTES:**

1. ALL RESISTOR VALUES ARE IN OHMS AND IN THE 0603 SIZE UNLESS OTHERWISE NOTED
2. ALL RESISTOR VALUES ARE 5% UNLESS OTHERWISE NOTED
3. ALL CAPACITORS ARE RATED IN uFARADS AND IN THE 0603 SIZE UNLESS OTHERWISE NOTED
4. ALL CAPACITORS ARE RATED AT 50 VDC OR HIGHER UNLESS OTHERWISE NOTED
5. LAST USED:



# NS7520

## DEVELOPMENT BOARD

### BOARD REVISIONS

07/15/02 1952000 REV A

### BOARD REV NOTES

### SHEET REV NOTES

March 8, 2003: Added Cover sheet and Block Diagram as page 1 & 2. Bumped up rest of sheets by two page numbers and updated all title blocks to NS7520. No schematic changes were made to Pages 3-13.

Aug. 28, 2003: Block Diagram Updated (page 1 & 2)

Sep. 23, 2004: Block Diagram, CPUA & CPUB updated: (pages 1-4)

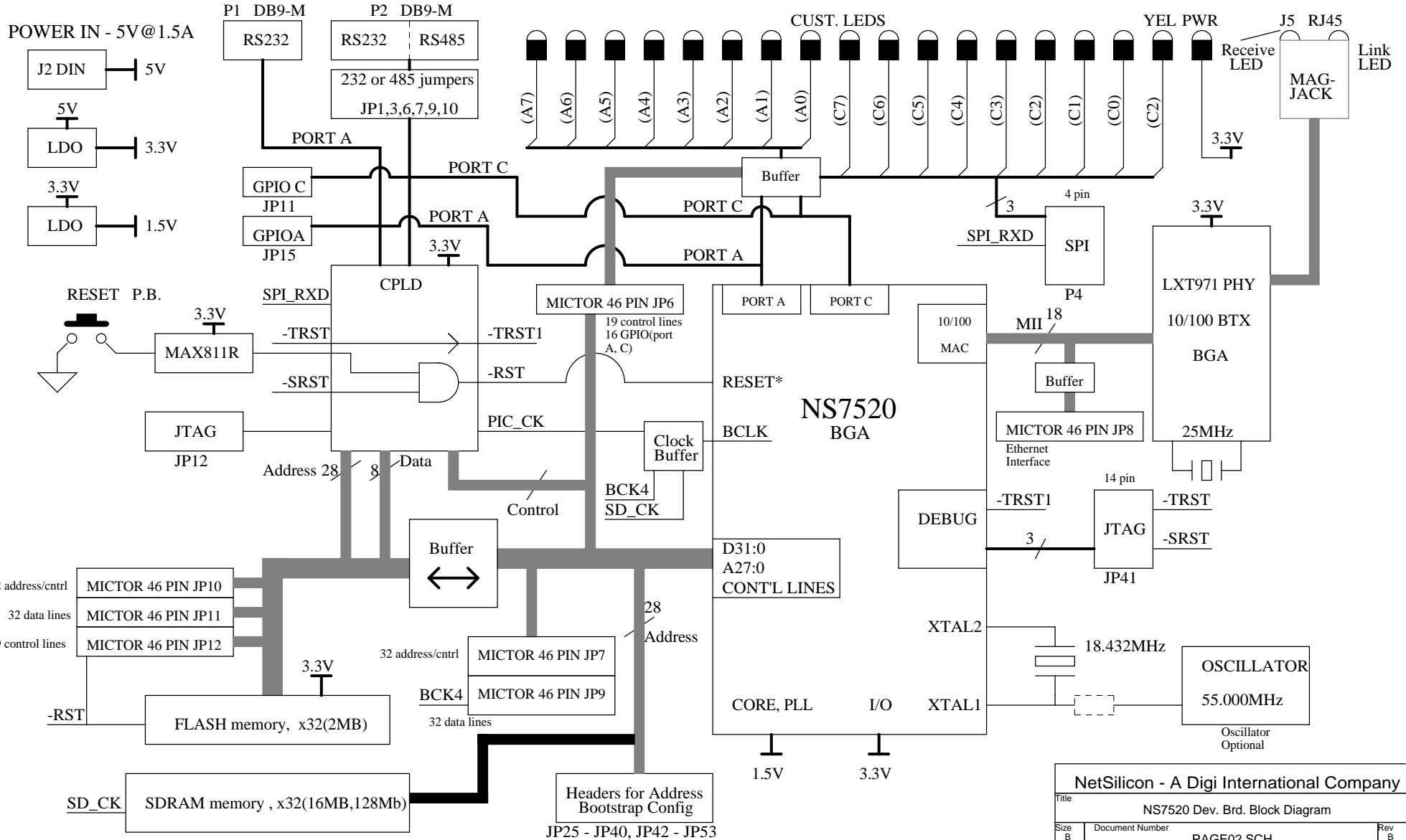
### SHEET DESCRIPTION

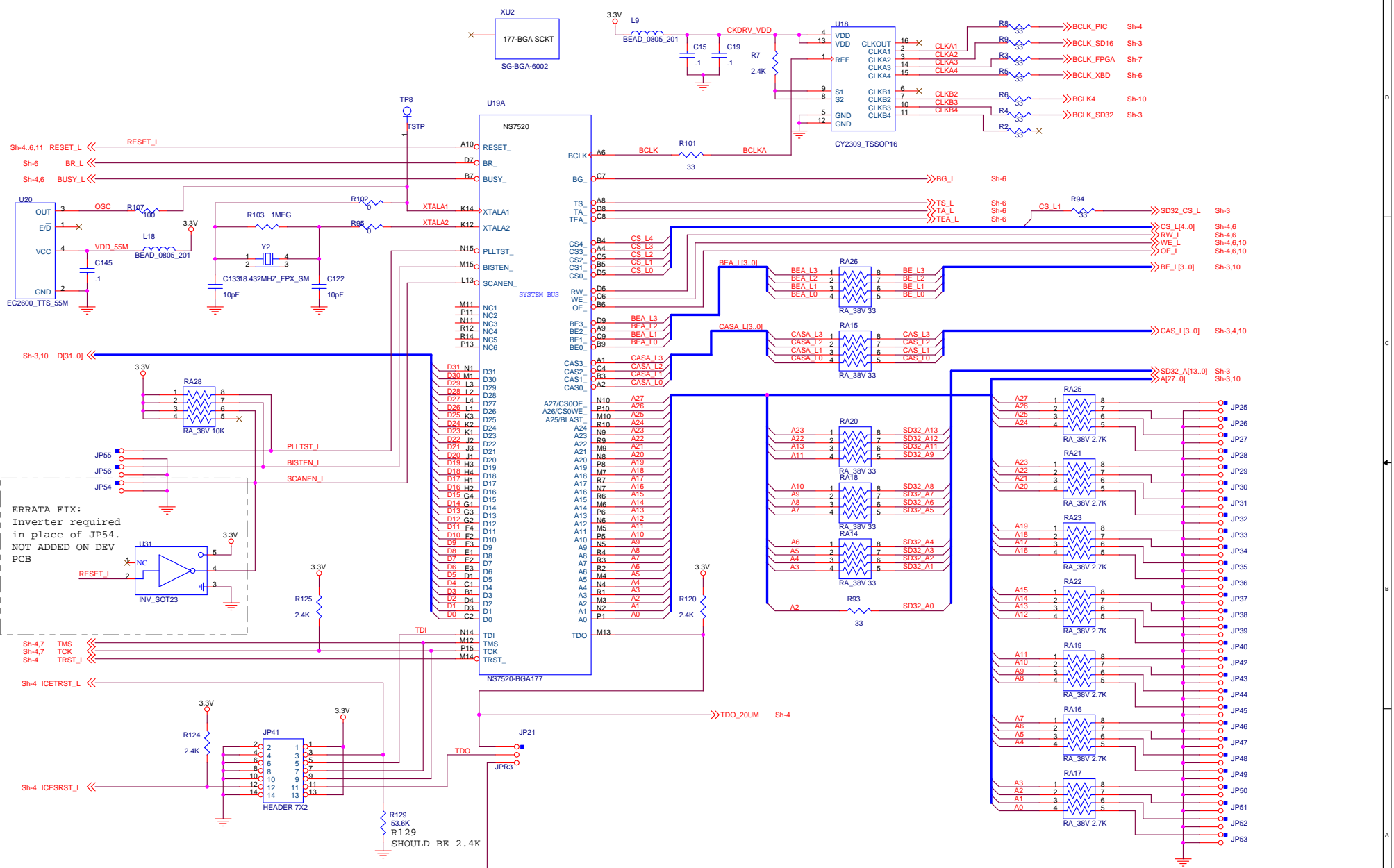
SH. #	REV.	DESCRIPTION
1.	C	Cover Sheet
2.	C	Block Diagram
3.	B	CPU-A & BCLK Buffer
4.	B	CPU-B, & CPU-C
5.	A	32/16 Bit SDRAM, Bus Transceivers
6.	A	PIC CPLD
7.	A	FLASH, SRAM, DRAM
8.	A	FPGA-A, Ext. Board Mictor Conns
9.	A	FPGA-B, -C, ISP PROM
10.	A	Serial RS232/485 Ports A & B
11.	A	Ethernet Interface
12.	A	Mictor Connectors
13.	A	Power Supply & LEDs

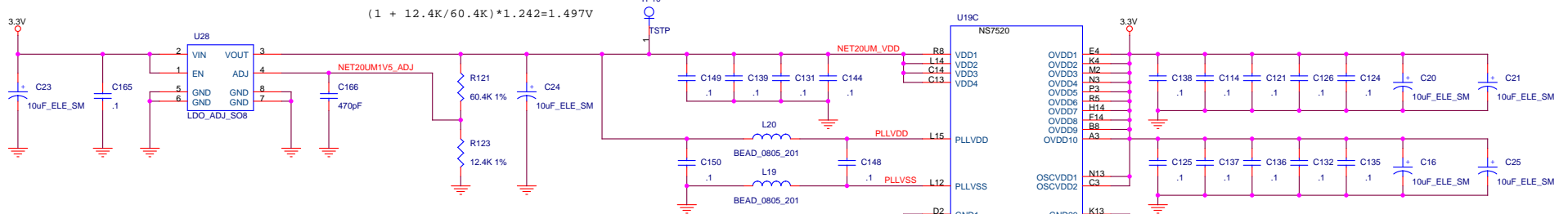
## REF SCH1952000

DESIGNER: Jan Szymorski

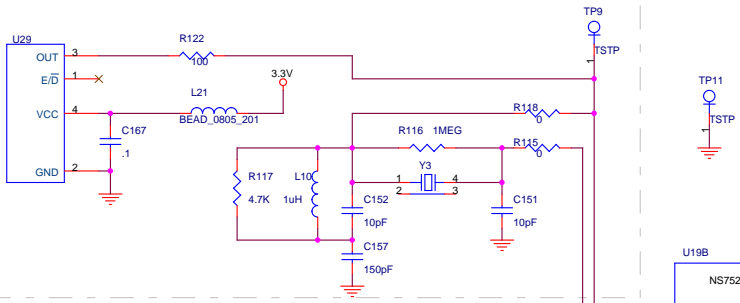
NetSilicon - A Digi International Company		
Title	NS7520 Cover Sheet	
Size B	Document Number	Rev C
	PAGE01.SCH	
Date:	Thursday, September 23, 2004	Sheet 1 of 13



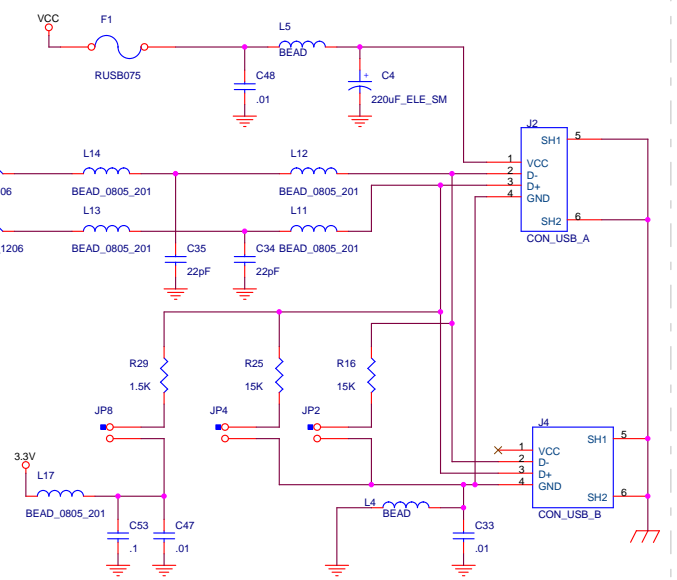




This circuitry is not functional - DO NOT USE!

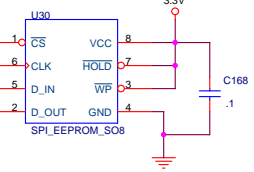
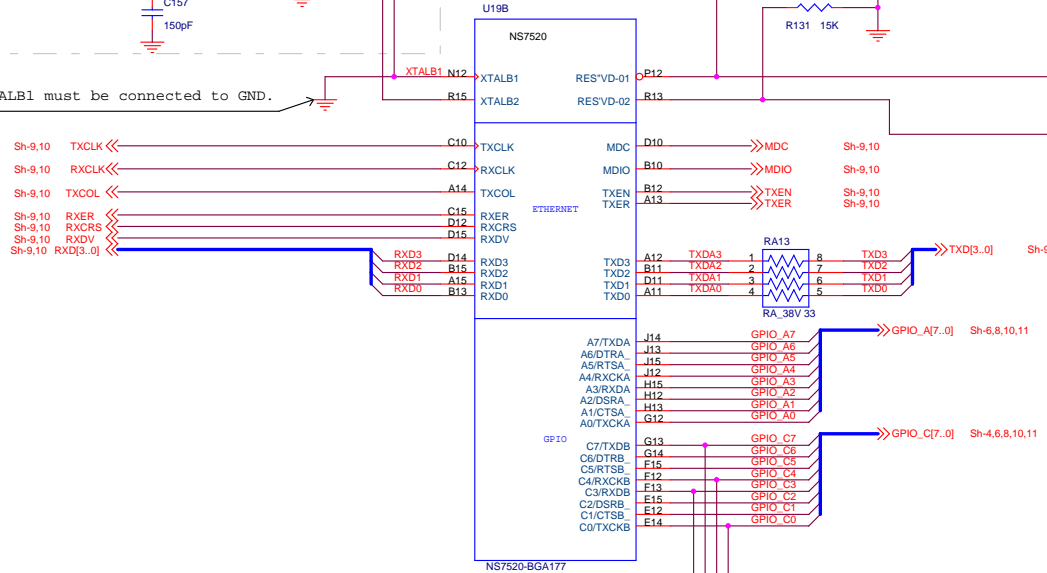


This circuitry is not functional - DO NOT USE!

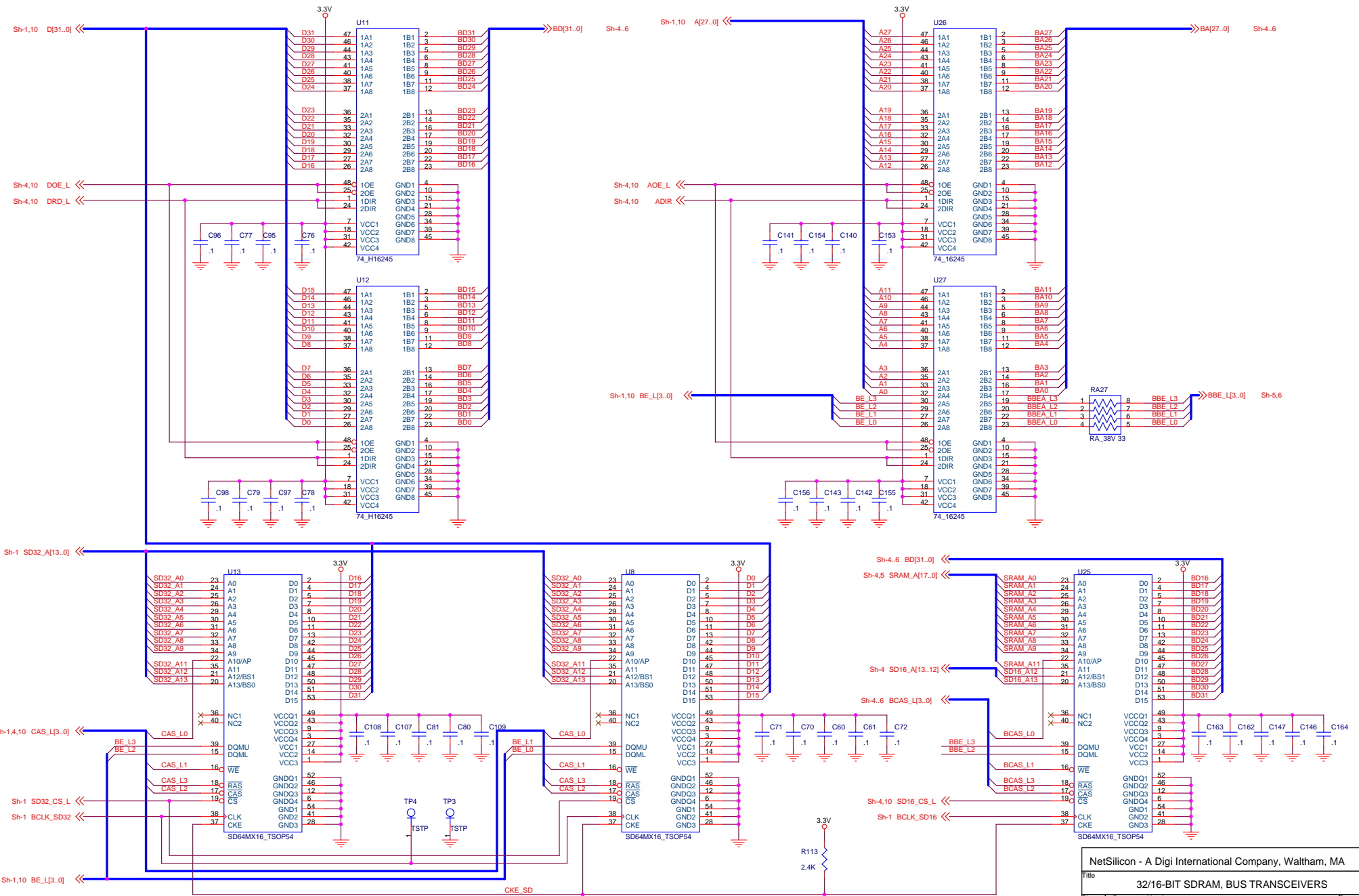


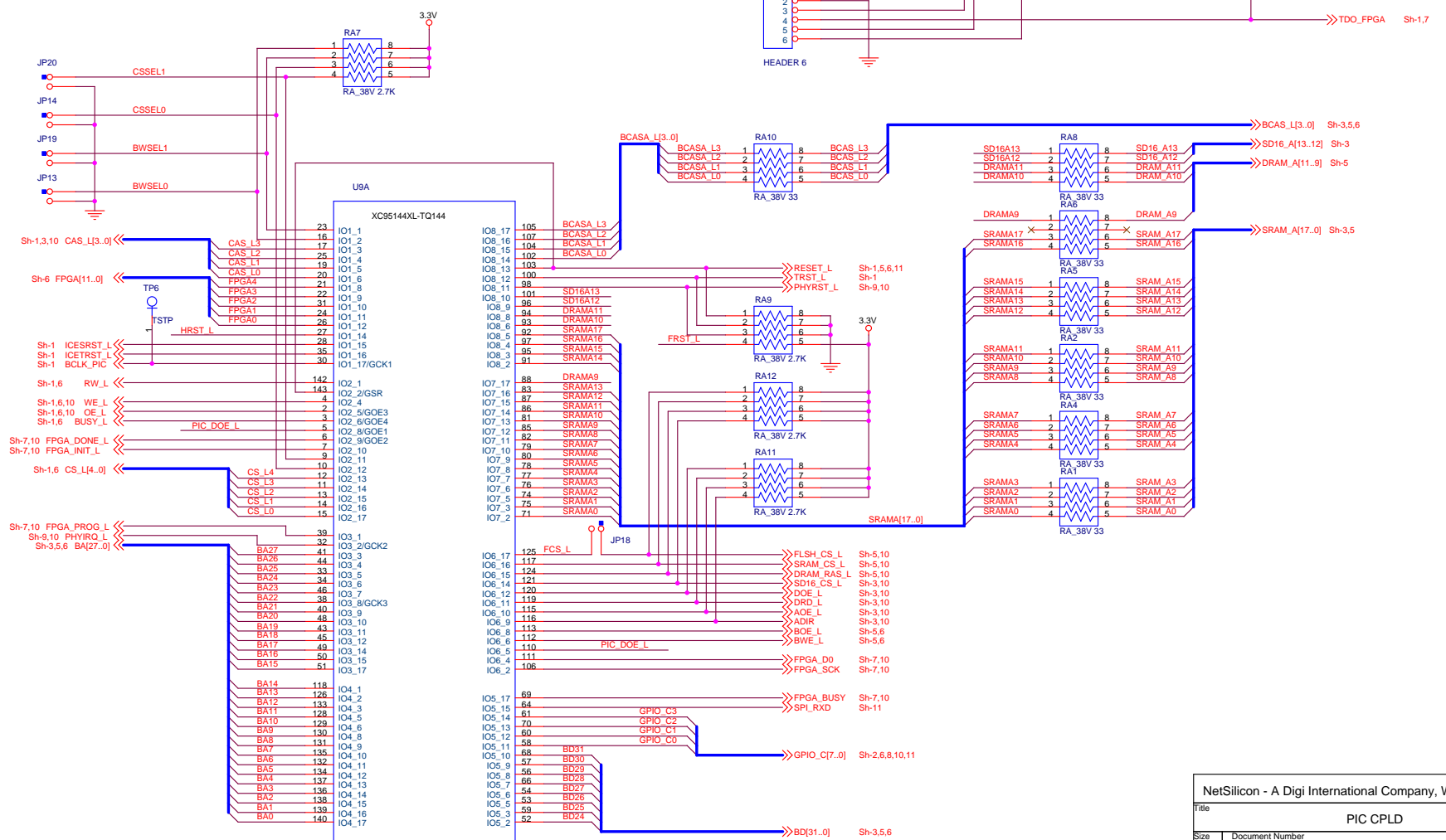
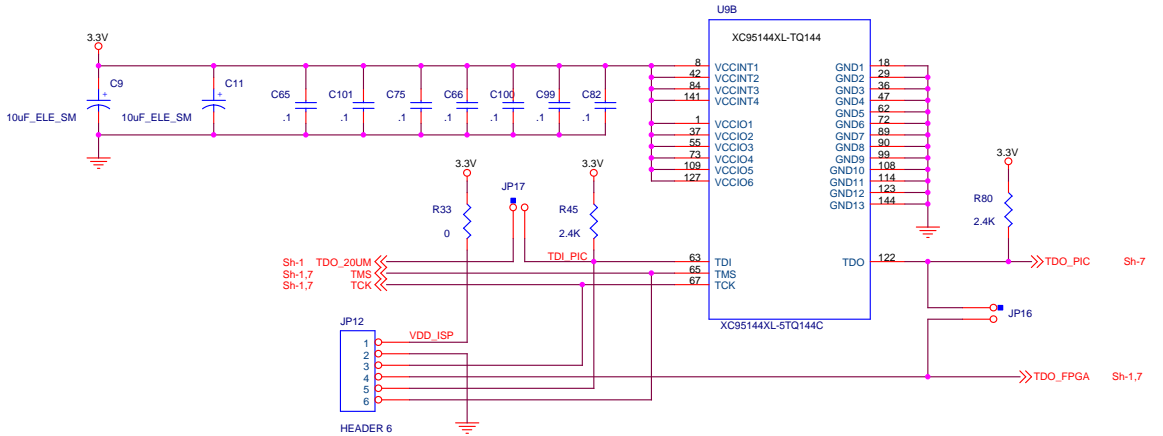
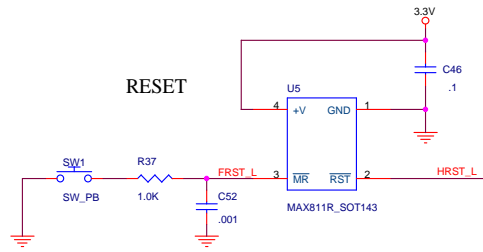
R130 and R131 are required termination.

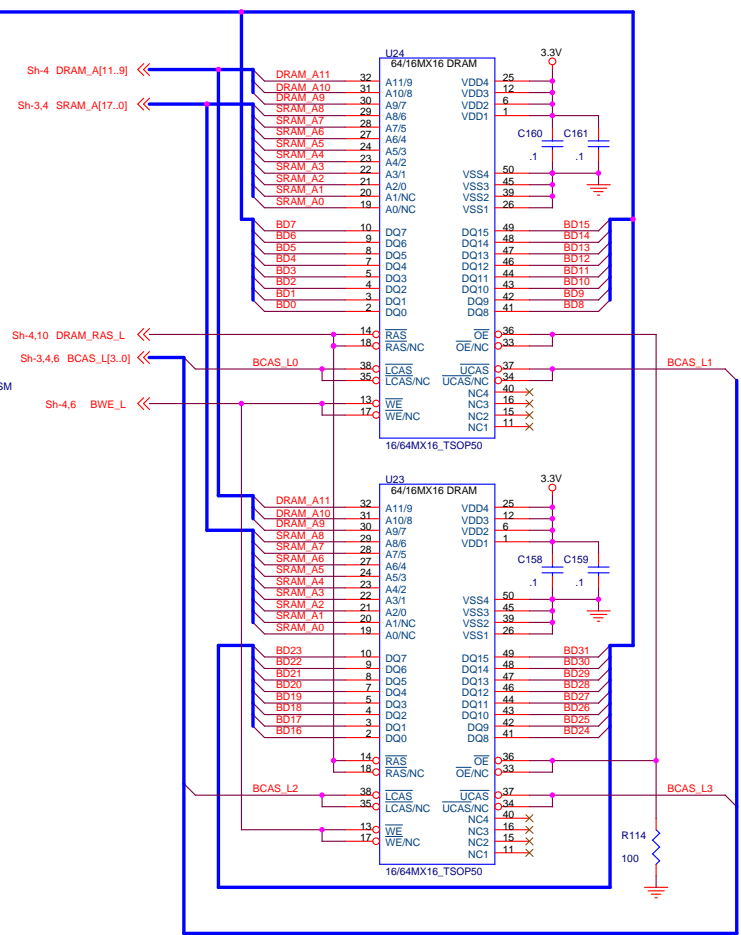
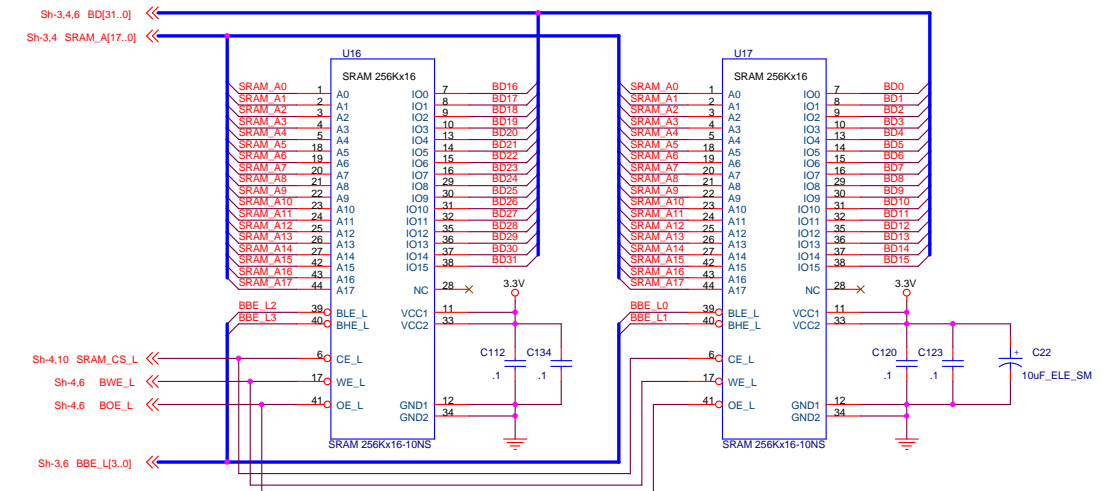
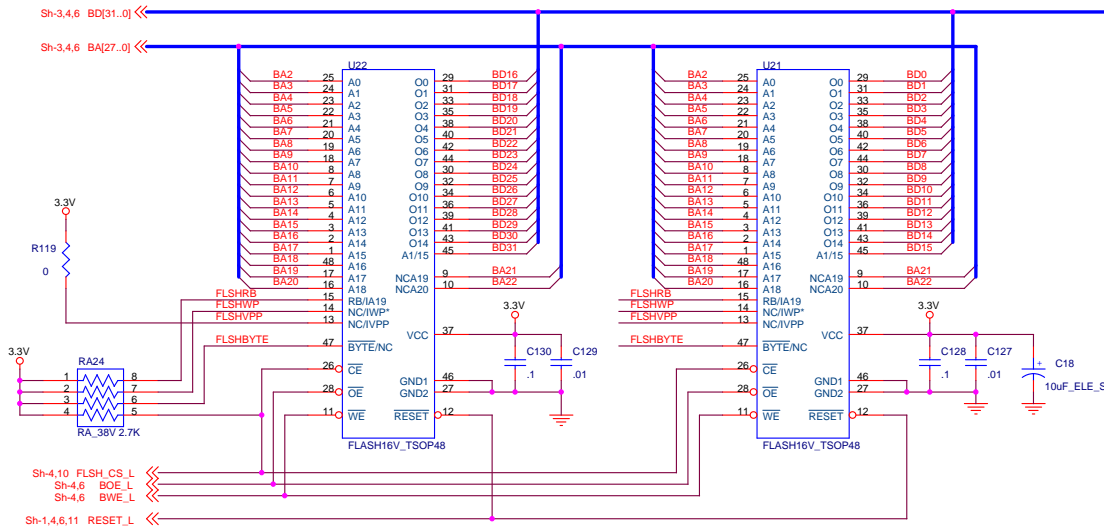
XTALB1 must be connected to GND.

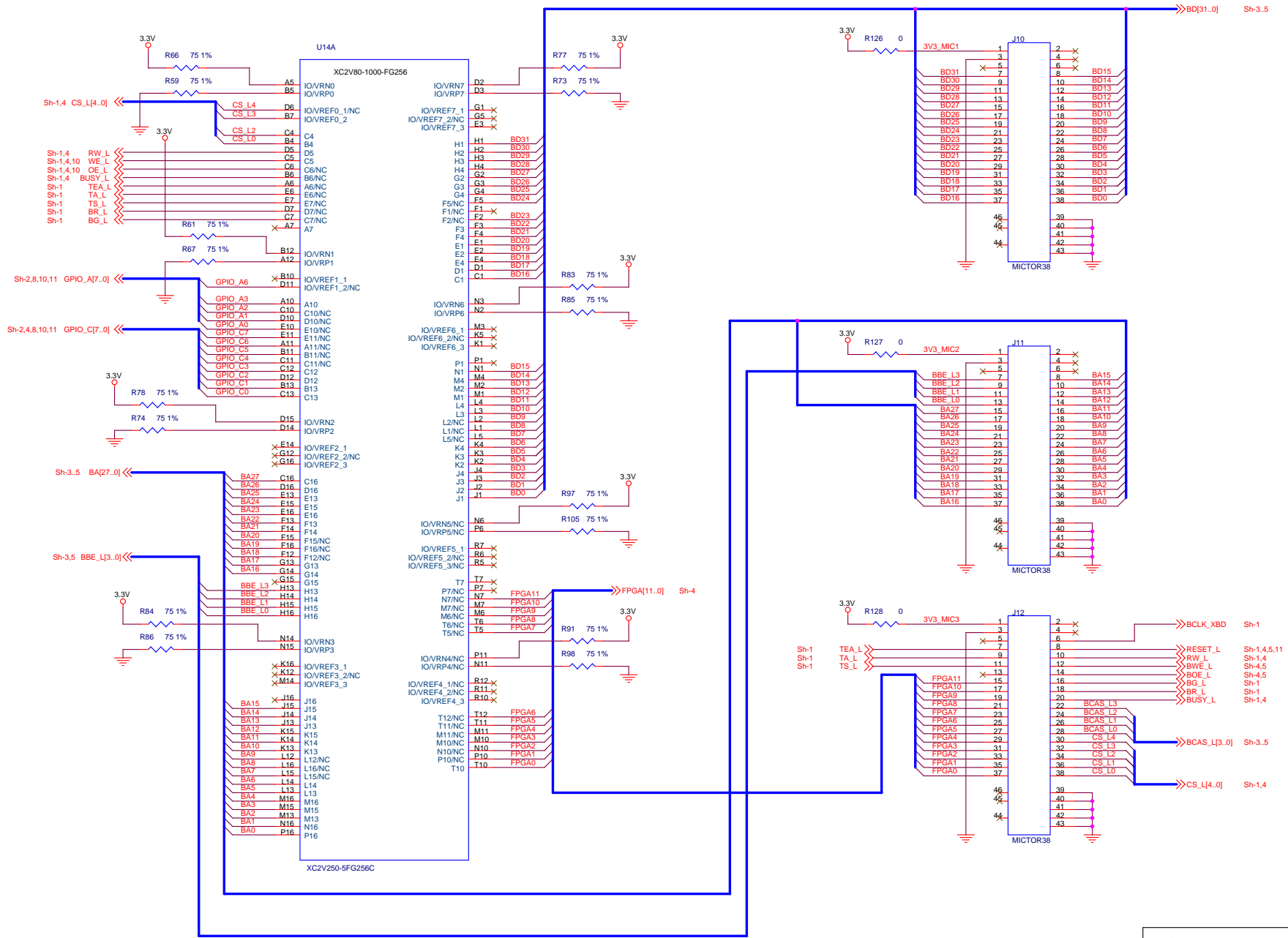


NetSilicon - A Digi International Company, Waltham, MA			
Title	CPU-B, & CPU-C		
Size	Document Number	PAGE04.SCH	Rev B
Date	Thursday, September 23, 2004	Sheet	4 of 13

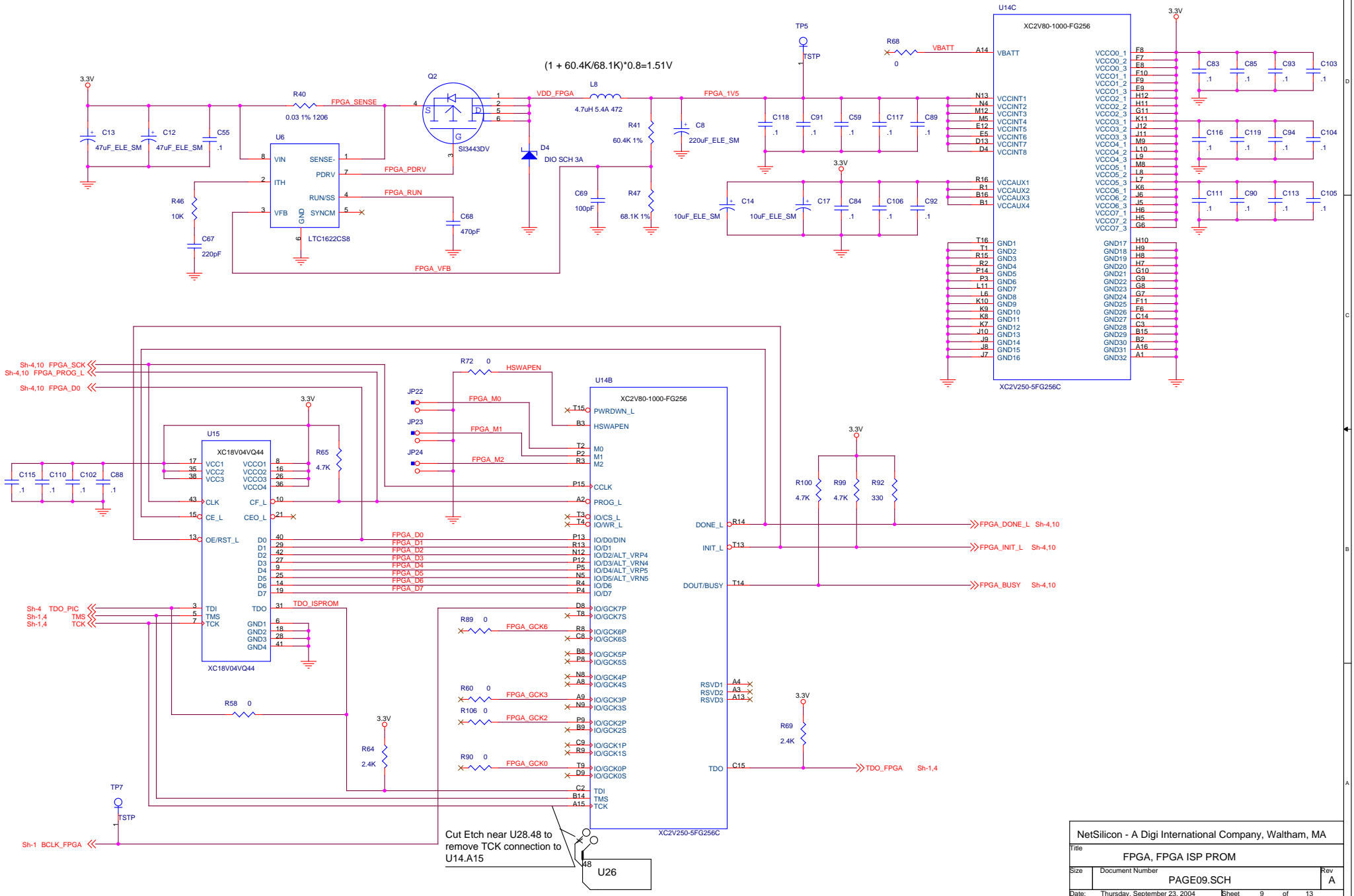


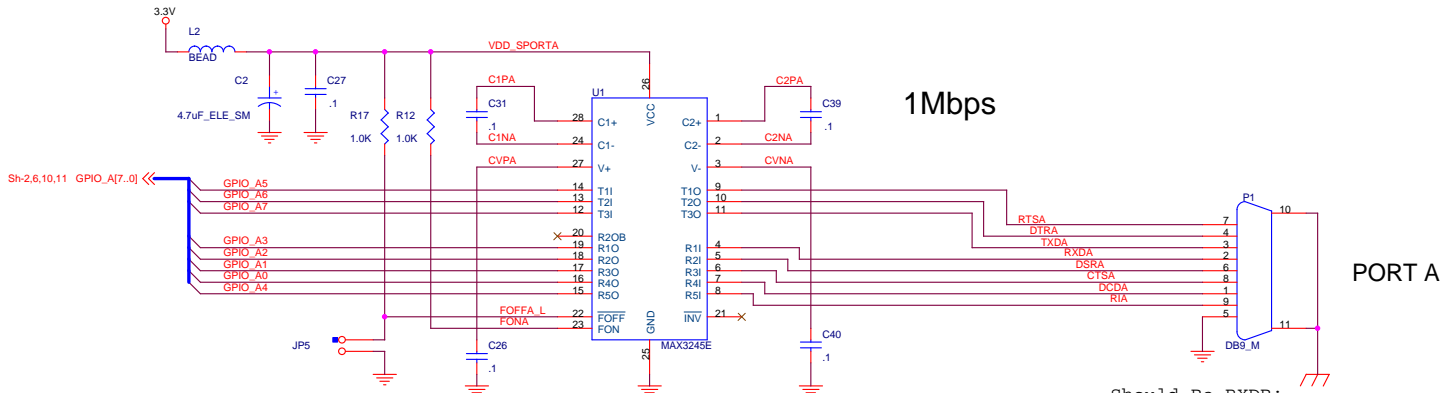




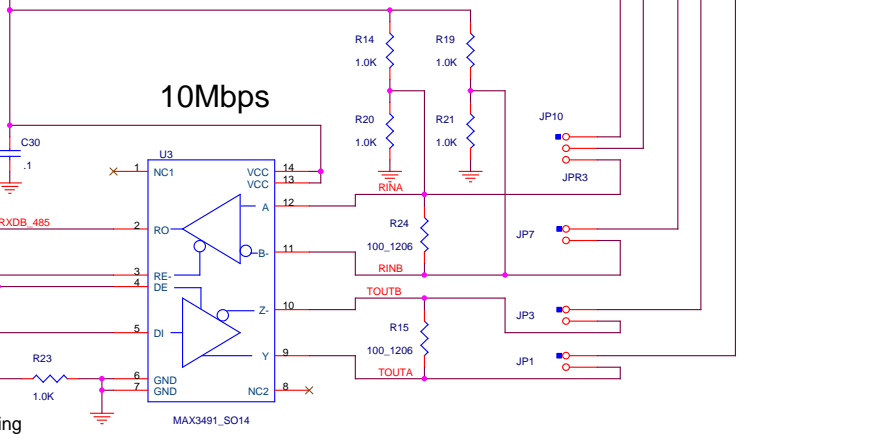
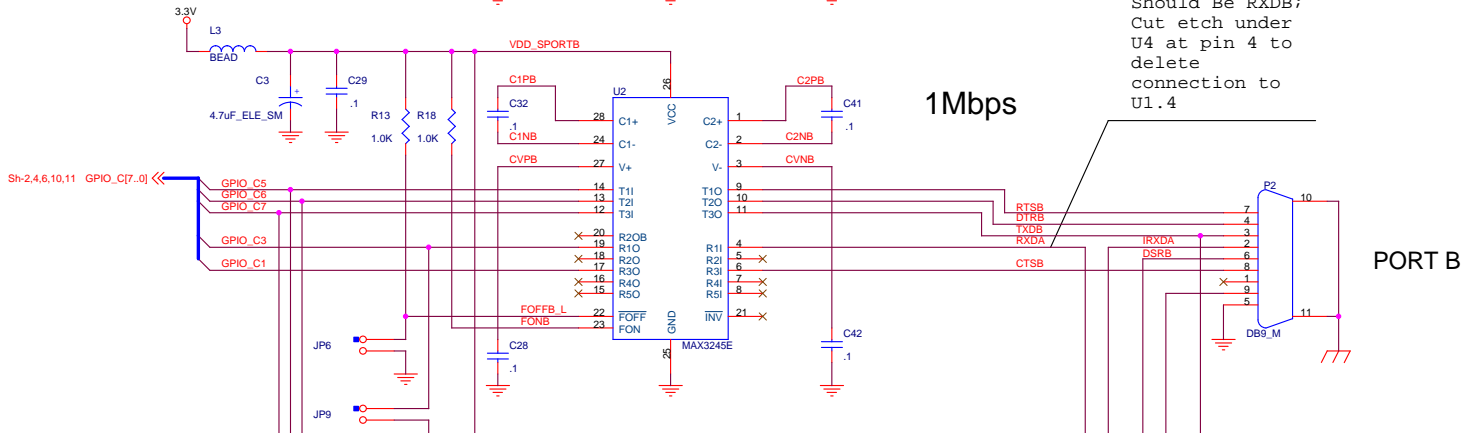








Should Be RXDB;  
Cut etch under  
U4 at pin 4 to  
delete  
connection to  
U1.4

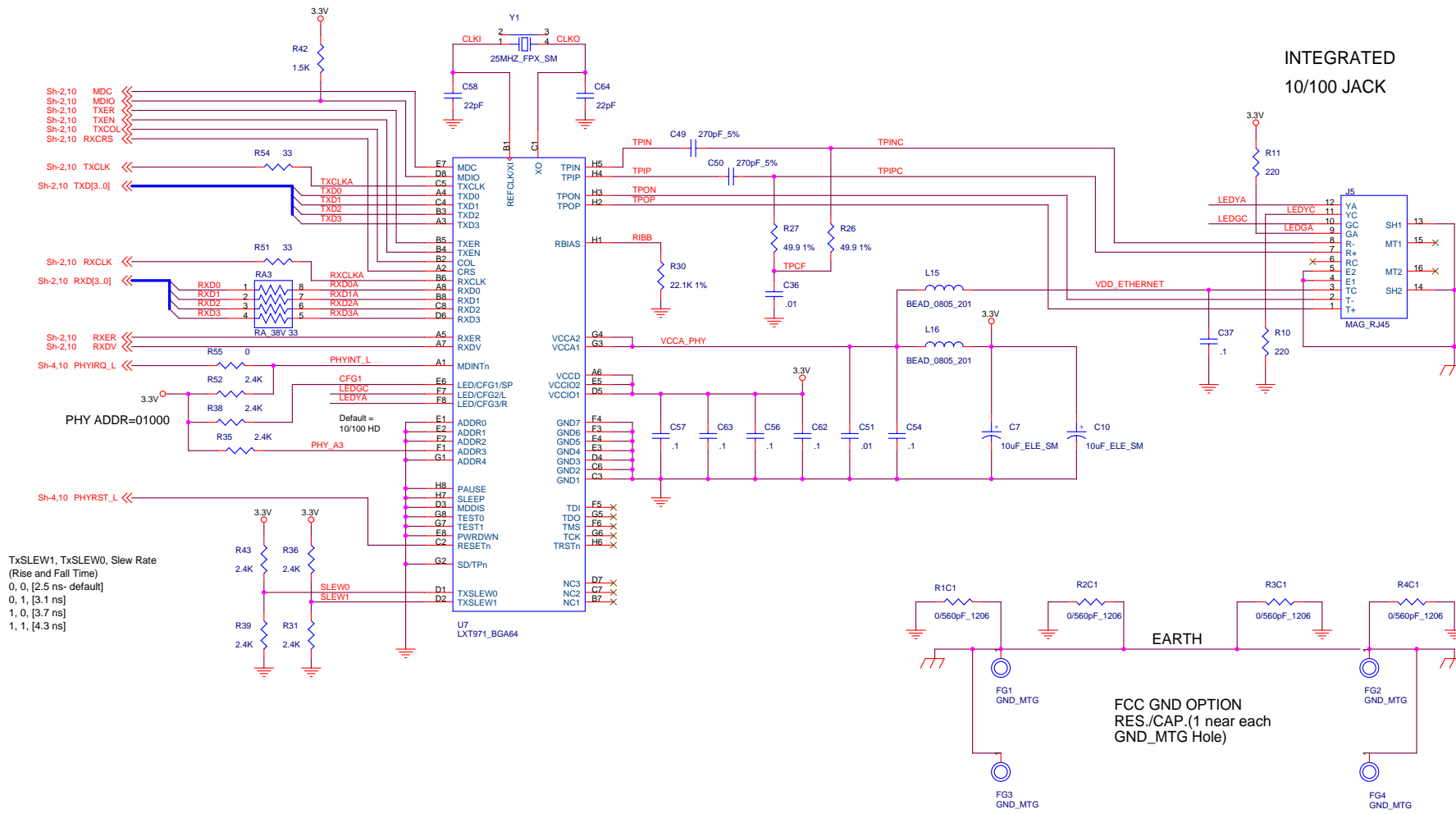


Keeps RS485 transmitter "OFF" during power-up

NetSilicon - A Digi International Company, Waltham, MA			
Title	SERIAL RS-232/485 PORT A & B		
Size	Document Number	PAGE10.SCH	Rev A
Date:	Thursday, September 23, 2004	Sheet	10 of 13

Intel 3V PHY

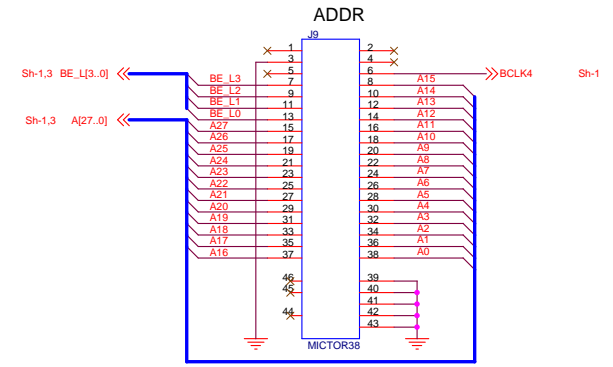
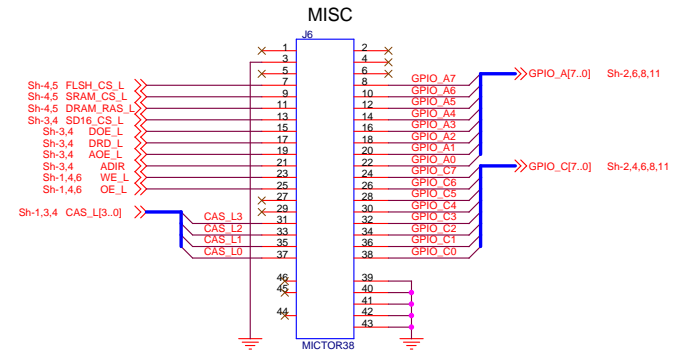
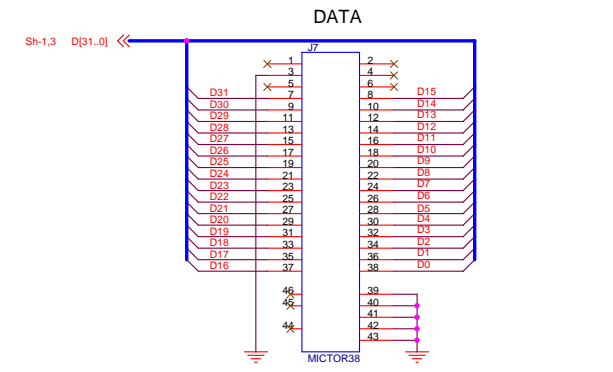
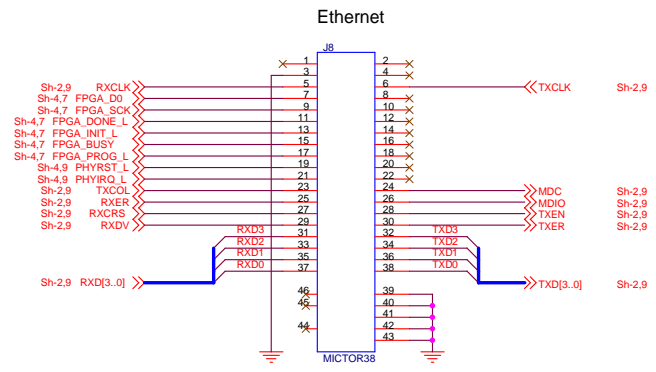
INTEGRATED  
10/100 JACK



TxSLEW1, TxSLEW0, Slew Rate  
(Rise and Fall Time)  
0, 0, [2.5 ns- default]  
0, 1, [3.1 ns]  
1, 0, [3.7 ns]  
1, 1, [4.3 ns]

FCC GND OPTION  
RES/CAP.(1 near each  
GND\_MTG Hole)

NetSilicon - A Digi International Company, Waltham, MA		
Title	ETHERNET INTERFACE	
Size	Document Number	Rev
	PAGE11.SCH	A
Date:	Thursday, September 23, 2004	Sheet 11 of 13



AMP #767054-1 Pin 44 = alignment hole; Pin 45-46 are for the optional latch securing holes.

NetSilicon - A Digi International Company, Waltham, MA		
Title MICTOR CONNS		
Size	Document Number	Rev
	PAGE12.SCH	A
Date:	Thursday, September 23, 2004	Sheet 12 of 13

