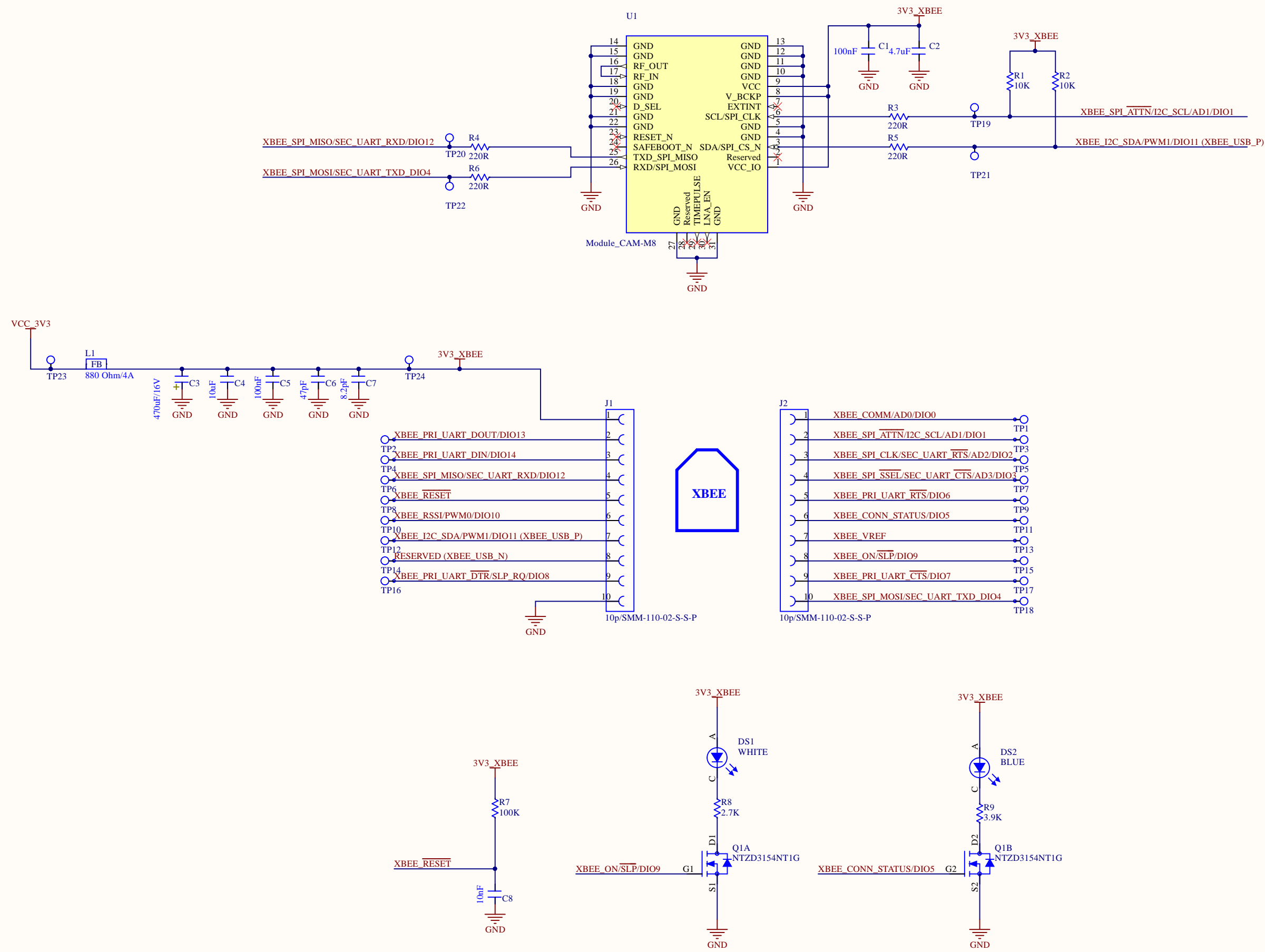


REV.	DATE	ENG.	CHANGES
*	1/23/2019	*	



EXCEPT AS MAY BE OTHERWISE PROVIDED BY CONTRACT, THIS DOCUMENT IS THE PROPERTY OF DIGI WDS. IF RELEASED TO OTHER SOURCES, IT SHALL BE RECEIVED BY SUCH SOURCES IN TOTAL CONFIDENCE AND SHALL NOT BE RELEASED TO ANY THIRD PARTY OR PARTIES, NOR USED FOR MANUFACTURE OR SALES OF THE ARTICLES WITHOUT PRIOR WRITTEN AUTHORIZATION.

DIGI
Connect with Confidence

Digi International Wireless Design Services
11001 Bren Road East
Minnetonka, MN 55343

CUSTOMER: *
PROJECT: *
PAGE TITLE: *

ENGINEER:	SIZE	CAGE NO.	VARIANT:	REV:
SYSTEM ENGINEER:	C	*	[No Variations]	*
DATE: 1/23/2019	SCALE:	SVN HEAD REV: 143422	SHEET	OF
JIRA EPIC:				