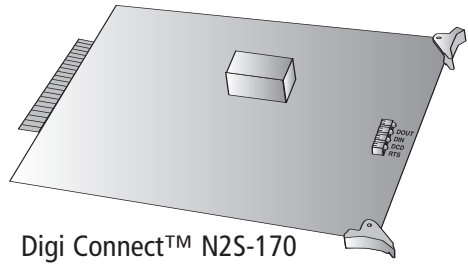


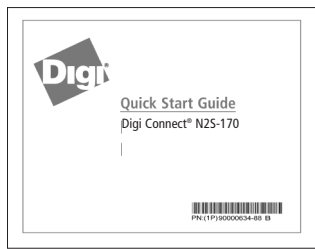
1 Verify kit contents



Digi Connect™ N2S-170



Software CD



Quick Start Guide



Quick Start Guide

Digi Connect® N2S-170

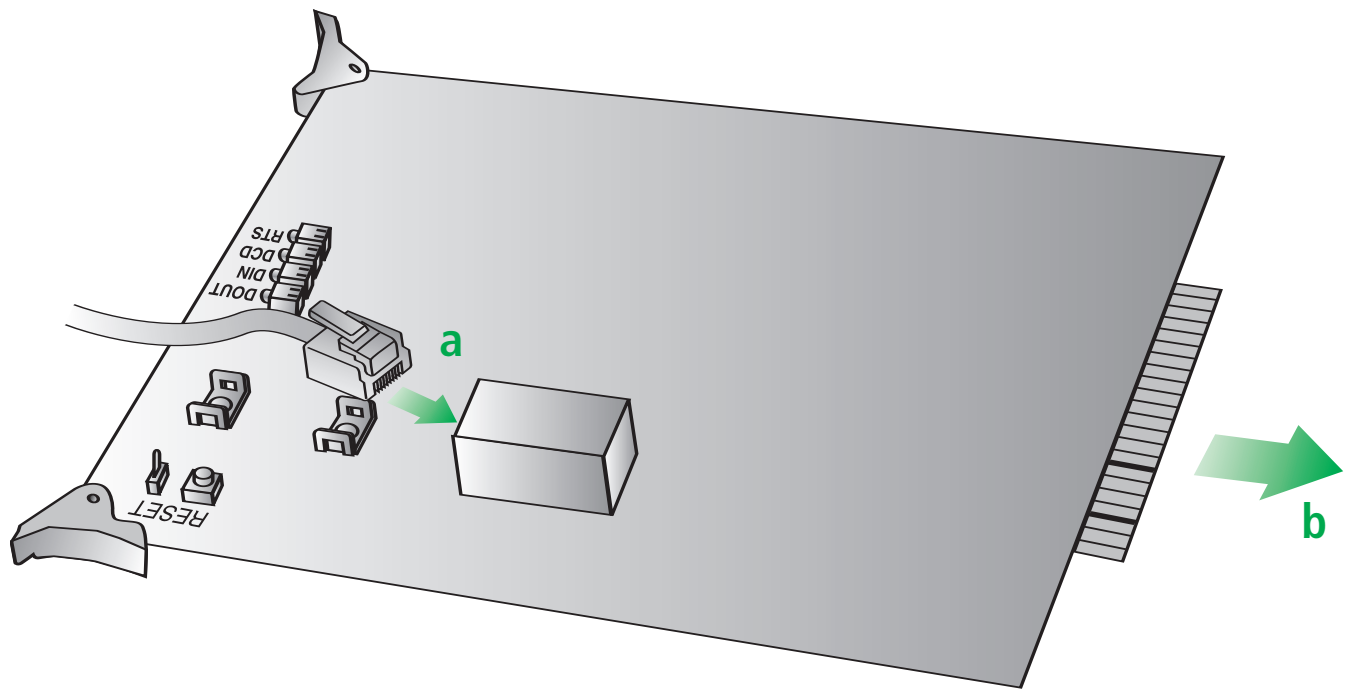


PN: (1P) 90000902-88 A

2 Install hardware

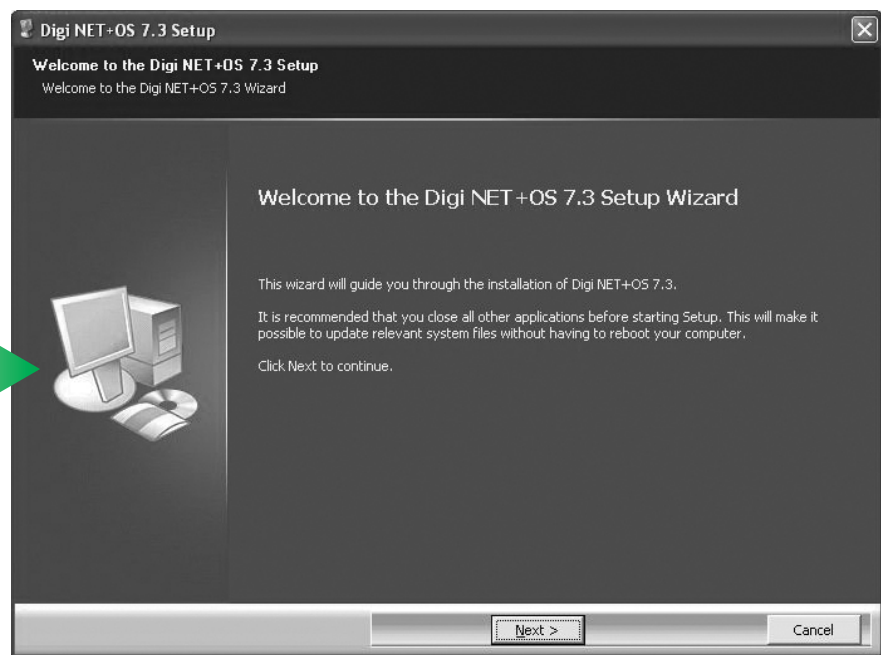
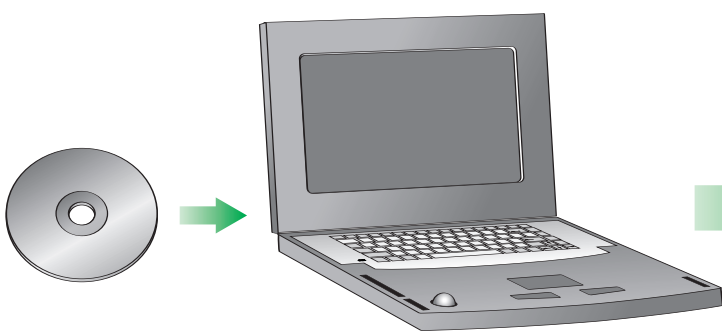
a Plug in Ethernet cable

b Insert N2S-170 into Traffic controller server



3 Run wizard

a Insert CD



b Follow wizard

c **Congratulations!**
The Connect N2S-170 is configured.
Go to the Connect User's Guide on the CD for more information.