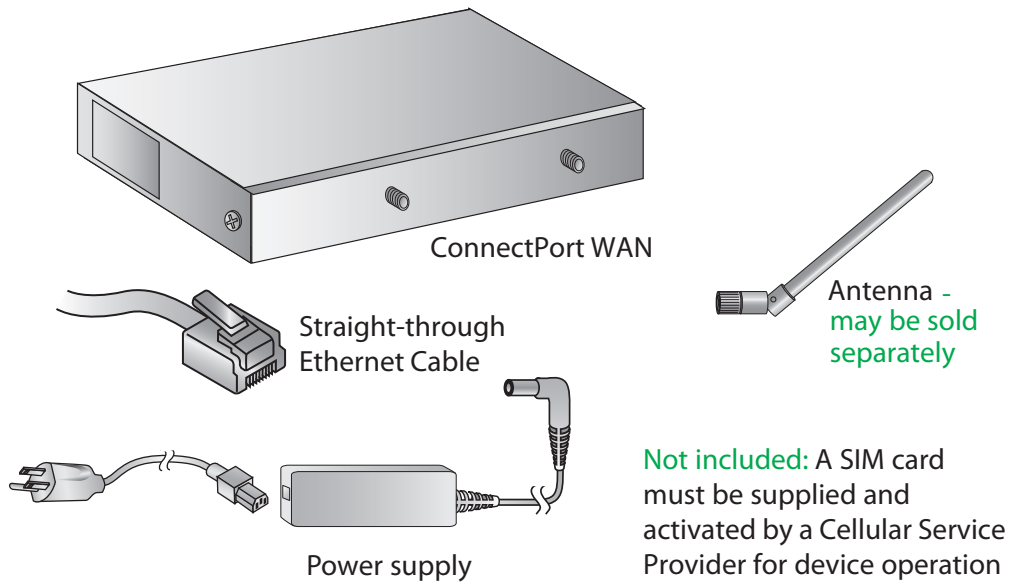


## 1 Verify kit contents



## Quick Start Guide

### ConnectPort™ WAN HSPA

90000809\_D

## 2 Connect hardware

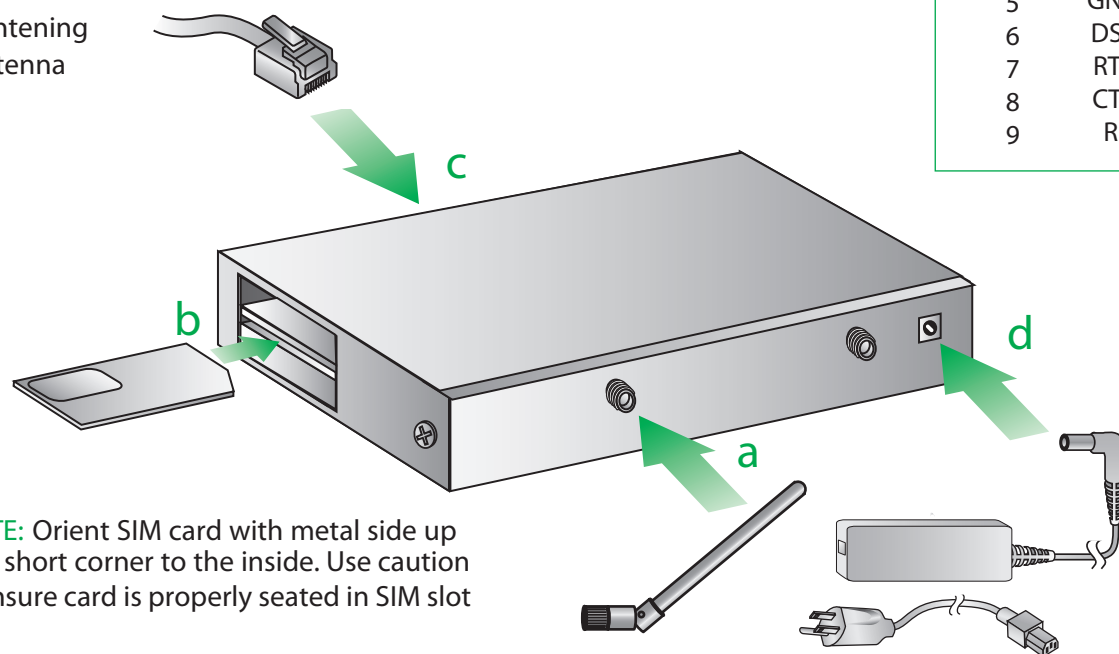
- a** Connect Antenna to primary connector

**NOTE:** Do not over-tighten antenna. Over-tightening may damage internal connections. Loosen antenna before adjusting antenna angles

- b** Insert SIM card

- c** Connect straight-through Ethernet Cable to a PC

- d** Connect power supply



DB9 Serial Pinout

DB9	RS232
1	DCD
2	RxD
3	TxD
4	DTR
5	GND
6	DSR
7	RTS
8	CTS
9	RI

## 3 Configure your cellular settings

- a** Open your web browser and enter the IP address 192.168.1.1 in the URL address bar

- b** From the web interface, under Configuration, click "Mobile." Enter your service provider name and connection parameters and click "Apply."

**NOTE:** The ConnectPort WAN has a DHCP server enabled by default. In order to discover your Digi device, make sure your host computer is set up to obtain IP addresses automatically. Also ensure all firewall software is temporarily disabled

## 4 Verify

- a** Your device has been properly provisioned and is active if the PPP session shows (connected)

- b** Remove the Ethernet cable and plug it back into the PC to update the DNS

- c** Open a web browser and enter a web site of your choice in the URL address bar of your browser and hit "enter" (e.g. www.digi.com)

- d** For additional information about your cellular connection, go to Administration>System Information>Mobile and reference the User's Guide provided on the Digi support site (www.digi.com/support/)