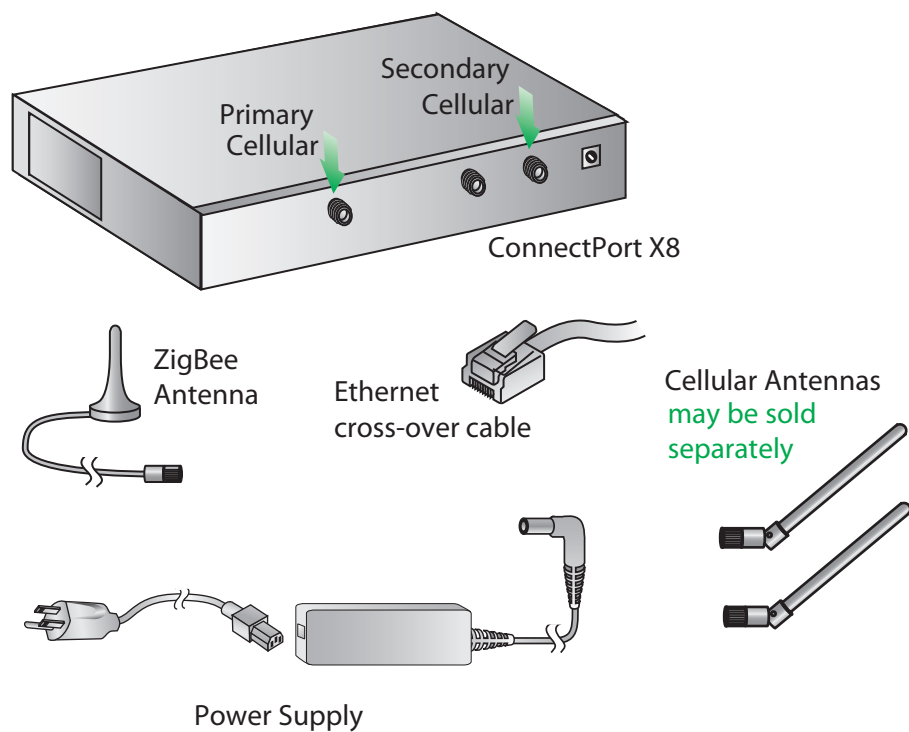


1 Verify kit contents



Quick Start Guide

ConnectPort™ X8 CDMA Provisioning

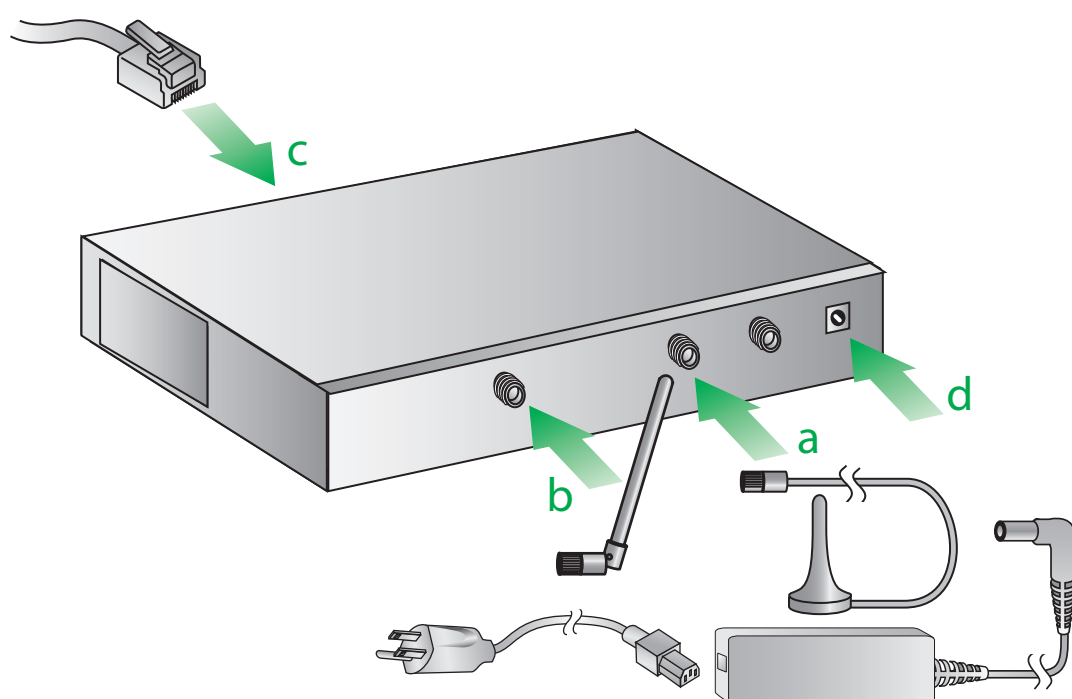
9000802_B

2 Connect hardware

- Connect Zigbee antenna
- Connect cellular antennas. Connect antenna to primary cellular on front of ConnectPort X8 if connecting two antennae they must be 20 cm away from each other

NOTE: Make sure to use a male antenna for a female connection or a female antenna for a male connection.

- Connect Ethernet cross-over cable to a PC and the Ethernet port located on the back of the module
- Connect power supply. Add the appropriate plug and connect power supply



3 Configure your cellular settings

- Open your web browser and enter the IP address 192.168.1.1 in the URL address browser
- From the web interface, under Configuration, click Mobile. Enter your service provider name and connection parameters and click "Apply."
For CDMA carriers that support Over-the-Air provisioning, select "Click Here" to automatically provision the device, then click "Apply."

Your device is now configured. If you would like to verify your connections go to steps 4 and 5

NOTE: If you have difficulty discovering your device, make sure your host computer is set up to obtain IP addresses automatically (DHCP server is enabled by default on the device). Also ensure all firewall software is temporarily disabled

4 Discover Zigbee Mesh Network

- Under Administration, click System Information > Mesh Network
- Click Discover Mesh Network. You should see the devices on your mesh network

5 Validate Internet connection

- Disconnect the Ethernet cross-over cable and reconnect it. This will re-establish the Ethernet connection by assigning a new IP address through the DHCP server
- To verify your Internet connection, enter a website of your choice (e.g. www.digi.com) in the URL address bar of your browser and click "enter." Connecting to a website indicates the connection is working

For additional information about your cellular connection, click System Information > Mobile or reference the User's Guide provided on the Digi support site (www.digi.com/support/)