

COPYRIGHT ©2018 DIGI INTERNATIONAL,
UNPUBLISHED WORK - ALL RIGHTS RESERVED.

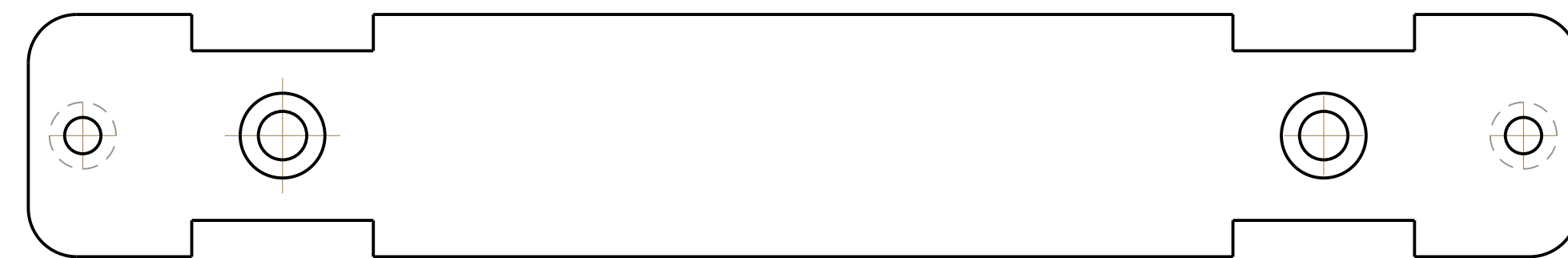
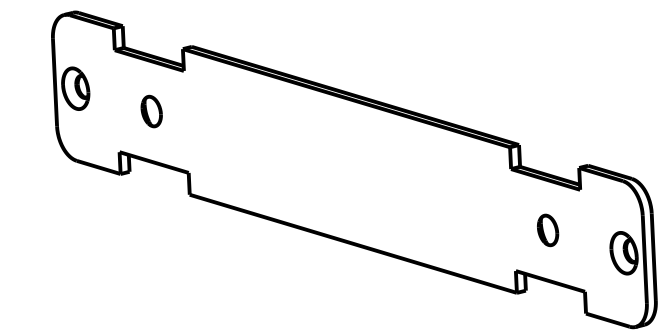
BALLOON DESIGNATION SYMBOL
1 ← ITEM NUMBER
2 ← NOTE REFERENCE

THIS DOCUMENT CONTAINS PROPRIETARY INFORMATION AND, EXCEPT WITH WRITTEN PERMISSION OF DIGI, SUCH INFORMATION SHALL NOT BE PUBLISHED OR DISCLOSED TO OTHERS, OR USED FOR ANY PURPOSE AND THE DOCUMENT SHALL NOT BE COPIED IN WHOLE OR IN PART

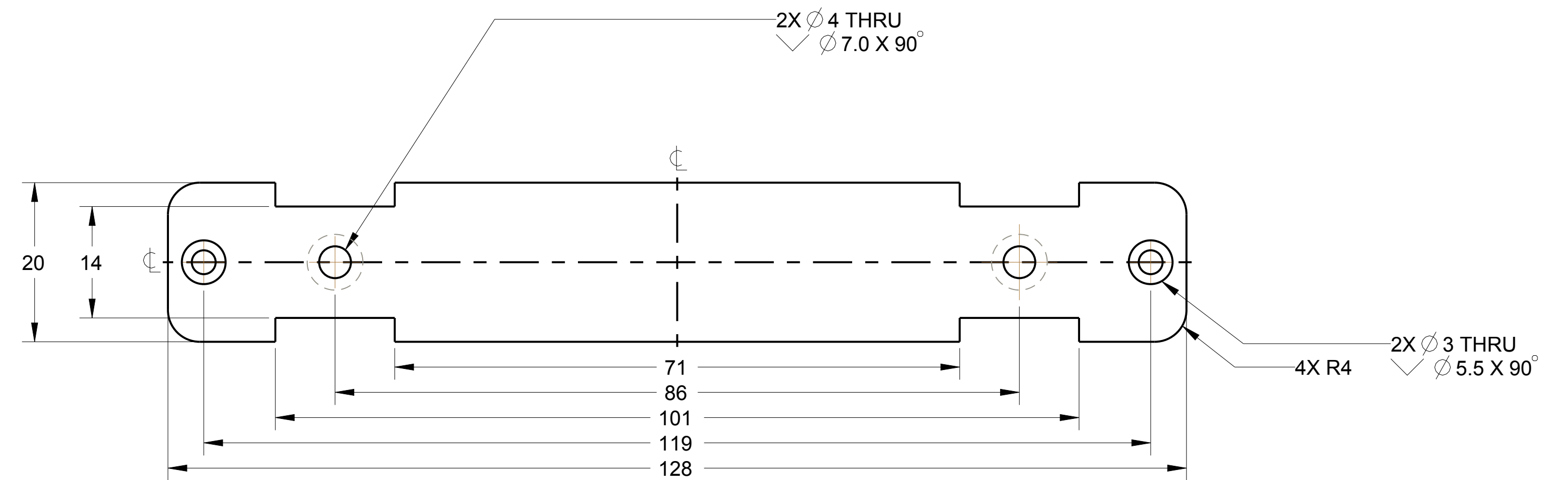
REVISION HISTORY				
REV	ECO	DESCRIPTION	DATE	DRW/CHK
A		NEW RELEASE	03AUG11	TJM/TJM
B	008755	UPDATE TITLE BLOCK AND LOGO	04JUN18	AJH/TJM
C	008987	CORRECT ERROR MADE ON REVISION B	03AUG18	AJH/TJM

NOTES: UNLESS OTHERWISE SPECIFIED

1. MATERIAL: STAINLESS STEEL 1.5MM THICKNESS.
2. REMOVE BURRS AND SHARP EDGES PER STANDARD COMMERCIAL PRACTICE.
3. DIMENSIONS OF FORM AND LOCATION APPLY TO PART IN THE UNRESTRAINED CONDITION.
4. FINISHED PART SHALL BE ROHS COMPLIANT PER 2011/65/EU. THE FACILITY PERFORMING THIS WORK SHALL PERFORM TESTS OR OBTAIN TESTING INFORMATION THAT CONFIRMS COMPLIANCE. TEST RECORDS SHALL BE MADE AVAILABLE UPON REQUEST.
5. ALL SHIPMENTS TO INCLUDE CERTIFICATE OF CONFORMANCE.



BACK VIEW



<p>UNLESS OTHERWISE SPECIFIED</p> <p>ALL DIMENSIONS AND TOLERANCES ARE IN MILLIMETERS AND SHALL BE INTERPRETED PER ASME Y14.5M - 1994.</p> <p>DRAWING TOLERANCES ARE AS FOLLOWS:</p> <p>FRACTIONS DECIMALS ANGLES ± 1/64 ±.5 ±1° ±.1 X.05</p> <p>THIRD ANGLE PROJECTION</p>	DESIGNER/ENGINEER: T.MILLER	DATE: 04-Jun-18	<p>DIGI INTERNATIONAL 11001 BREN ROAD EAST MINNETONKA, MN 55343</p>	
	HW ENGINEER: T.MILLER	DATE: 04-Jun-18		TITLE WR21 DIN RAIL MOUNTING BRACKET
	MFG/OPS: T.MILLER	DATE: 04-Jun-18		SIZE CAGE CODE DWG NO D O8TP3 60001283-01
	DRAFTER: A.HARTZLER	DATE: 04-Jun-18		REV B1
	PRODUCT MANAGER: J.HARTZLER	DATE: 04-Jun-18	SCALE NTS DO NOT SCALE DRAWING SHEET 1 OF 1	

-PROENGINEER GENERATED DRAWING -