

Features

- Line speeds: to 5Mbps—EIA-530/X.21
to 2.5 Mbps—V.35
to 90 Kbps—Synch. EIA-232
to 144 Kbps—Async. EIA-232
- Full modem control
- DMA channels for full duplex operation
- 16KB or Full 256KB shared memory window
- Software configurable
- SurgeBlock surge protection

Specifications

Power

- 1.5 A @ =5 VDC
- 90 mA @ +/- 12 VDC

Environmental

- Temperature: 10° C to 55° C
- Relative Humidity: 5% to 90%, non-condensing
- SurgeBlock: Standard

Copyright

© Digi International Inc. 1997 All Rights Reserved

The Digi logo is a trademark of Digi International Inc. All other brand and product names are the trademarks of their respective holders.

Information in this document is subject to change without notice and does not represent a commitment on the part of Digi International.

Digi provides this document "as is," without warranty of any kind, either expressed or implied, including, but not limited to, the implied warranties of fitness or merchantability for a particular purpose. Digi may make improvements and/or changes in this manual or in the product(s) and/or the program(s) described in this manual at any time.

This product could include technical inaccuracies or typographical errors. Changes are periodically made to the information herein; these changes may be incorporated in new editions of the publication.

Four-port Universal Interface Card for SYNC/570i (PCI)



Synchronous Communications
Controller

Installation Instructions

Introduction

Digi's four port Universal Interface Card can automatically determine, from the cable, the interface bus type to use with the peripheral device. That is, you can select an interface type for the adapter (V.35, X.21, EIA-530, or EIA-232) just by connecting the appropriate cable between the peripheral device and the quad-cable attached to the adapter. Each of the ports on the quad cable can use the same or a different type of interface cable, giving you the flexibility to use one adapter to connect to peripherals with different interface types.

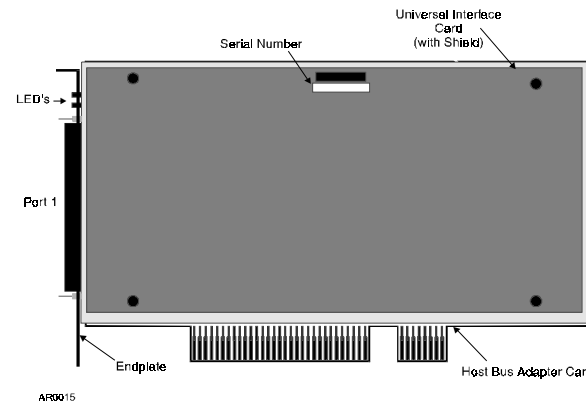


Figure 1: SYNC/570i and Universal Interface Card

Installing the Adapter

Before you begin

Before installing the SYNC/570i adapter and daughter card, you should do the following:

- Be sure that you have the correct cables for the interface type(s) you will use with the SYNC/570i. Depending on the package you ordered, you will have up to four peripheral cables in addition to the quad-cable.
- Record the adapter's serial number (located under the part number label as shown in Figure 1), which will enable Digi to provide you with better service, should the need arise.
- Unplug power from the PC.
- Discharge static electricity from your body by touching a grounded surface (prior to handling the adapter).
- Put a ground strap on to ground yourself. (If one is not available, ground yourself by touching an unpainted metal surface, such as the computer's chassis.)

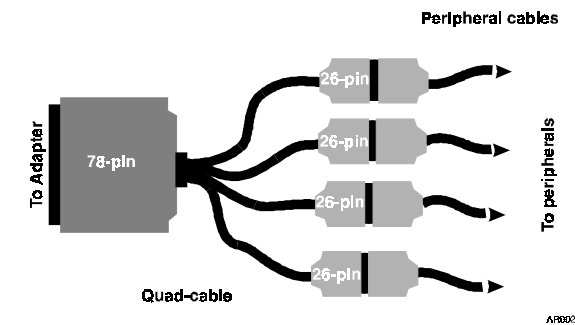


Figure 2: Four-port Interface Cabling Scheme

Installation Procedure

1. Install the adapter.
 - a. Remove the computer's cover.
 - b. Locate an available PCI slot in your computer and remove the slot plate.
 - c. Insert the adapter into the slot and screw the endplate to the computer chassis. The endplate must be screwed into the computer chassis to remain in compliance with Part 15 of FCC rules.
 - d. Replace the computer's cover.

2. Connect cables. (See Figure 2.)
 - a. Attach the end of the quad-cable with the HDD 78-pin connector to the adapter port.
 - b. Attach peripheral cables to the HDD 26-pin connectors on the end of the quad cable. Because the HDD-26 end of the peripheral cables do *not* have a label, take care when making this connection. For example, both ends of the X.21 peripheral cable look similar. (You need not use all of the ports on the quad-cable.)
 - c. Attach the other end of the peripheral cables to peripherals. (Additional cabling information is provided on this card.)
3. Boot the computer.

Note: The LEDs showing through the faceplate on the adapter will not light until a driver is loaded and the adapter initialized. With the Digi driver loaded, the green LED will light to indicate that the adapter is in a "ready" state. The amber LED will light when data is passed to the peripheral device.

4. Run Digi's diagnostics program.

The SYNC/570i PCI diagnostics are supplied on a diskette that is shipped with the adapter. You should run the diagnostics to verify that you can communicate with the peripheral devices. Refer to the text file on the diskette for information on using the diagnostics.

What next?

Install and configure the software for the Digi SYNC/570i PCI Board.

Usage Note

- If you change the interface of a port (by changing the interface cable) while your system is up, the new interface may not be recognized until the driver is restarted.

If you have a problem

- If you have a problem booting your system after installation of your SYNC/570i adapter, you should call Technical Support for assistance.

Cabling Information

The cables included with your adapter are designed with custom components and cannot be independently manufactured. If you require multiple peripheral cables of one type, you may order additional cables from Digi. To extend the length of a Digi cable, use standard interface cabling between the end of Digi's cable and the peripheral.

Interface Pinouts

Each peripheral cable provided by Digi has a 26-pin HDD connector on one end, which attaches to a port on the quad-cable. The other end of the cable will provide signals according to the interface standards. The pinouts for each of the cables is provided next.

EIA-232, Male DB-25 Connector

| Pin | Description | Pin | Description |
|-------------|-------------|-----|-------------|
| 2 | TXD | 20 | DTR |
| 3 | RXD | 6 | DSR |
| 15 | TXCIN | 8 | DCD |
| 17 | RXC | 24 | TXCOUT |
| 4 | RTS | 22 | RI |
| 5 | CTS | 7 | GND |
| 1 and shell | CGND | | |

V.35, Male 34-pin Connector

| Pin | Description | Pin | Description |
|-----|-------------|-----|-------------|
| A | CGND | R | RXD(A) |
| B | GND | T | RXD(B) |
| C | RTS | U | TXCLKOUT(A) |
| D | CTS | W | TXCLKOUT(B) |
| E | DSR | V | RXCLK(A) |
| F | DCD | X | RXCLK(B) |
| H | DTR | Y | TXCLKIN(A) |
| P | TXD(A) | AA | TXCLKIN(B) |
| S | TXD(B) | | |

X.21, Male DB-15 Connector

| Pin | Description | Pin | Description |
|-----|--------------|-------------|---------------|
| 2 | TXD(A) | 12 | Indicator(B) |
| 9 | TXD(B) | 6 | SETI(A)* |
| 3 | Control(A) | 13 | SETI(B)* |
| 10 | Control(B) | 7 | SETO(A)** |
| 4 | RXD(A) | 14 | SETO(B)** |
| 11 | RXD(B) | 8 | Signal Ground |
| 5 | Indicator(A) | 1 and shell | CGND |

* SETI=Signal Element Timing In

** SETO=Signal Element Timing Out

EIA-530, Male DB-25 Connector

| Pin | Description | Pin | Description |
|-----|-------------|-------------|---------------|
| 2 | TXD(A) | 13 | CTS(B) |
| 14 | TXD(B) | 20 | DTE Ready(A) |
| 3 | RXD(A) | 23 | DTE Ready(B) |
| 16 | RXD(B) | 6 | DCE Ready(A) |
| 15 | TXCLKIN(A) | 22 | DCE Ready(B) |
| 12 | TXCLKIN(B) | 8 | RLSD(A)* |
| 17 | RXCLK(A) | 10 | RLSD(B)* |
| 9 | RXCLK(B) | 24 | TXCLKOUT(A) |
| 4 | RTS(A) | 11 | TXCLKOUT(B) |
| 19 | RTS(B) | 7 | Signal Ground |
| 5 | CTS(A) | 1 and shell | CGND |

* RLSD=Received Line Signal Detector

Regulatory Notices

Federal Communications Commission (FCC) Statement

Radio Frequency Interference (RFI) (FCC 15.105)

This device has been tested and found to comply with the limits for Class B digital devices pursuant to Part 15 Subpart B, of the FCC Rules. These limits are designed to provide reasonable protection against harmful interference in a residential environment. This equipment generates, uses, and can radiate radio frequency energy, and if not installed and used in accordance with the instruction manual, may cause harmful interference to radio communications. However, there is no guarantee that interference will not occur in a particular installation. If this equipment does cause harmful interference to radio or television reception, which can be determined by turning the equipment off and on, the user is encouraged to try and correct the interference by one or more of the following measures:

- Reorient or relocate the receiving antenna.
- Increase the separation between the equipment and the receiver.
- Connect the equipment into an outlet on a circuit different from that to which the receiver is connected.
- Consult the dealer or an experienced radio/TV technician for help.

Labeling Requirements (FCC 15.19)

This device complies with Part 15 of FCC rules. Operation is subject to the following two conditions: (1) this device may not cause harmful interference, and (2) this device must accept any interference received, including interference that may cause undesired operation.

Modifications (FCC 15.21)

Changes or modifications to this equipment not expressly approved by Digi may void the user's authority to operate this equipment.

Declaration Of Conformity

(In accordance with FCC Dockets 96-208 and 95-19)

| | |
|------------------------------------|---|
| Manufacturer's Name: | Digi International |
| Corporate Headquarters: | 11001 Bren Road East Minnetonka MN 55343 |
| Manufacturing Headquarters: | 10000 West 76th Street Eden Prairie MN 55344 |

Digi International declares, that the product:

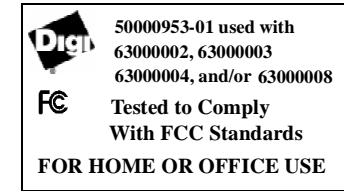
| | |
|-----------------------|--|
| Product Name: | SYNC/570i PCI |
| Model Numbers: | 50000953-01 used with 63000002, 63000003, 63000004 and/or 63000008 |

To which this declaration relates, meets the requirements specified by the Federal Communications Commission as detailed in the following specifications

- Part 15, Subpart B, for Class B Equipment
- FCC Docket 96-208 as it applies to Class B personal Computers and Peripherals

The product listed above has been tested at an External Test Laboratory certified per FCC rules and has been found to meet the FCC, Part 15, Class

B, Emission Limits. Documentation is on file and available from the Digi International Homologation Department.



Industry Canada

This Class B digital apparatus meets the requirements of the Canadian Interference Causing Equipment Regulations.

Cet appareil numérique de la classe B respecte toutes les exigences du Règlement sur le matériel brouilleur du Canada.

European EMC Standards

This device meets the following electromagnetic emissions standards:

- EN55022
- EN50082-2

European TTE Standard

This device meets the I-CTR2 standard.

CE 168X

Safety Standards

This device meets the following safety standards:

- UL 1950
- CSA 22.2 No. 950
- EN60950