

RCM3XX9	RCM3209	RCM3229	RCM3309	RCM3319	RCM3900	RCM3910
FLASH	512K	512K	512K	512K	512K	512K
DATA SRAM	256K	256K	512K	512K	512K	512K
FAST SRAM	512K	512K	512K	512K	512K	512K
SERIAL FLASH	NO	NO	8MB	4MB	NO	NO
NAND FLASH	NO	NO	NO	NO	YES	NO
PE2 DECODER	NO	NO	NO	NO	YES	NO
STATUS LEDS	NO	NO	YES	YES	YES	YES
SD MINI CARD	NO	NO	NO	NO	YES	YES
EXTERNAL SERIAL PORT B	YES	YES	NO	NO	NO	NO
10/100 ETHERNET	YES	NO	YES	YES	YES	YES
ALTERNATE ENET CONNECTION	NO	NO	NO	NO	NO	NO
ALTERNATE ENET LED STATUS	NO	NO	NO	NO	NO	NO
IO READ & WRITE BUFFER	YES	YES	NO	NO	NO	NO
TARGET CORE	RCM3200	RCM3220	RCM3305	RCM3315	RCM3365	RCM3375

FLASH	
U8	256K 512K
JP11	1-2 2-3

FLASH BANK SELECT		
NORMAL MODE	BANK MODE	
JP12	1-2	2-3

DATA SRAM	
U9	256K 512K
JP13	1-2 2-3

FAST SRAM	
U66	NO 512K 15ns
C99	10nF
C91	2.2nF
C92	2.2nF
C93	10nF

SERIAL FLASH	
U2	NO 4MB or 8MB
C2	100nF
JP1	1-2

NAND FLASH	
U61	NO 32MB
U62	74CB3Q3306A
U63	74LVC2G52
R61	10K
R64	10K
R65	10K
C61	100nF
C62	100nF
C63	10nF
C64	100nF
JP5	2-3

PE2 DECODER	
U63	NO 74LVC2G32
R69	0 ohms
C64	100nF

STATUS LEDS	
R31	NO 470 ohms
R32	YES 470 ohms
DS4	YES R/G LED

SD MINI CARD	
U65	NO 74ALVC244
Q61	YES NDS332
Q63	YES 2N7002
R17	10K
R62	10K
R70	10K
R76	10K
R77	10K
R78	10K
R79	10K
R81	10K
R80	10K
R90	10K
C65	100nF
C66	100nF
J2	SD SOCKET

10/100 ETHERNET	
U7	NO YES
Y3	AX88796BLI
DS1	Y-LED
DS2	G-LED
DS3	Y-LED
R19	49.9 ohms
R20	49.9 ohms
R21	49.9 ohms
R22	49.9 ohms
R23	0 ohms
R25	470 ohms
R26	2M
R28	11.8K
R33	470 ohms
R34	470 ohms
R35	470 ohms
R89	11.8K
C31	10nF
C32	100nF
C33	4.7uF
C34	4.7uF
C35	100nF
C36	100nF
C37	10nF
C38	10nF
C39	100nF
C40	100nF
C43	33pF
C44	33pF
C45	4.7uF
C46	100nF
C74	10uF
C75	10nF
C76	10uF
C77	100nF
C78	100nF
C79	10uF
C80	10nF
C81	10uF
C82	4.7uF
C83	100nF
C84	10nF
C85	10nF
C86	10nF
C87	4.7uF
C88	10nF
C89	4.7uF
D1	BAT54
L1	10 ohms
L2	10 ohm
L61	10 ohm
L62	10 ohm
L63	10 ohm
L64	10 ohm
J3	RJ-45

ALTERNATE ENET CONNECTION	
JP2	1-2 1-2
JP3	1-2 1-2
JP4	2-3 2-3
JP7	2-3 1-2
JP8	2-3 1-2
JP9	2-3 (Note **) 1-2
JP10	2-3 1-2
R86	0 ohms

**NOT STUFFED ON RCM39XX

ALTERNATE ENET LED STATUS	
JP14	NO YES
R29	1-2 2-3
Y3	25.0MHz
R30	1.0M
C47	10nF
C48	100nF
Q1	2N7002
Q2	2N7002
U10	74LVC1G123

IO READ & WRITE BUFFER	
U64	NO YES
R67	11.8K 74LVC2G32
R73	0 ohms
C67	100nF

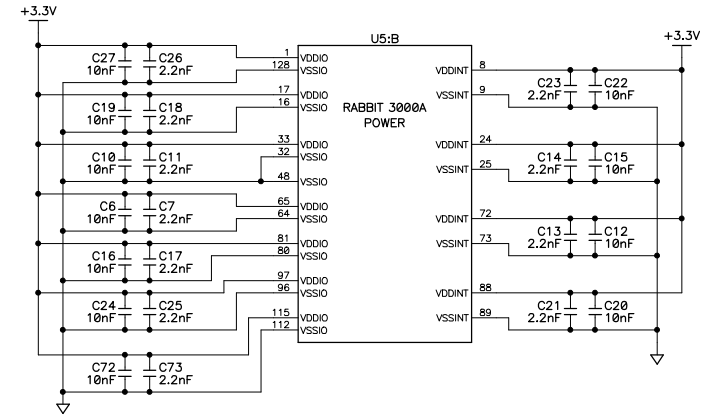
EXTERNAL SERIAL PORT B	
R72	NO YES
R82	0 ohms
R83	0 ohms

- NOTES: UNLESS OTHERWISE SPECIFIED:
- ALL RESISTOR VALUES ARE IN OHMS, 1/16W, 1%
 - ALL CAPACITORS ARE 16VDC OR HIGHER.
 - THE ORIGIN SOURCE OF A VOLTAGE IS REPRESENTED BY (V_{CC}), AND ALL REFERENCES TO THAT VOLTAGE ARE REPRESENTED BY (V_{CC}).
 - COMPONENT REFERENCE DESIGNATORS 1-60 ARE TOPSIDE THOSE GREATER THAN 60 ARE SOLDER SIDE.
 - COMPONENT IN DASHED BOX AND COMPONENT VALUES SHOWN WITH AN ASTERISK (*) FOLLOWING THE VALUE MAY HAVE DIFFERENT VALUES, OR MAY NOT BE STUFFED.
 - REFERENCE DESIGNATORS WITH A NUMERIC VALUE OF 50 OR LESS ARE ON THE TOP SIDE WHILE THOSE WITH A VALUE OF 51 OR GRATER ARE ON THE BOTTOM SIDE.

REVISION HISTORY

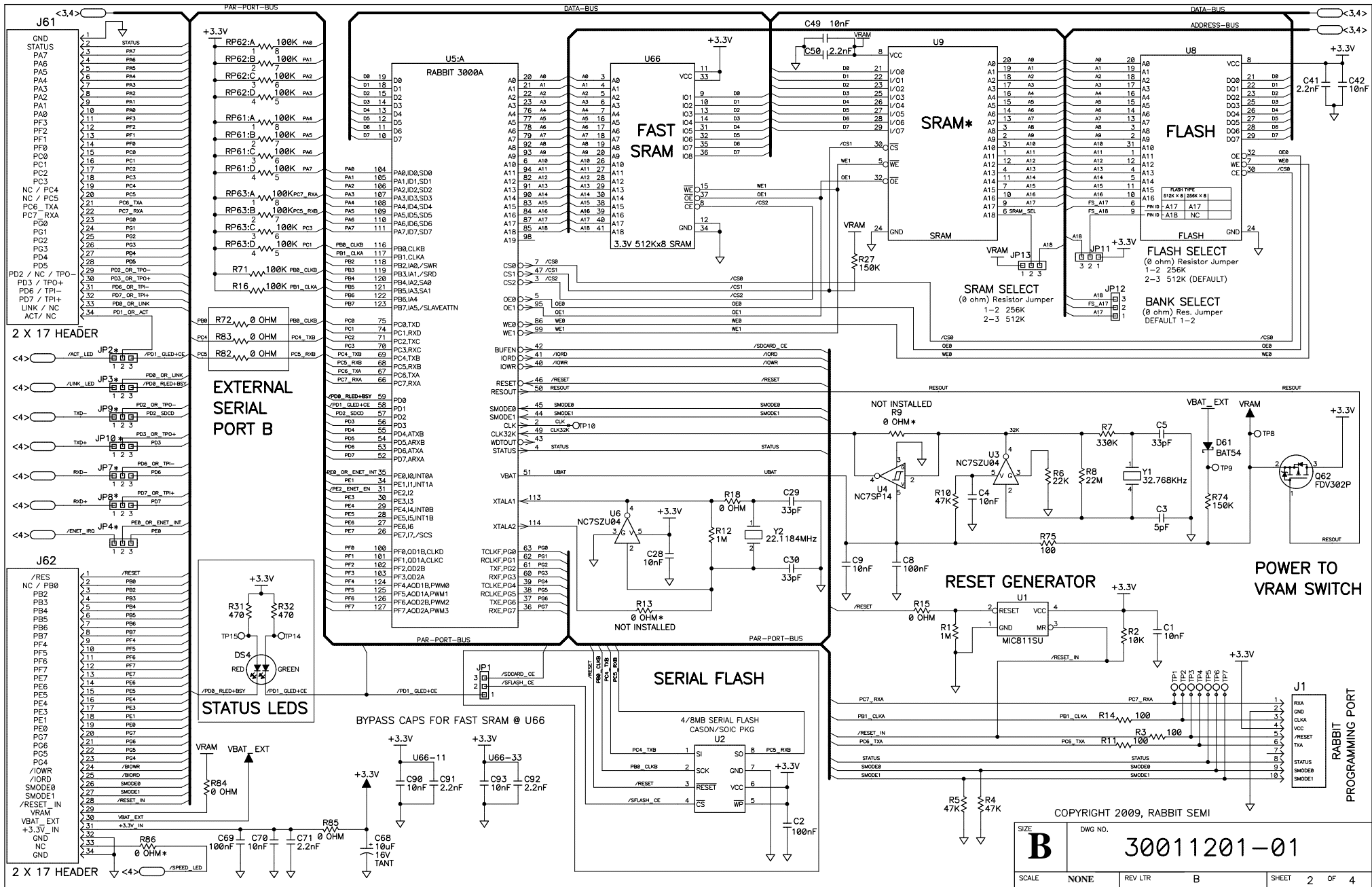
REVISION APPROVAL

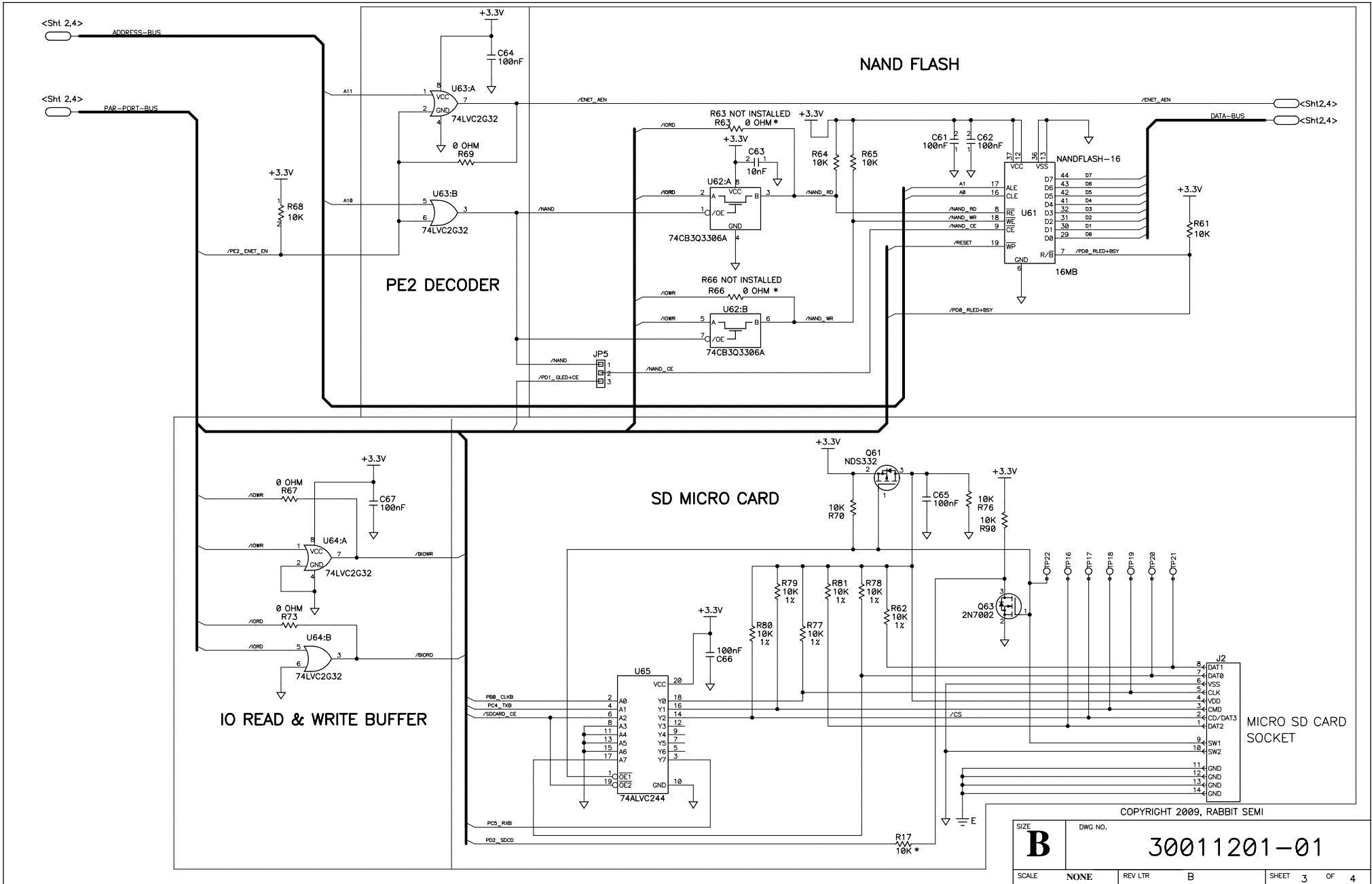
REV	ECO	DESCRIPTION	PROJECT ENGINEER	APPROVAL DATE	DOCUMENT CONTROL	APPROVAL DATE
A		INITIAL RELEASE	VO	xx/xx/xx		xx/xx/xx
B	E15545	UPDATED STUFFING CHARTS	MMK	12/12/07		
C	E15579	UPDATED STUFFING CHARTS	MMK	12/20/07		
D	E15639	UPDATED STUFFING CHARTS ON JP9, CHANGED NET PD2_SDPWR TO PD2_SDCD	TCP	2/20/08		
E	000144	UPDATED STUFFING CHARTS ON C35, C40, J3 AND R81 UPDATED DS1-DS3 COLORS	TCP	4/24/08		
A	Proto	SWITCHED TO 30M NUMBERING SCHEME WITH REV A MINI-SD SOCKET CHANGED TO MICRO-SD. ADDED TEST POINTS TP16-TP22.	TL	11/25/09		
B	N00994	SD CARD DETECT SIGNAL INVERSION ADDED COPPER POUR ON PCB	TL	01/09/10		



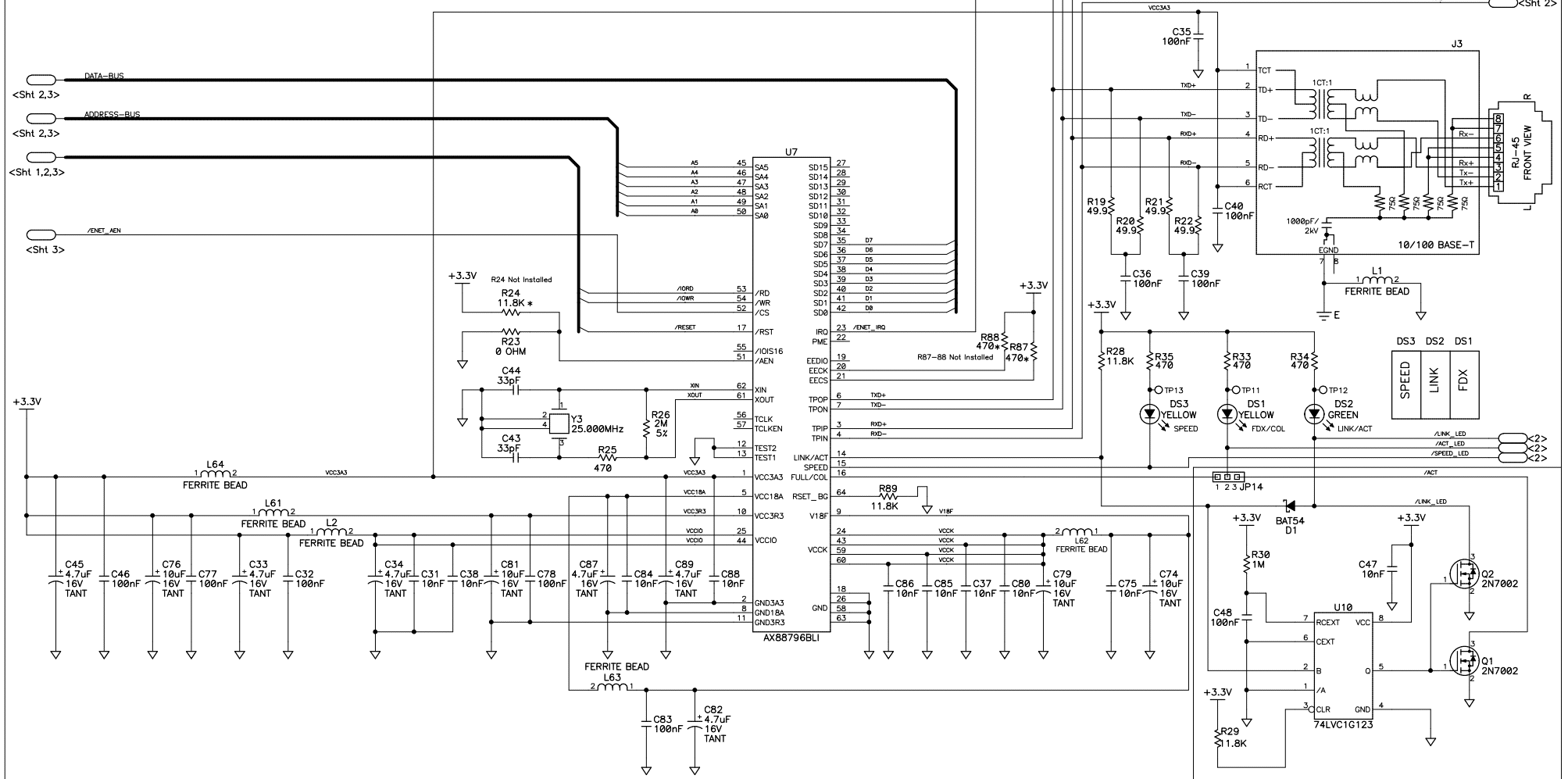
COPYRIGHT 2009, RABBIT SEMI

APPEND THE FOLLOWING DOCUMENTS WHEN CHANGING THIS DOCUMENT:		DRAWING CONTENT:		TITLE	
		DRAWN BY: (INITIAL RELEASE)	12/22/06	RCM39XX/RCM3XX9 CORE MODULE	
		VAN			
		REVISD BY:	Thu Jan 14, 2010	RABBIT SEMICONDUCTOR www.rabbit.com	
		TCP			
		APPROVALS: INITIAL RELEASE		SIZE B DWG NO. 30011201-01	
		PROJECT ENGINEER:			
		VAN		SCALE NONE RELEASE DATE SHEET 1 OF 4	
		ENGINEERING MANAGER:			
		Xuan Truong			
		SIGNATURES	DATE		





10/100 ETHERNET



ALTERNATE ETHERNET LED STATUS

COPYRIGHT 2009, RABBIT SEMI

B	SIZE	DWG. NO.	30011201-01	
	SCALE	NONE	REV LTR	B
			SHEET 4	OF 4