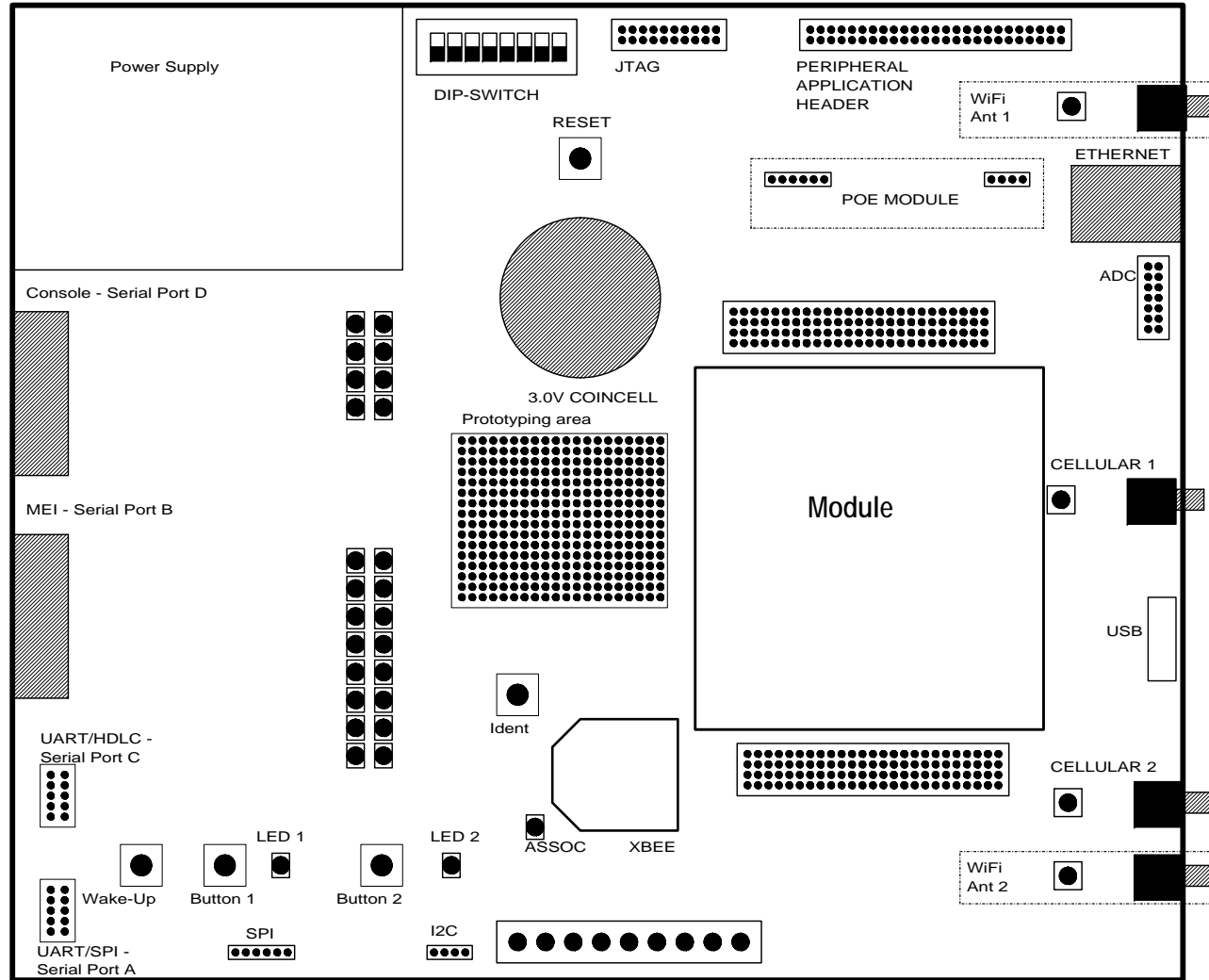


ConnectCore 9P 9210, 9P 9215, Wi-9P 9215 and 3G-9P 9215 JumpStart development Board

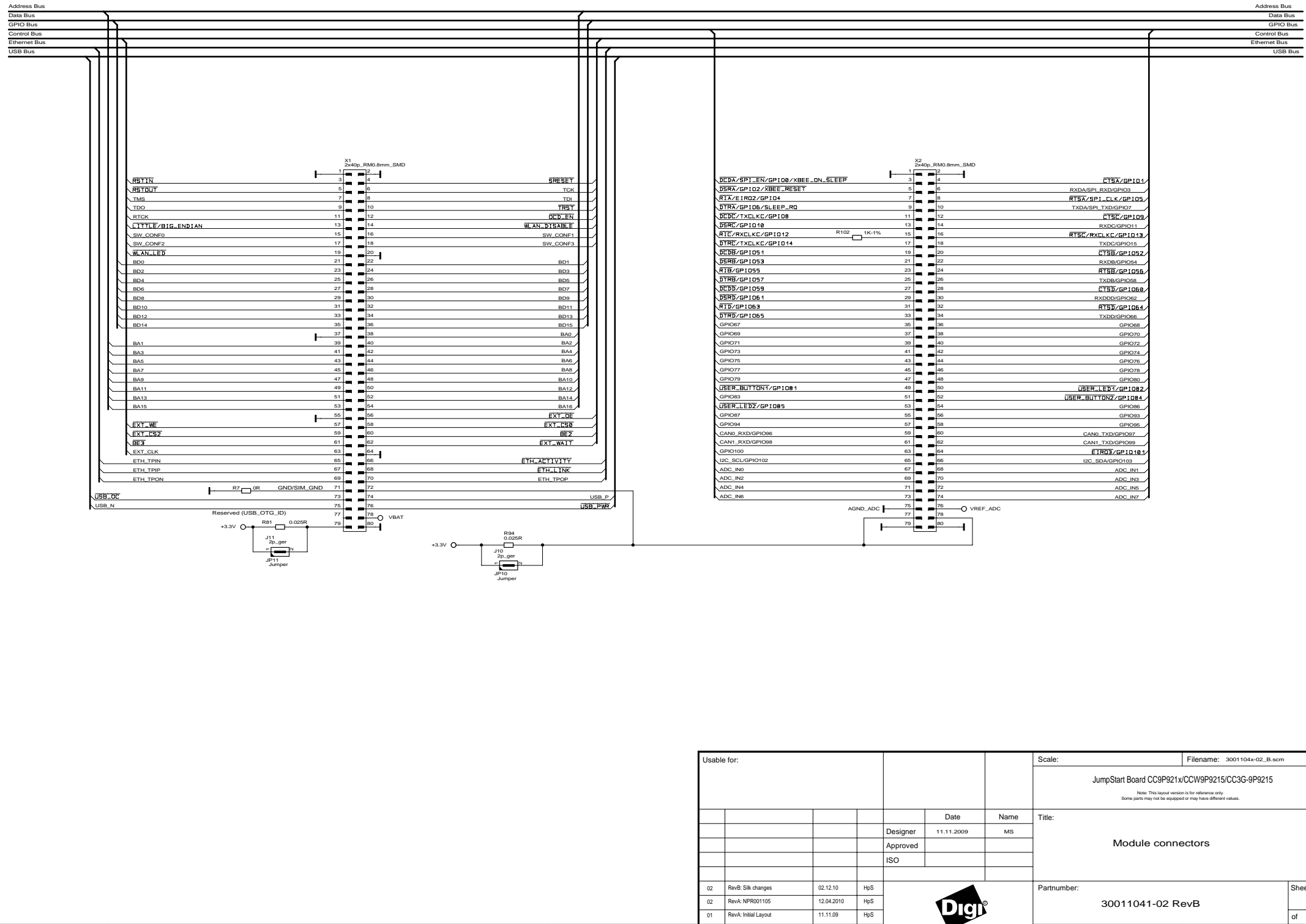


© Digi International Inc.

Usable for:						Scale:	Filename: 3001104x-02_B.scm
						JumpStart Board CC9P921x/CCW9P9215/CC3G-9P9215	
						<small>Note: This layout version is for reference only. Some parts may not be equipped or may have different values.</small>	
						Title:	
						Block Diagram	
						Partnumber:	
						30011041-02 RevB	
						Sheet	
						1	
						of	
						7	
Rev.	Modification	Date	Name			Provided for:	
02	RevB: Silk changes	02.12.10	HpS			Provided by:	
02	RevA: NPR001105	12.04.2010	HpS				
01	RevA: Initial Layout	11.11.09	HpS				

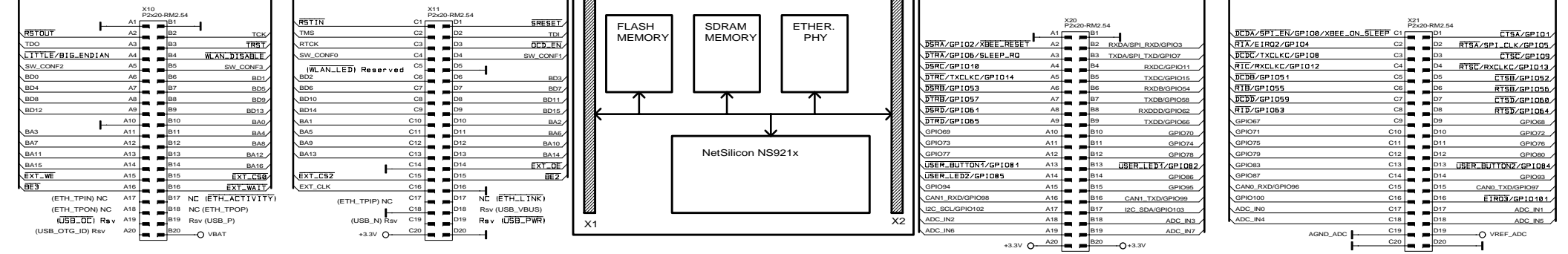


All rights reserved
© Digi International Inc.

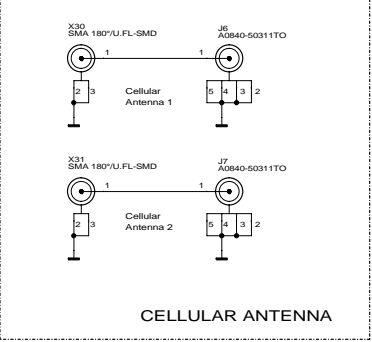
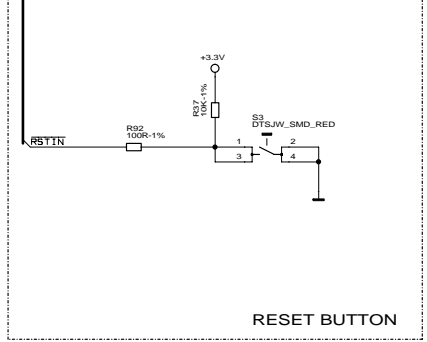
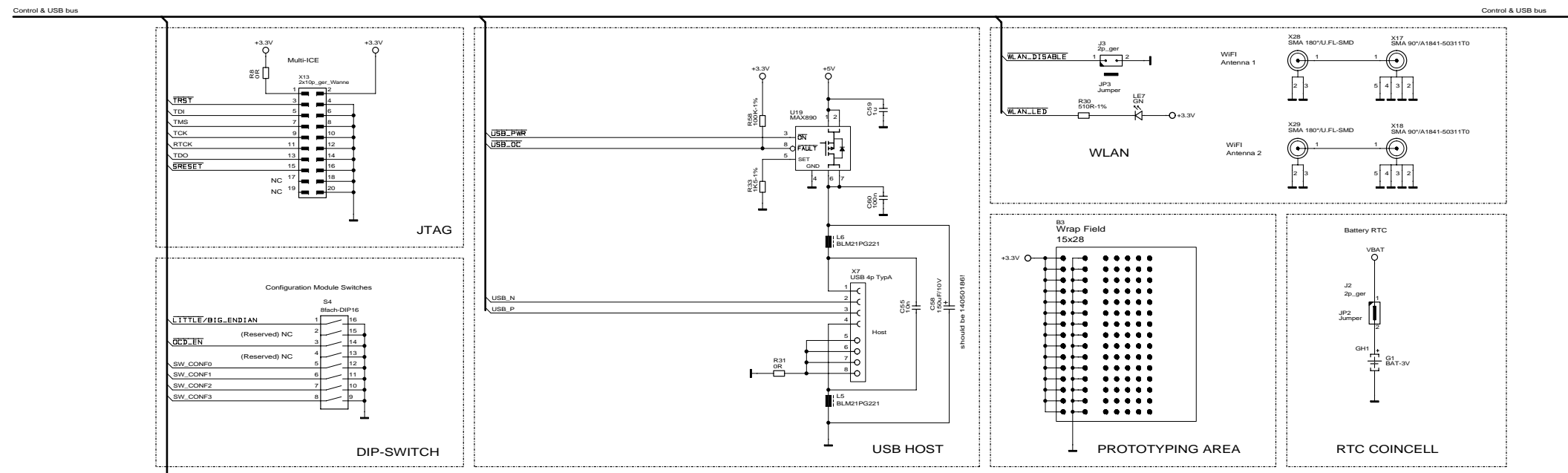
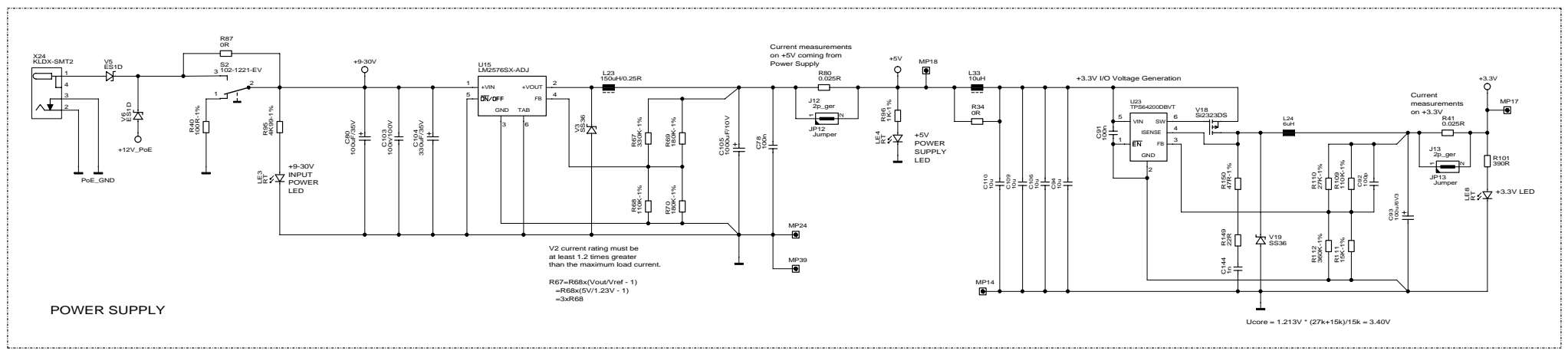


Usable for:				Scale:		Filename: 3001104x-02_B.scm	
				JumpStart Board CC9P921x/CCW9P9215/CC3G-9P9215 <small>Note: This layout version is for reference only. Some parts may not be equipped or may have different values.</small>			
				Title:			
				Module connectors			
				Partnumber:		Sheet	
				30011041-02 RevB		2	
				Provided for:		of 7	
				Provided by:			
Rev.	Modification	Date	Name				
02	RevB: Silk changes	02.12.10	HpS				
02	RevA: NPRO01105	12.04.2010	HpS				
01	RevA: Initial Layout	11.11.09	HpS				

All rights reserved
© Digi International Inc.



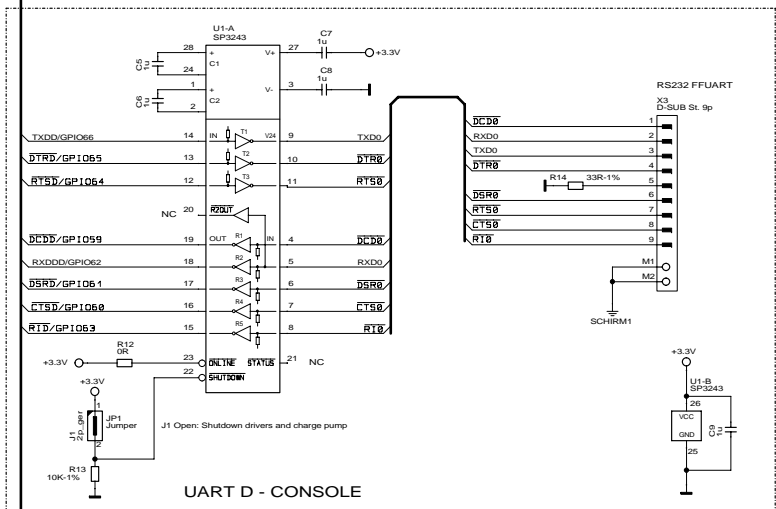
Usable for:						Scale:	Filename: 3001104x-02_B.scm		
				JumpStart Board CC9P921x/CCW9P9215/CC3G-9P9215					
				<small>Note: This layout version is for reference only. Some parts may not be equipped or may have different values.</small>					
				Designer:	Date:	Name:		Title: Signal Rails	
				Approved:	11.11.2009	MS			
				ISO:					
02	RevB: Silk changes	02.12.10	HpS	Digi		Partnumber:	30011041-02 RevB		Sheet
02	RevA: NPR001105	12.04.2010	HpS					3	
01	RevA: Initial Layout	11.11.09	HpS					of	7
Rev.	Modification	Date	Name			Provided for:	Provided by:		



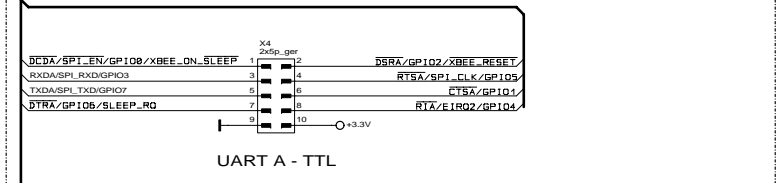
Usable for:				Scale:		Filename: 3001104x-02_B.scm	
				JumpStart Board CC9P921x/CCW9P9215/CC3G-9P9215			
				Note: This layout version is for reference only. Some parts may not be equipped or may have different values.			
				Title: Power Supply, JTAG, Dip-Switch, RTC, Reset			
		Designer	11.11.2009	Name		MS	
		Approved					
		ISO					
02	RevB: Silk changes	02.12.10	HpS	Partnumber:		30011041-02 RevB	
02	RevA: NPR001105	12.04.2010	HpS			Sheet 4	
01	RevA: Initial Layout	11.11.09	HpS			of 7	
Rev.	Modification	Date	Name	Provided for:		Provided by:	



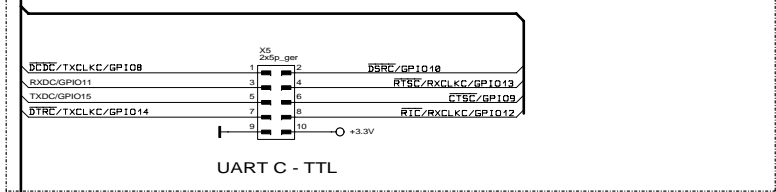
All rights reserved
© Digi International Inc.



UART D - CONSOLE



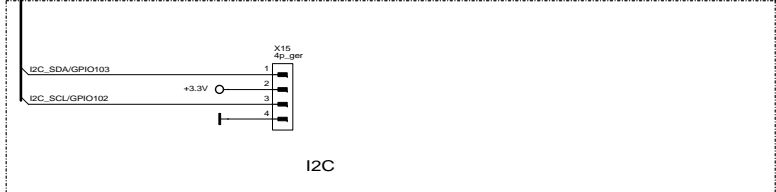
UART A - TTL



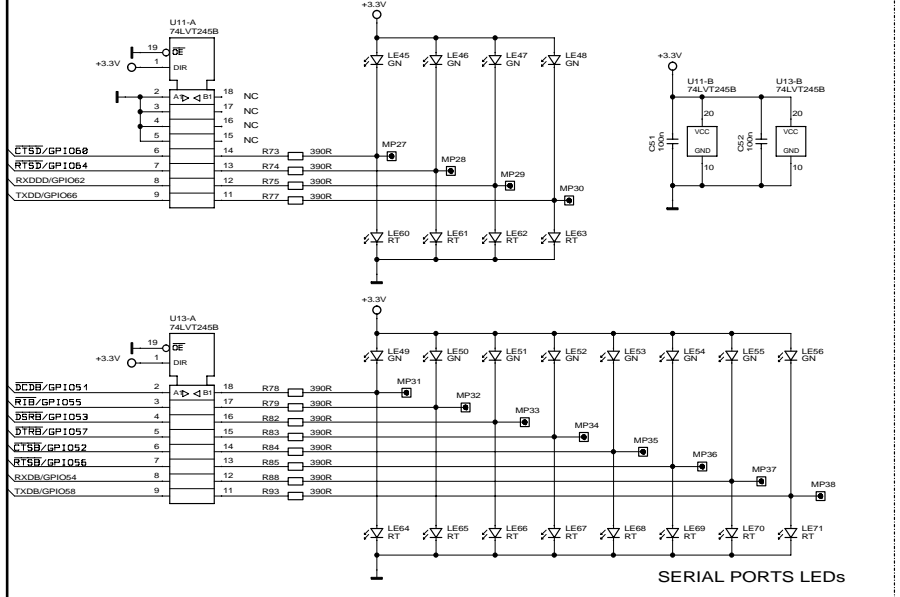
UART C - TTL



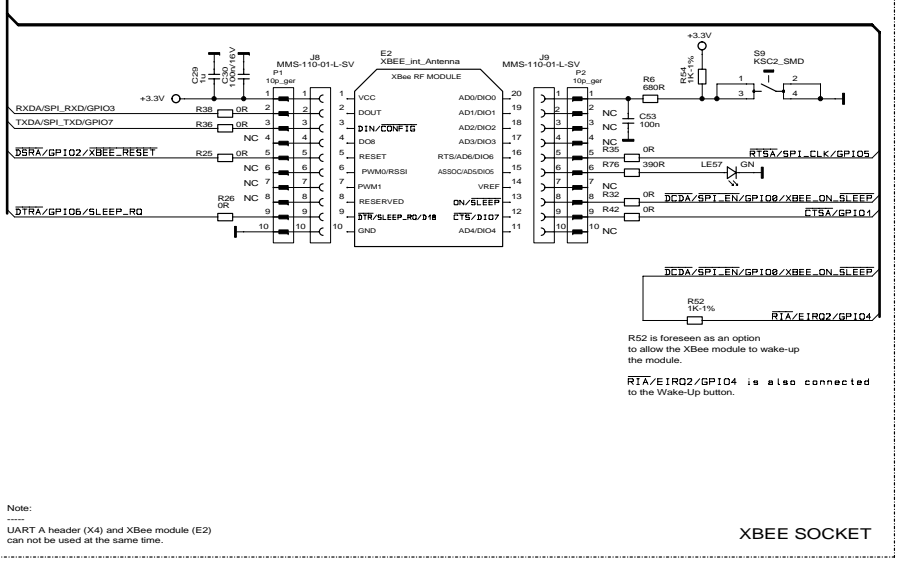
SPI



I2C



SERIAL PORTS LEDs



XBEE SOCKET

Note:

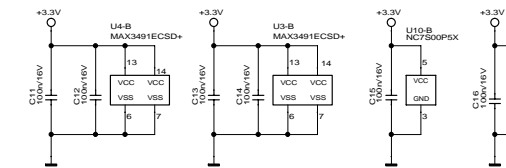
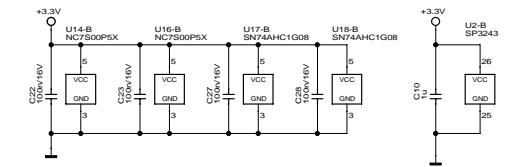
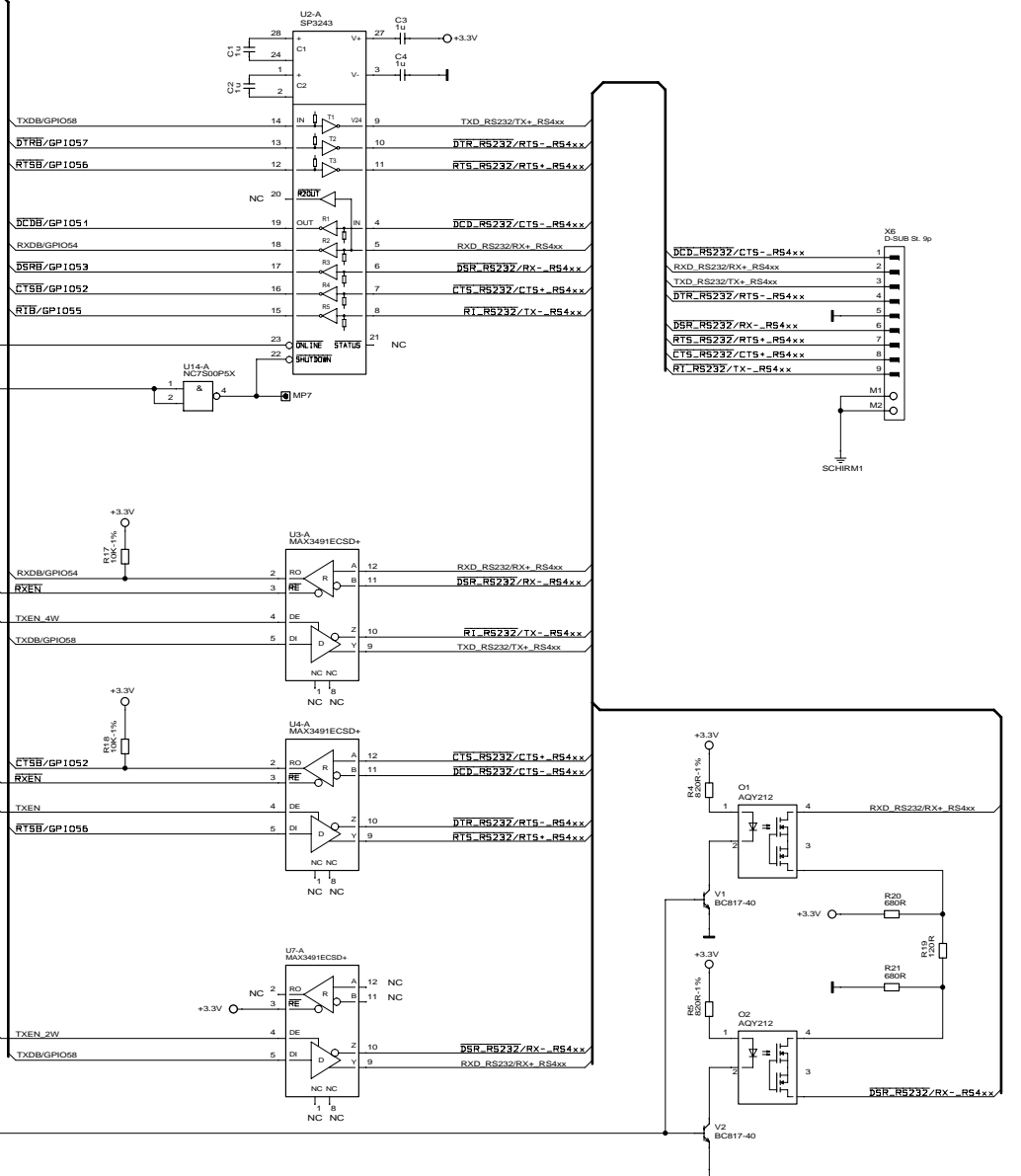
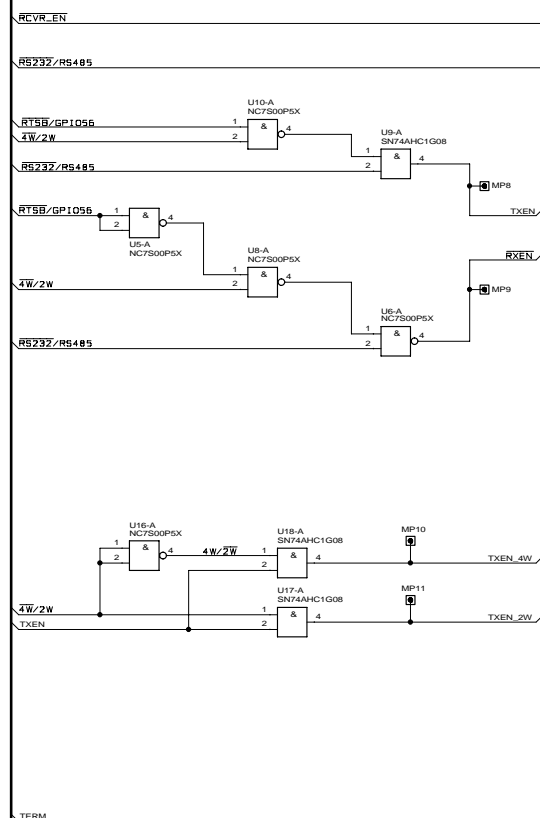
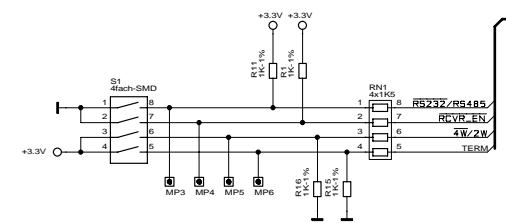
UART A header (X4) and XBee module (E2) can not be used at the same time.

R52 is foreseen as an option to allow the XBee module to wake-up the module.
RTA/EIRQ2/GPIO4 is also connected to the Wake-Up button.

Usable for:				Scale:		Filename: 3001104x-02_B.scm	
						JumpStart Board CC9P921xCCW9P215/CC3G-9P9215	
						Note: This layout version is for reference only. Some parts may not be equipped or may have different values.	
				Title:		UARTs, Serial Ports LEDs, XBee, SPI and I2C	
				Designer: MS		Date: 11.11.2009	
				Approved:		ISO:	
				Partnumber:		30011041-02 RevB	
				Sheet		5	
				of		7	
Rev. Modification Date Name				Provided for:		Provided by:	
02	RevB: Silk changes	02.12.10	HpS				
02	RevA: NPR001105	12.04.2010	HpS				
01	RevA: Initial Layout	11.11.09	HpS				

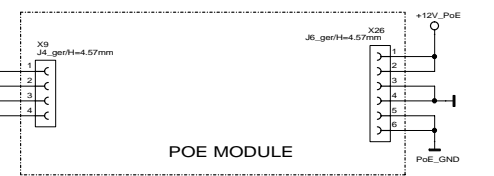
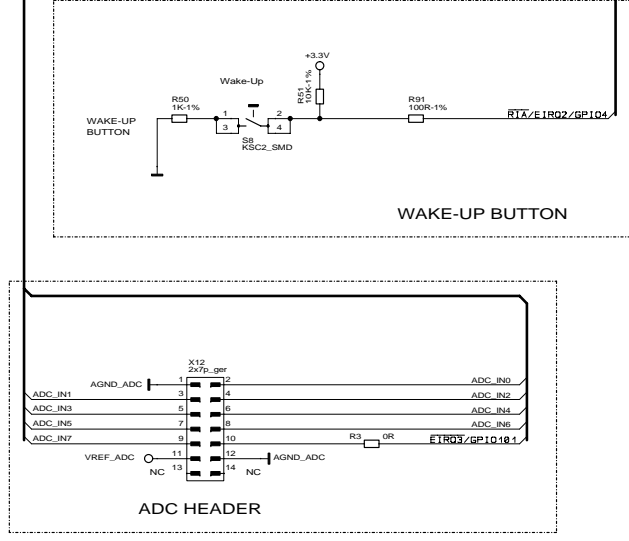
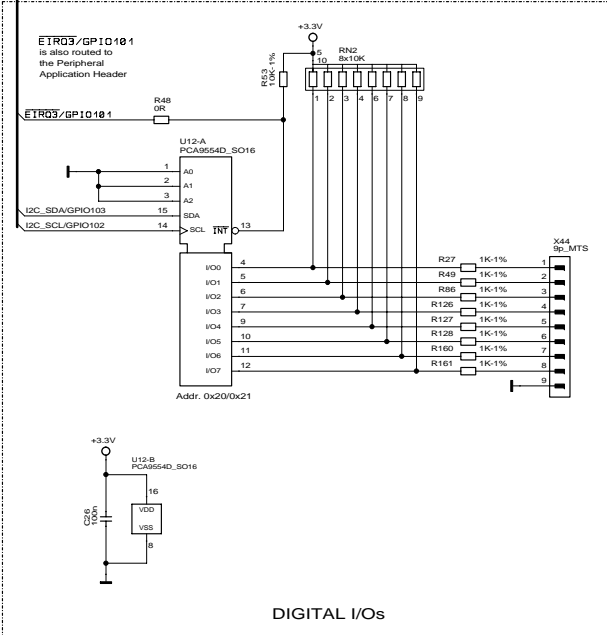
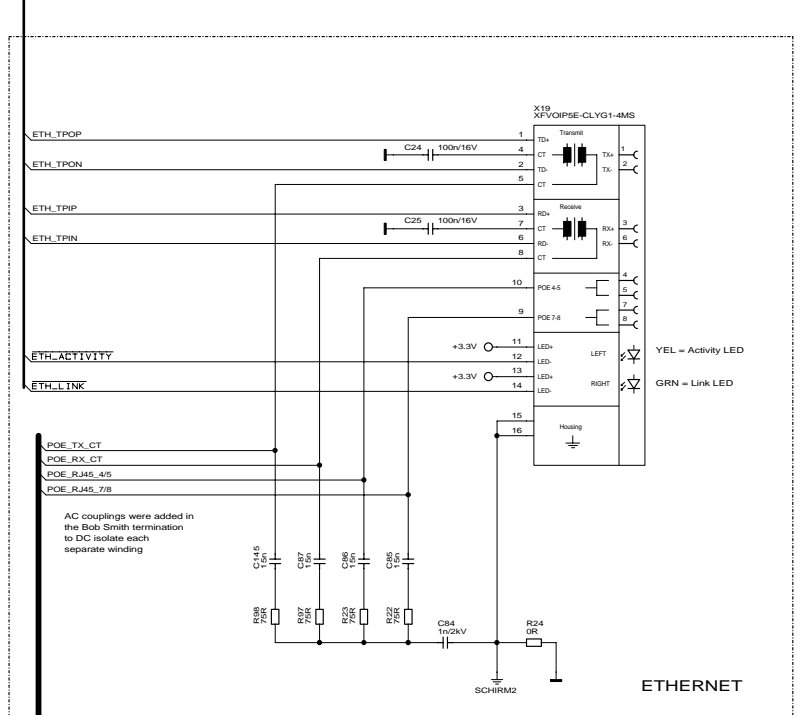
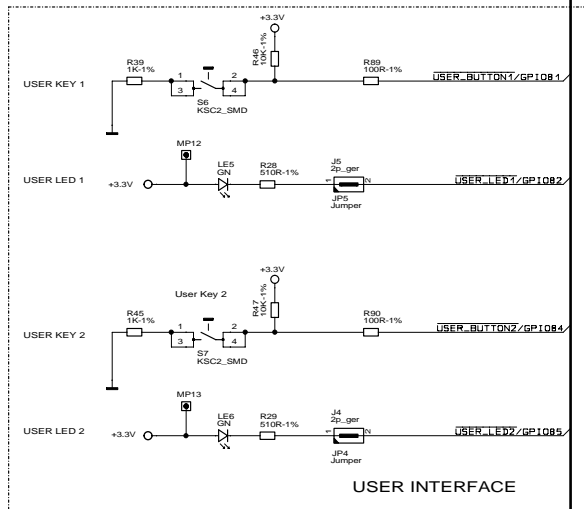
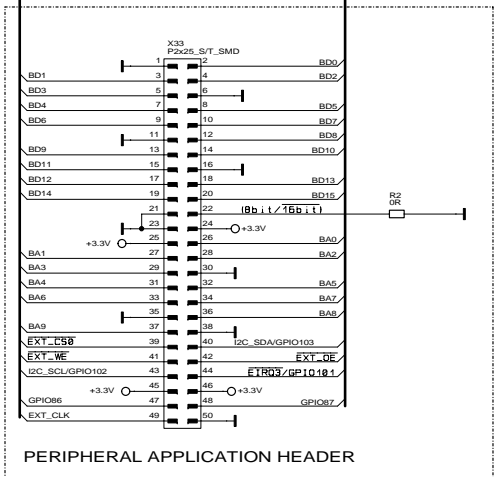


All rights reserved
© Digi International Inc.



Usable for:		Scale:		Filename: 3001104x-02_B.scm	
Jump Start Board CC9P921x/CCW9P9215/CC3G-9P9215					
<small>Note: This layout version is for reference only. Some parts may not be equipped or may have different values.</small>					
Title:		Date:		Name:	
Digi MEI Interface (RS232/RS4xx)		11.11.2009		MS	
Partnumber:		Approved:		ISO	
30011041-02 RevB					
Sheet		Rev.		Modification	
6		02		RevB: Silk changes	
of		02		RevA: NPR001105	
7		01		RevA: Initial Layout	
Provided for:		Date:		Name:	





Usable for:				Scale:		Filename: 30011041x-02_B.scm	
				JumpStart Board CC9P921x/CCW9P9215/CC3G-9P9215			
				Note: This layout version is for reference only. Some parts may not be equipped or may have different values.			
				Title:			
				ADC, USER Interface, Peripheral Ethernet + PoE headers			
				Partnumber:		30011041-02 RevB	
				Sheet		7	
				of		7	
Rev. Modification Date Name				Provided for:		Provided by:	
02	RevB: Silk changes	02.12.10	HpS				
02	RevA: NPR001105	12.04.2010	HpS				
01	RevA: Initial Layout	11.11.09	HpS				



© Digi International Inc.