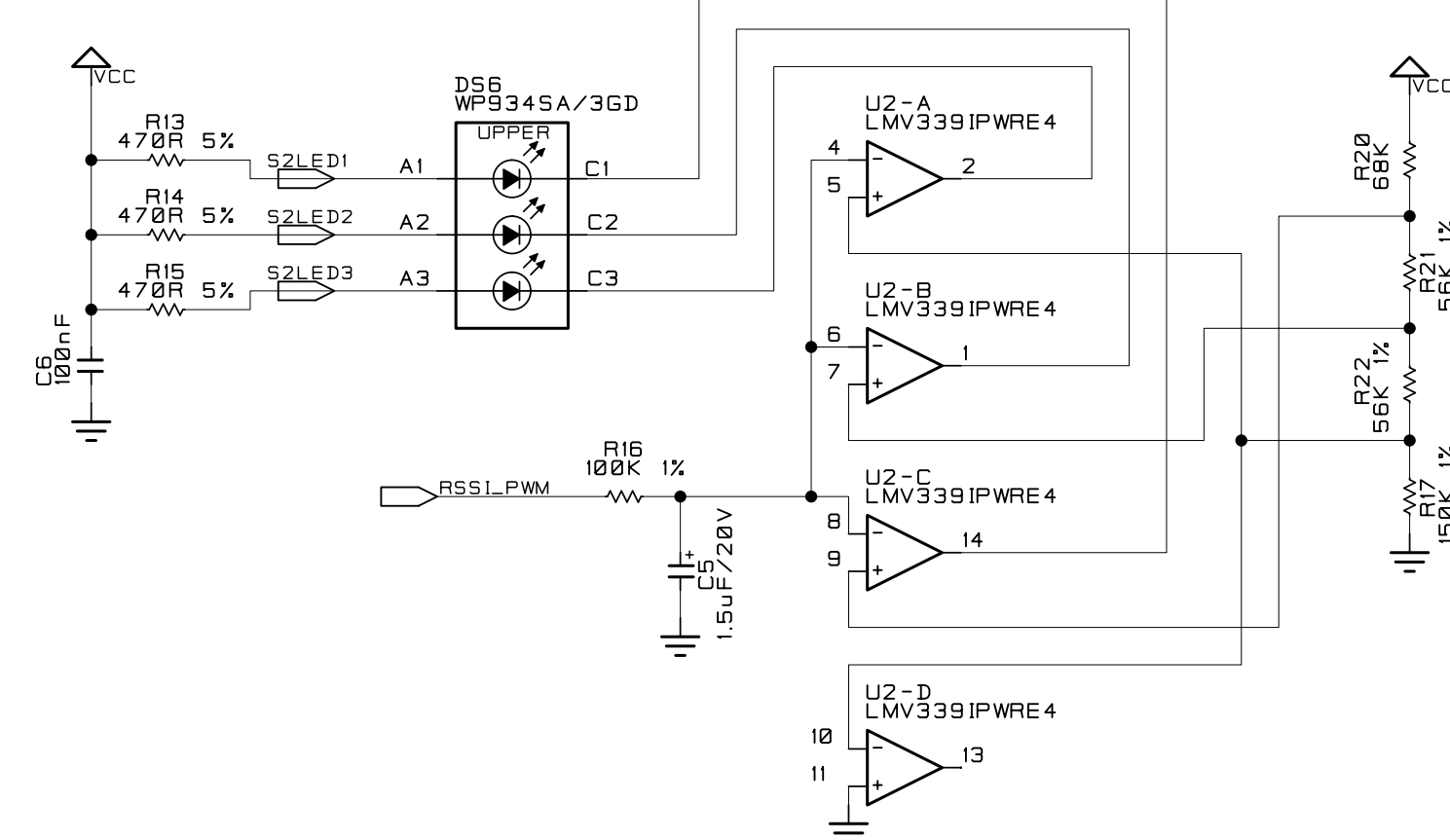
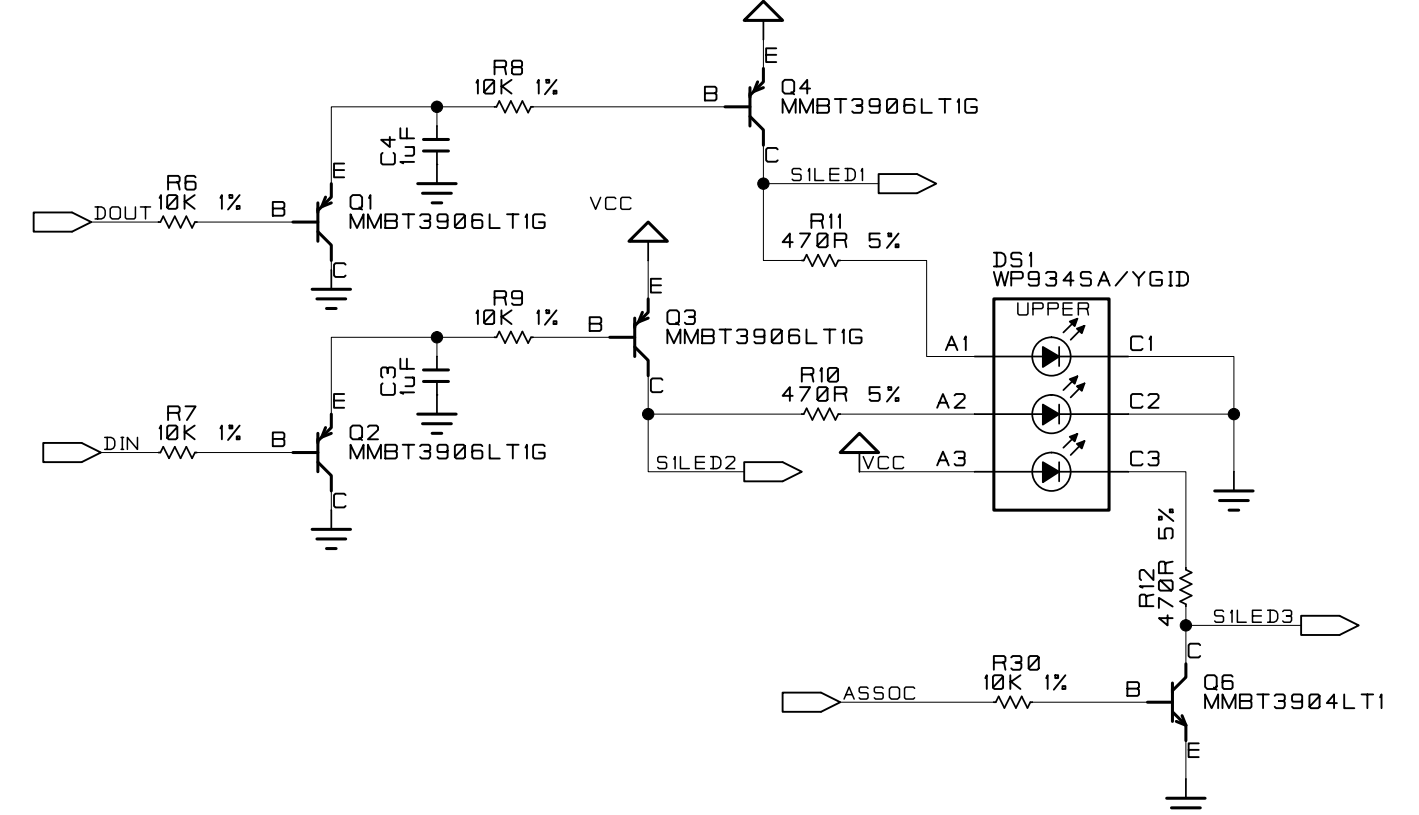


REV	ECO	DESCRIPTION OF CHANGE	BY	CKD	APPR	DATE
APPROVALS:		DATE:	TITLE			
DESIGNED:		xxxxxx	XBee Interface Board XBIB-R-DEV			
DRAWN:		xxxxxx				
CHECKED:		xxxxxx	PART NO.			
ENGINEER:		xxxxxx	30010681-03			
© Digi International Inc. All rights reserved			DO NOT SCALE DRAWING		SHEET 1 of 3	

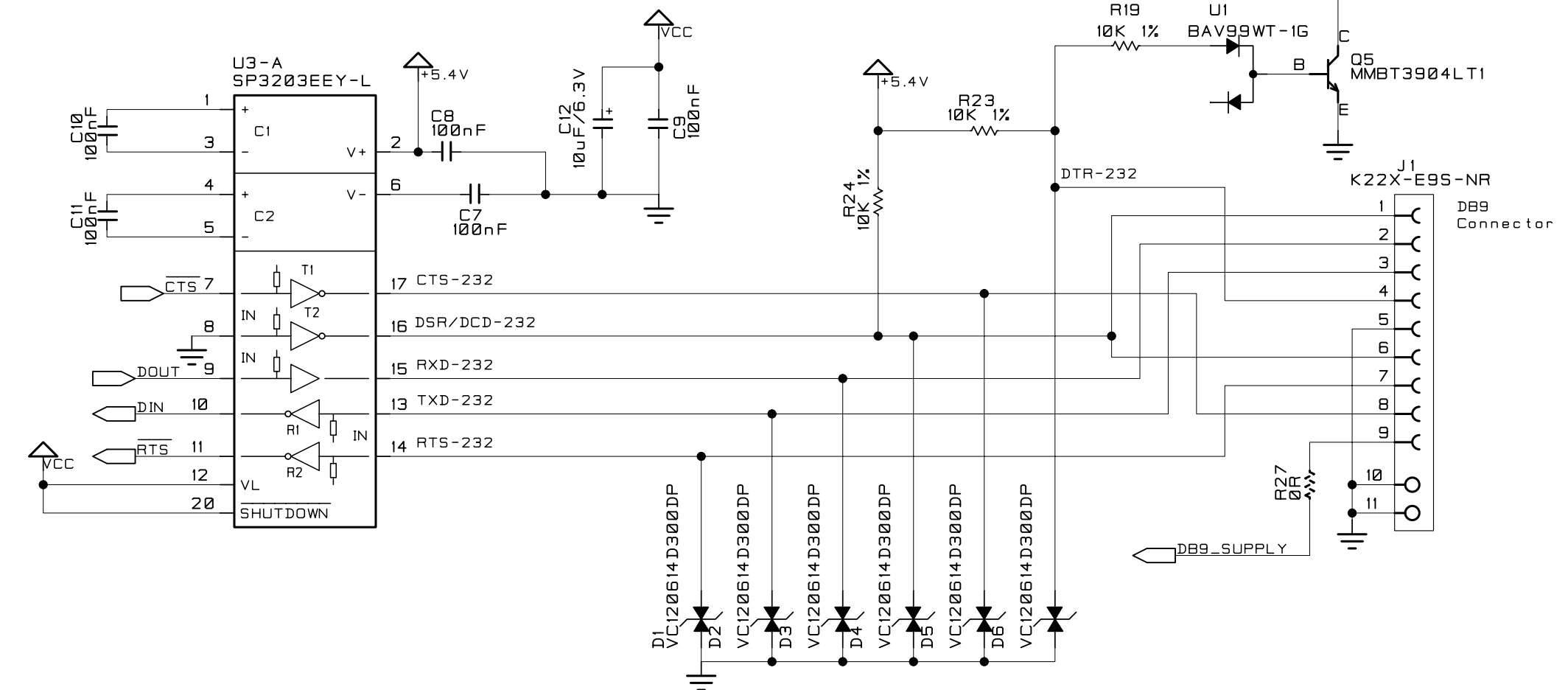
RSSI LED STACK



LED STACK

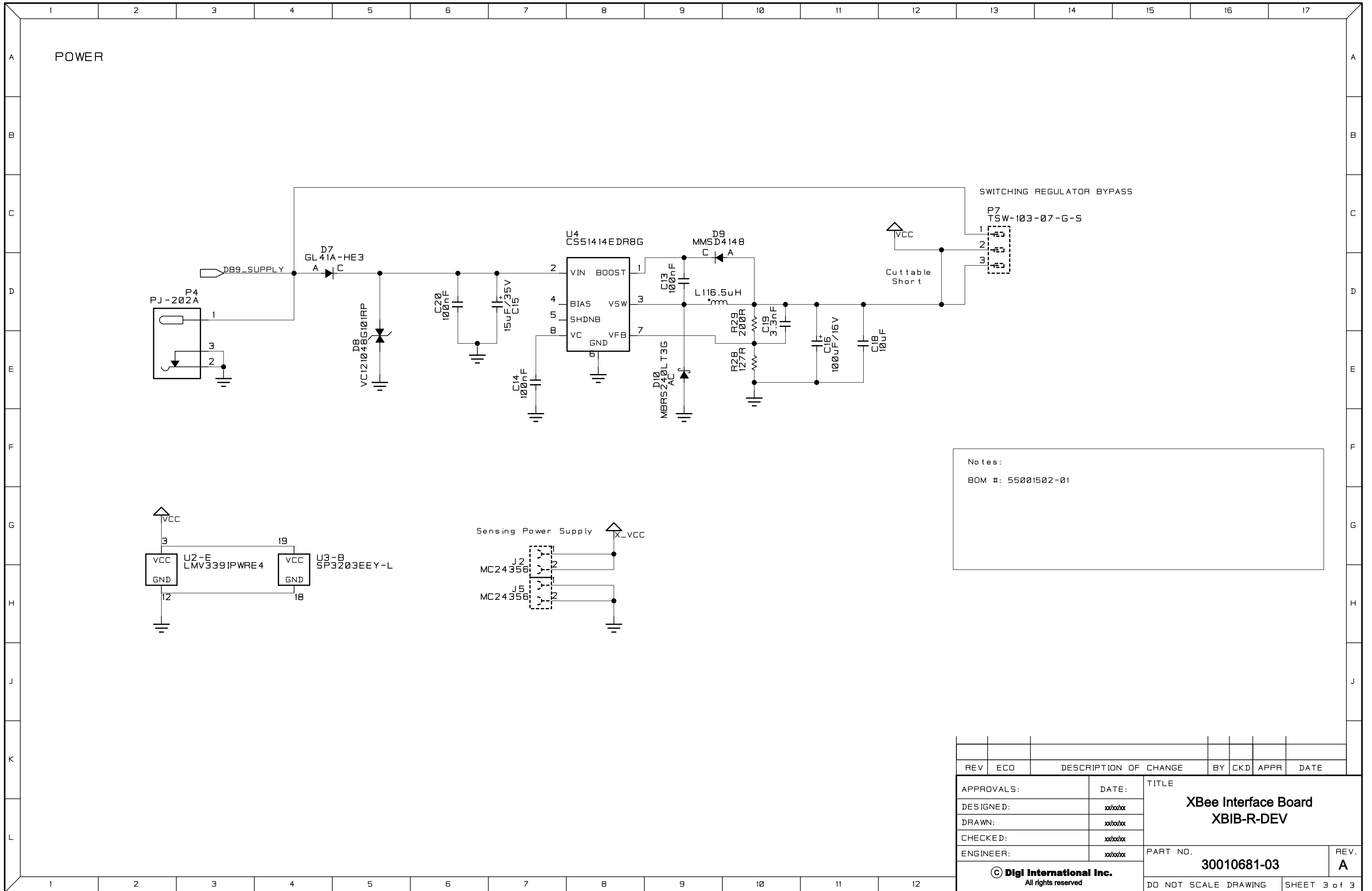


RS232 LEVEL TRANSLATION



REV	ECO	DESCRIPTION OF CHANGE	BY	CKD	APPR	DATE

APPROVALS:	DATE:	TITLE
DESIGNED:	xxxxxx	XBee Interface Board XBIB-R-DEV
DRAWN:	xxxxxx	
CHECKED:	xxxxxx	
ENGINEER:	xxxxxx	
© Digi International Inc. All rights reserved		PART NO. 30010681-03
		REV. A



Notes:
 BOM #: 55001502-01

REV	ECO	DESCRIPTION OF CHANGE	BY	CKD	APPR	DATE
APPROVALS:		DATE:	TITLE XBee Interface Board XBIB-R-DEV			
DESIGNED:		xxxxxx				
DRAWN:		xxxxxx				
CHECKED:		xxxxxx				
ENGINEER:		xxxxxx				
© Digi International Inc. All rights reserved		PART NO.	REV.			
		30010681-03	A			
DO NOT SCALE DRAWING						SHEET 3 of 3