

ConnectCore 9C Development Board

Page 1 **TABLE OF CONTENTS**

Page 2 **RS232 Serial Ports**

Page 3 **RS232/RS485 Serial Port**

Page 4 **SPI and I2C Header, GPIO EXPANDER**

Page 5 **USB Host and Device**

Page 6 **VGA**

Page 7 **LCD Interface and DF9-31 Connector**

Page 8 **Touch Screen Interface, SD/MMC Card**

Page 9 **Main Power Supply**

Page 10 **Power Over Ethernet**

Page 11 **DIP SWITCH BANK**

Page 12 **GPIO [1-10] AND LED INDICATORS**

Page 13 **GPIO [11-20] AND LED INDICATORS**

Page 14 **GPIO [21-30] and LED INDICATORS**

Page 15 **GPIO [31-33] and LED INDICATORS**

Page 16 **I2C GPIO**

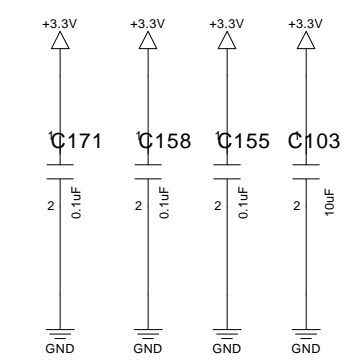
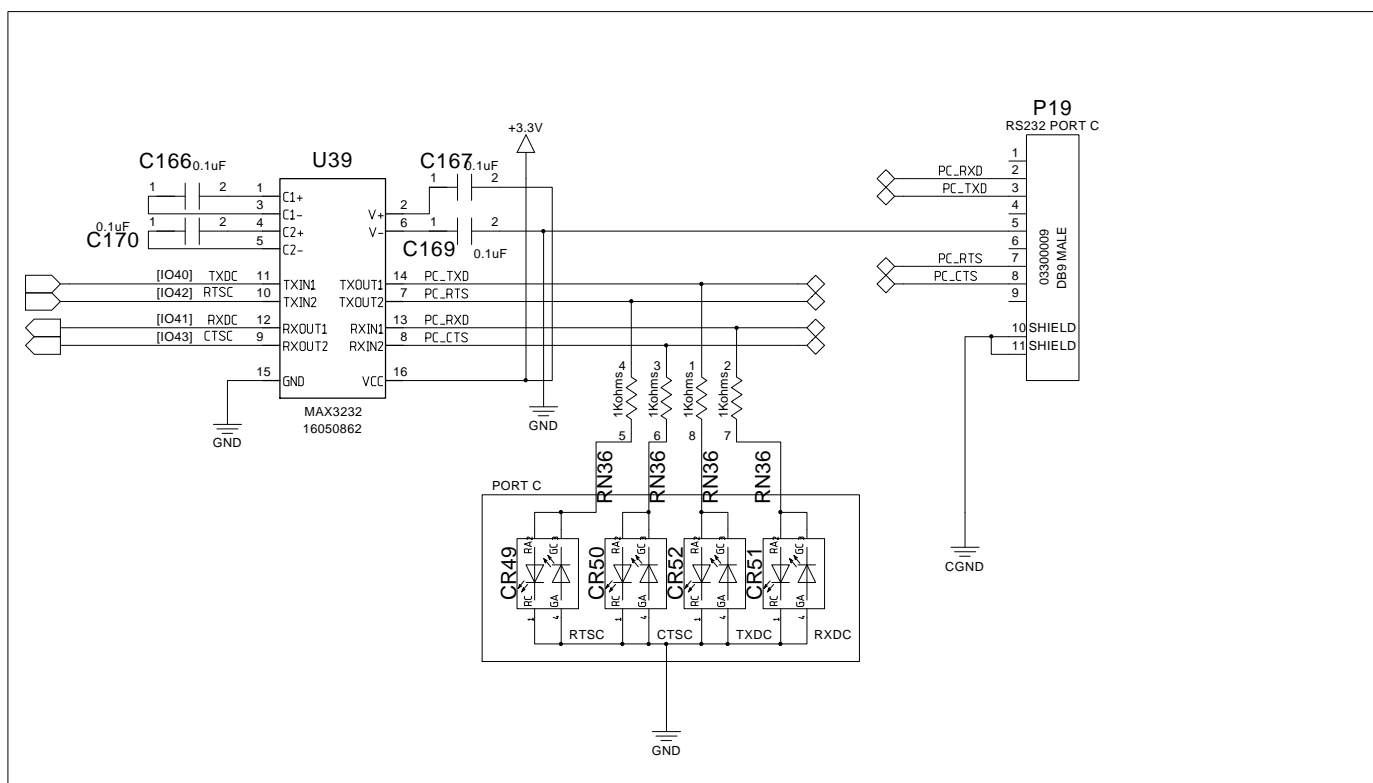
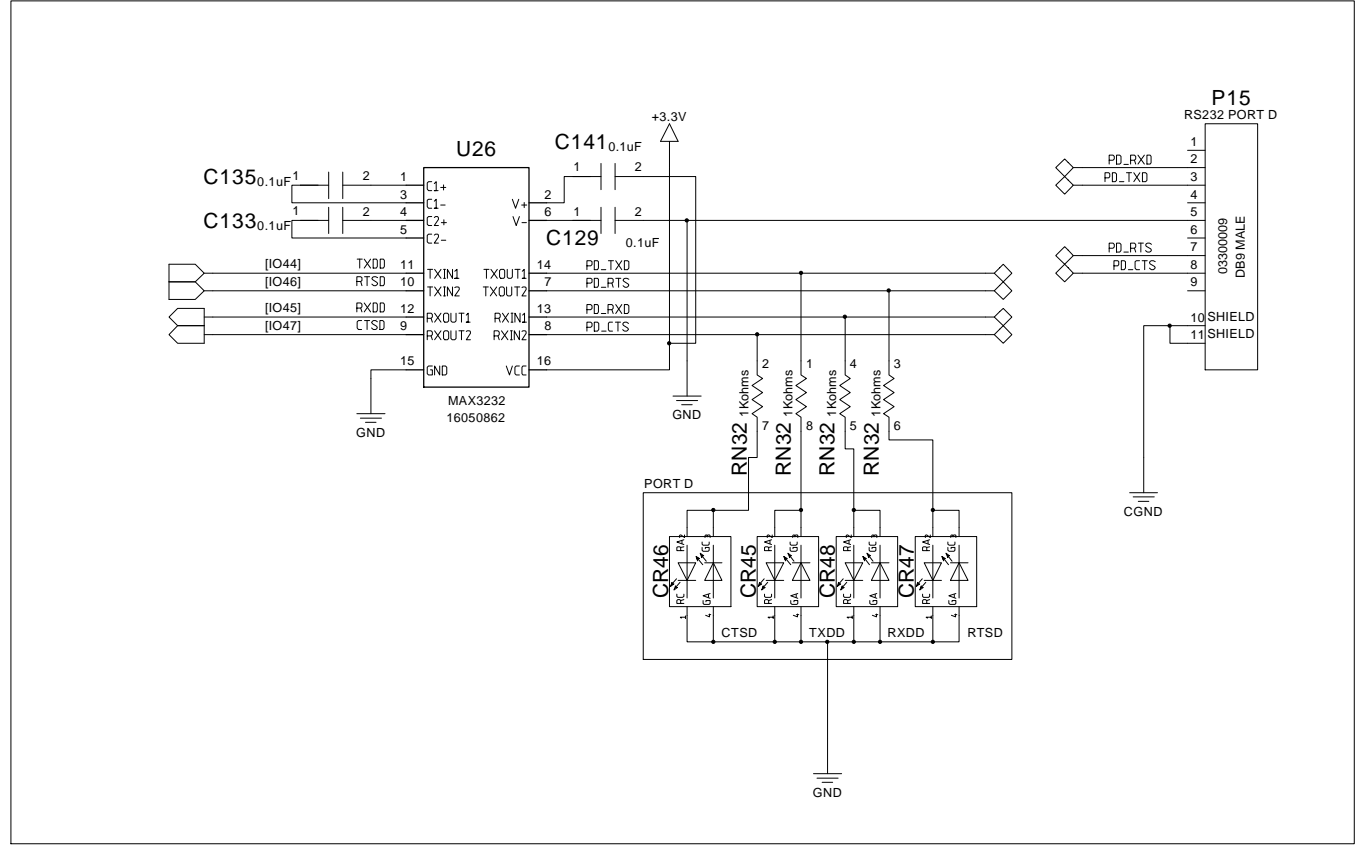
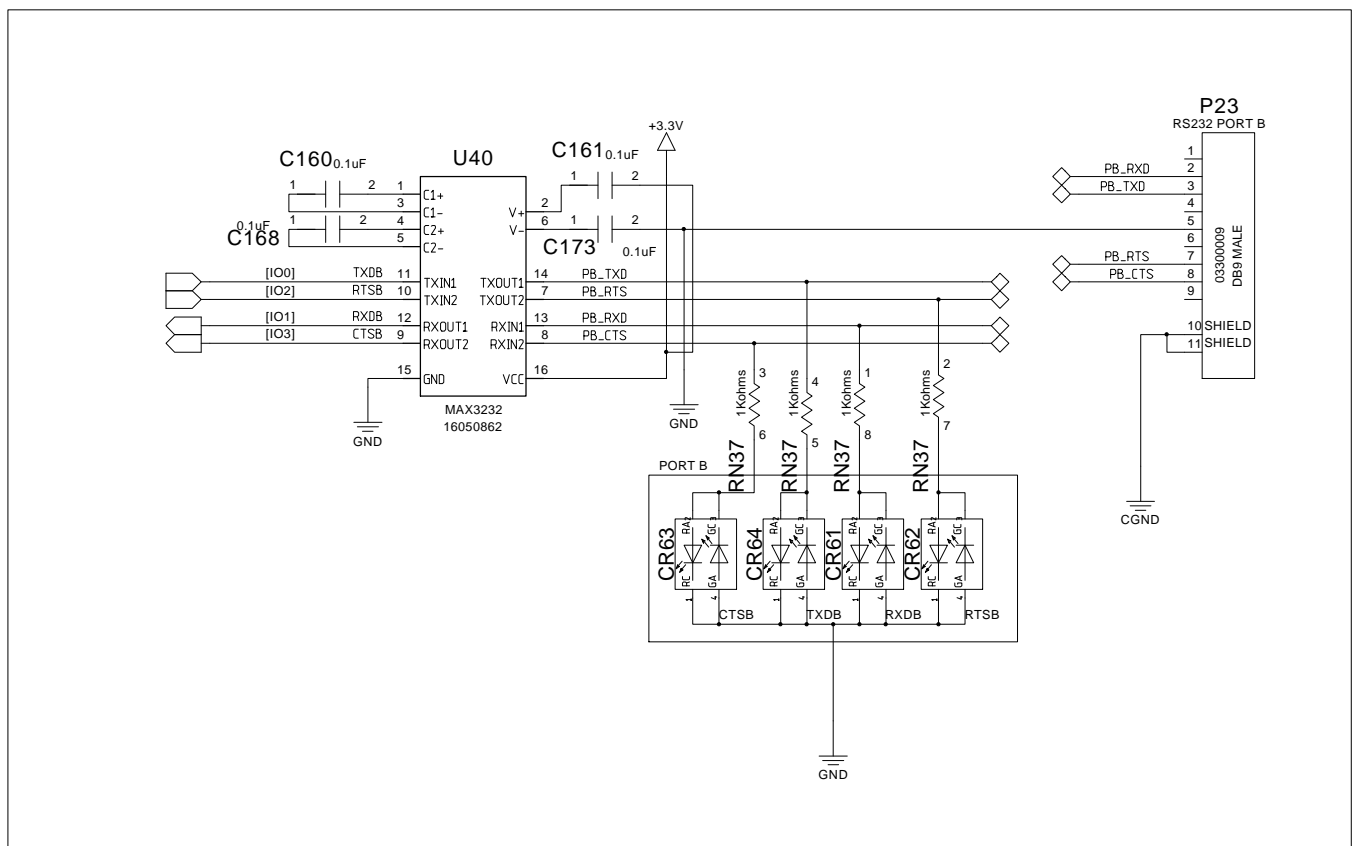
Page 17 **Buffer and USB Switches**

Page 18 **LOGIC Analyser Header**

Page 19 **M / CB Socket**

| | | | | | | | | |
|----------------------|------------|----------------------------|---|----------|----------|------|--|--|
| | | | | | | | | |
| A | 103297 | NPRO RISK PRODUCTION BUILD | | | | | | |
| REV | ECO | DESCRIPTION OF CHANGE | BY | CKD | APPR | DATE | | |
| APPROVALS | | DATE | <div style="text-align: center;"> <h1>Digi</h1> <p>TITLE: TABLE OF CONTENTS</p> </div> | | | | | |
| DESIGNED | 05/12/2005 | | | | | | | |
| DRAWN | 05/12/2005 | | | | | | | |
| CHECKED | 05/12/2005 | | | | | | | |
| ENGINEER | 05/12/2005 | | | | | | | |
| 01:50:35 PM | | SIZE | PART NO. | REV | | | | |
| | | D | 30006541-01 | A | | | | |
| DO NOT SCALE DRAWING | | SCALE: NTS | VERIBEST | SHEET | 1 | | | |

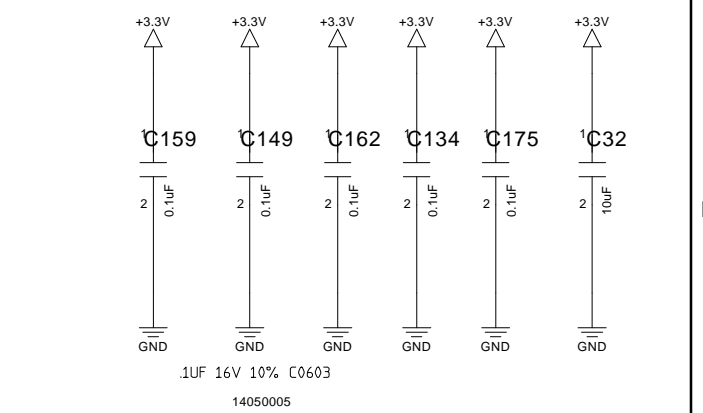
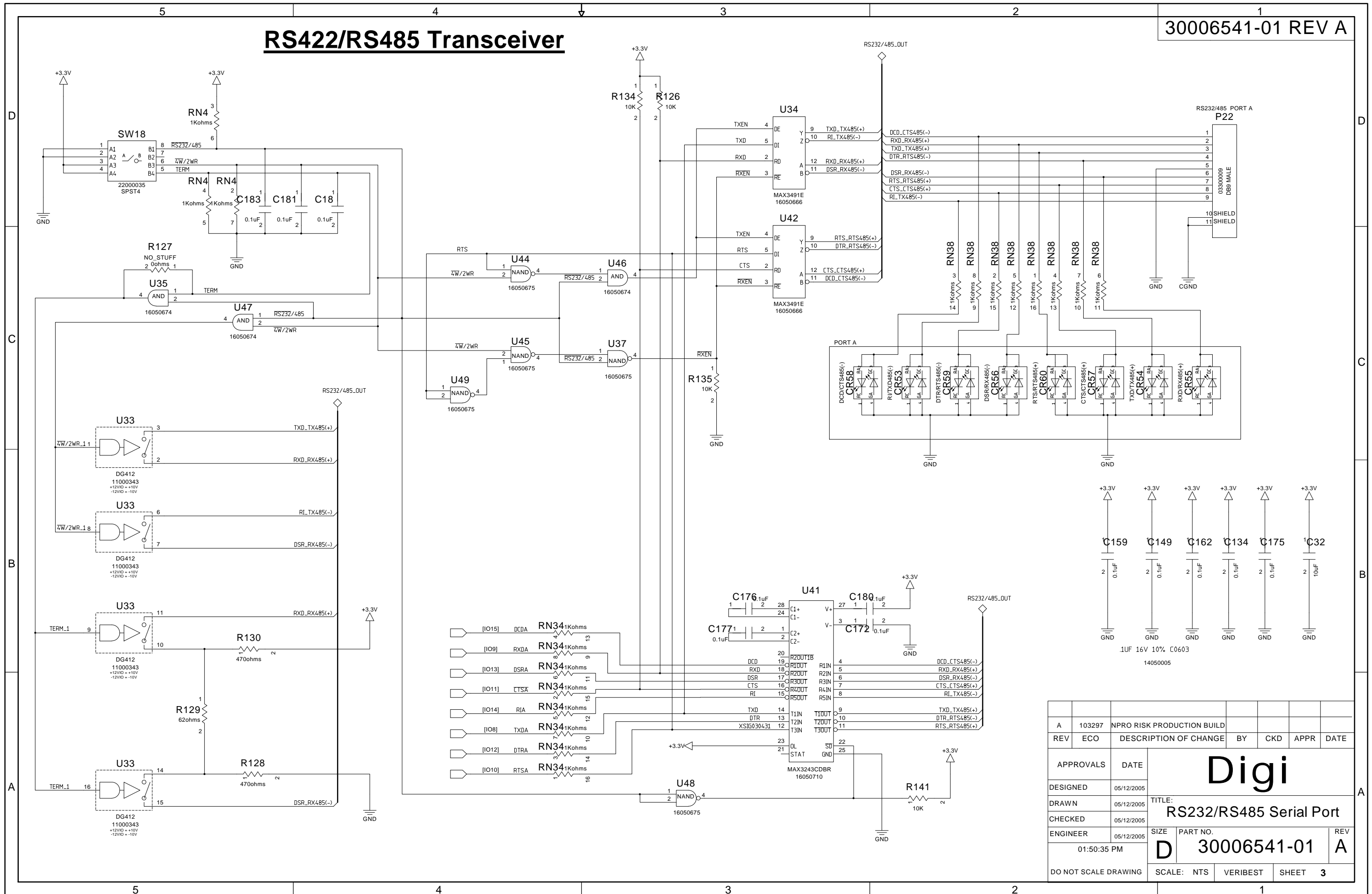
RS232 Serial Ports



| | | | | | | |
|----------------------|--------|----------------------------|--|-----|------|------|
| A | 103297 | NPRO RISK PRODUCTION BUILD | | | | |
| REV | ECO | DESCRIPTION OF CHANGE | BY | CKD | APPR | DATE |
| APPROVALS | | DATE | <div style="text-align: center;"> <h1>Digi</h1> <h2>RS232 Serial Ports</h2> </div> | | | |
| DESIGNED | | 05/12/2005 | | | | |
| DRAWN | | 05/12/2005 | | | | |
| CHECKED | | 05/12/2005 | | | | |
| ENGINEER | | 05/12/2005 | | | | |
| 01:50:35 PM | | SIZE | PART NO. | REV | | |
| DO NOT SCALE DRAWING | | D | 30006541-01 | A | | |
| SCALE: NTS | | VERIBEST | SHEET | | 2 | |

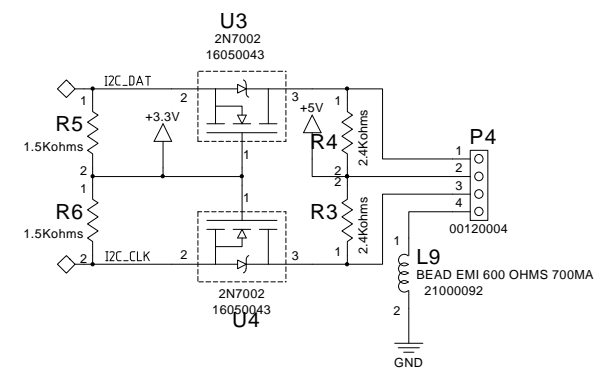
RS422/RS485 Transceiver

30006541-01 REV A

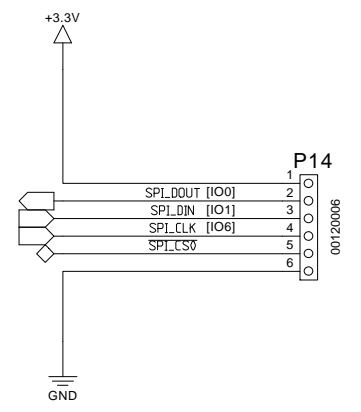


| | | | | | | |
|----------------------|--------|----------------------------|--|-----|------|------|
| A | 103297 | NPRO RISK PRODUCTION BUILD | | | | |
| REV | ECO | DESCRIPTION OF CHANGE | BY | CKD | APPR | DATE |
| APPROVALS | | DATE | <h2 style="text-align: center;">Digi</h2> <p style="text-align: center;">TITLE: RS232/RS485 Serial Port</p> <p style="text-align: center;">SIZE: D PART NO. 30006541-01 REV A</p> <p style="text-align: center;">01:50:35 PM</p> | | | |
| DESIGNED | | 05/12/2005 | | | | |
| DRAWN | | 05/12/2005 | | | | |
| CHECKED | | 05/12/2005 | | | | |
| ENGINEER | | 05/12/2005 | | | | |
| DO NOT SCALE DRAWING | | | | | | |
| SCALE: NTS | | VERIBEST | SHEET | | 3 | |

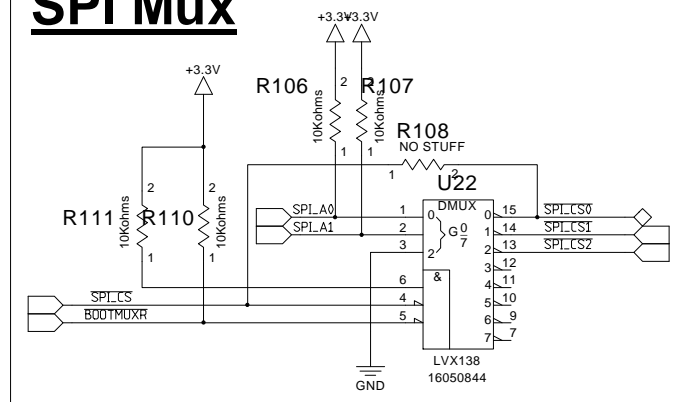
I2C Header 5V tolerant



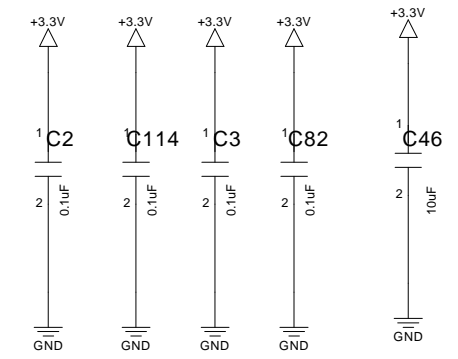
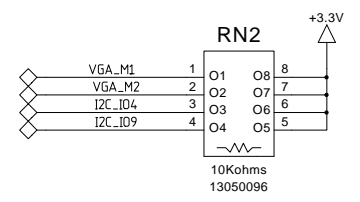
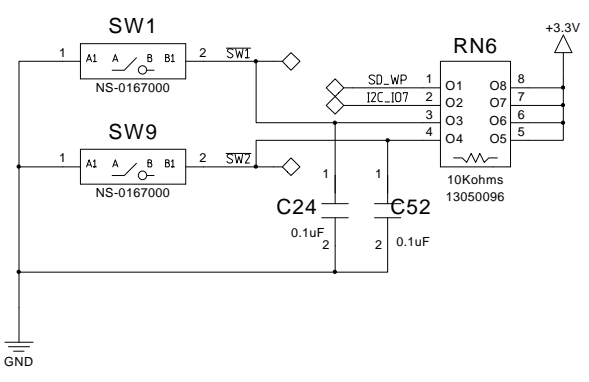
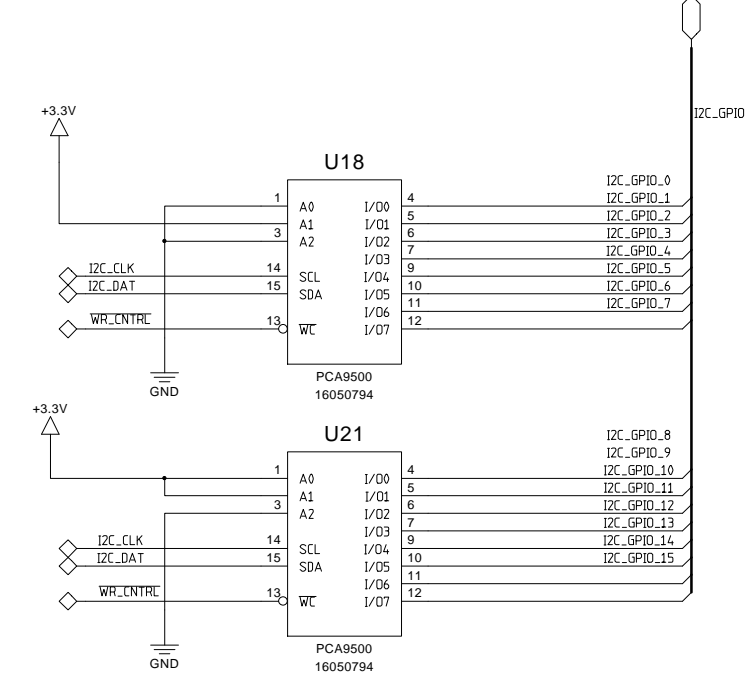
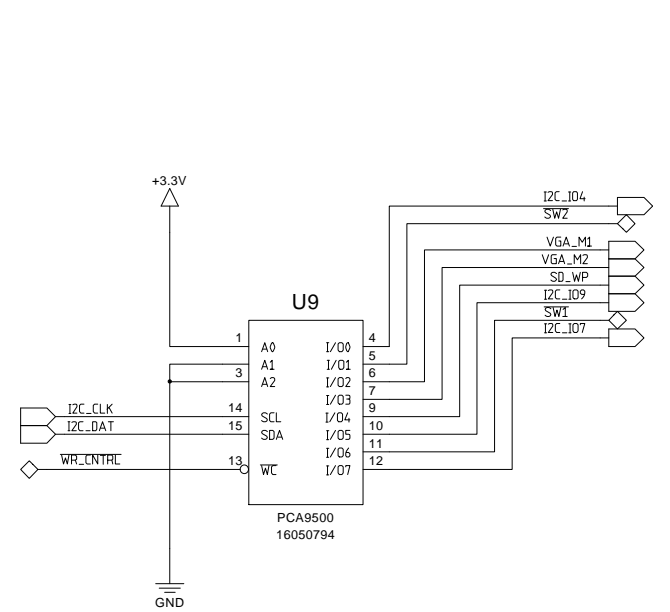
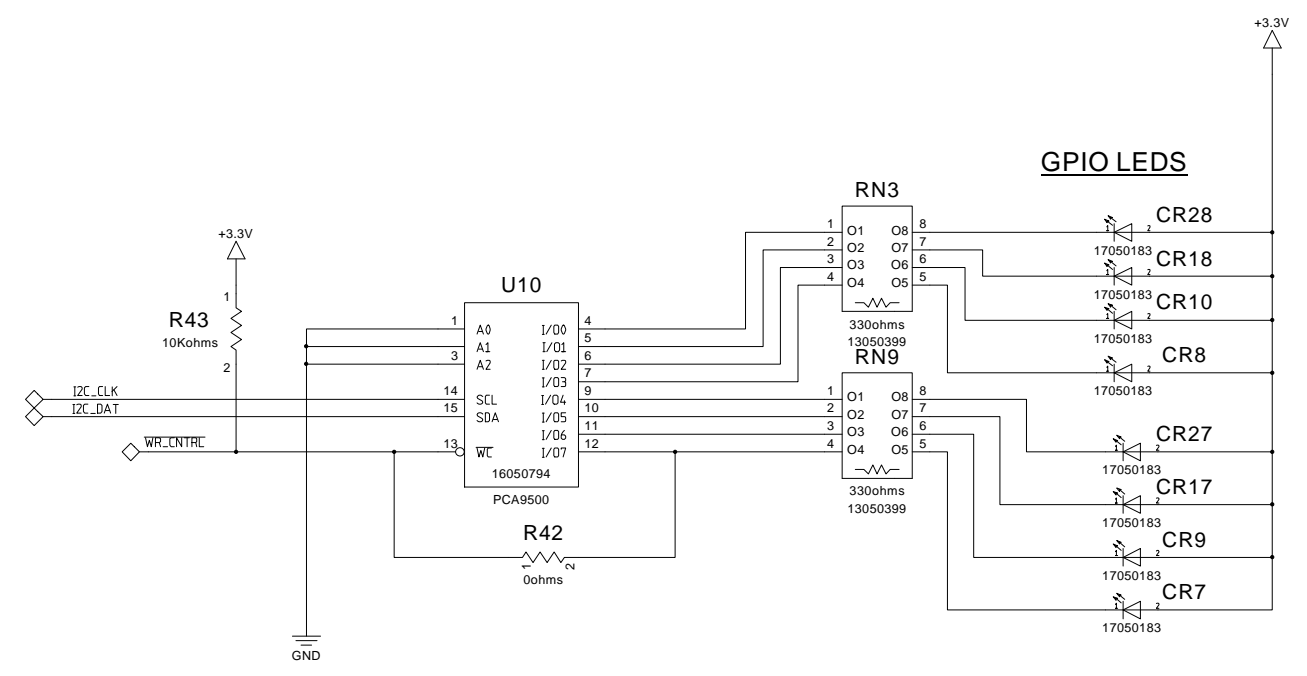
SPI Header



SPI Mux

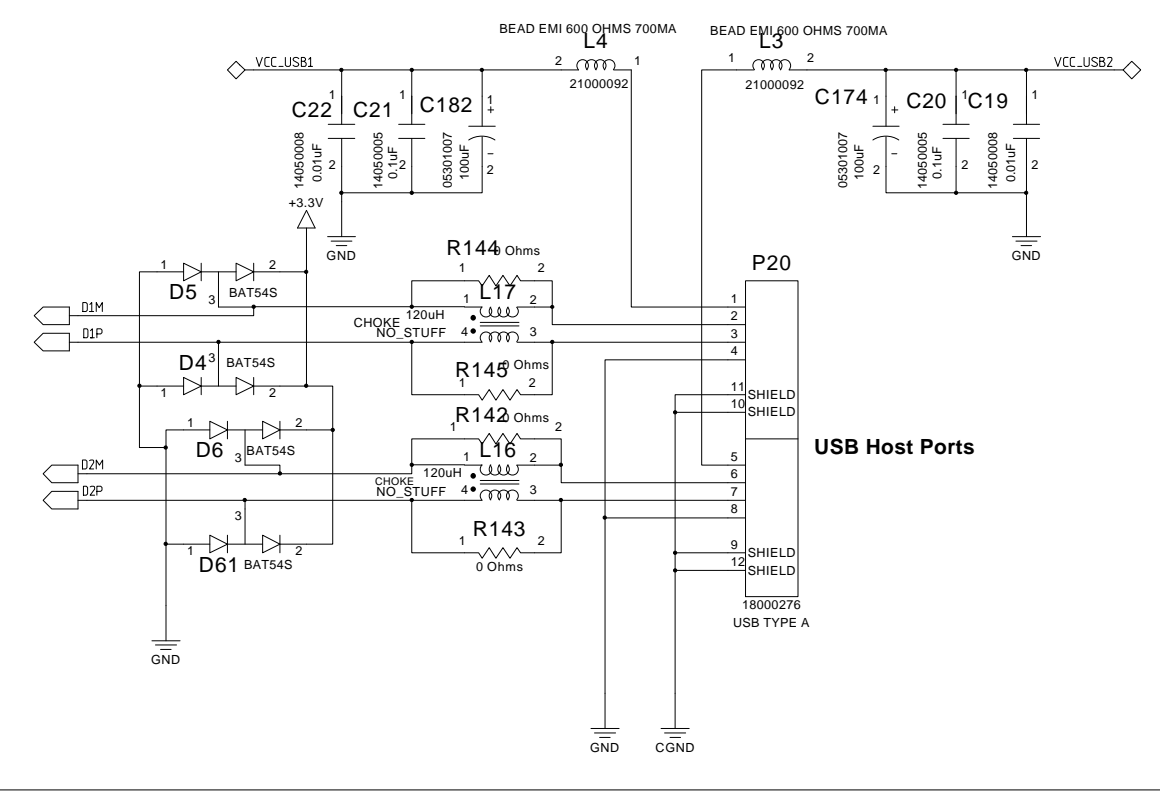


I2C Expanders

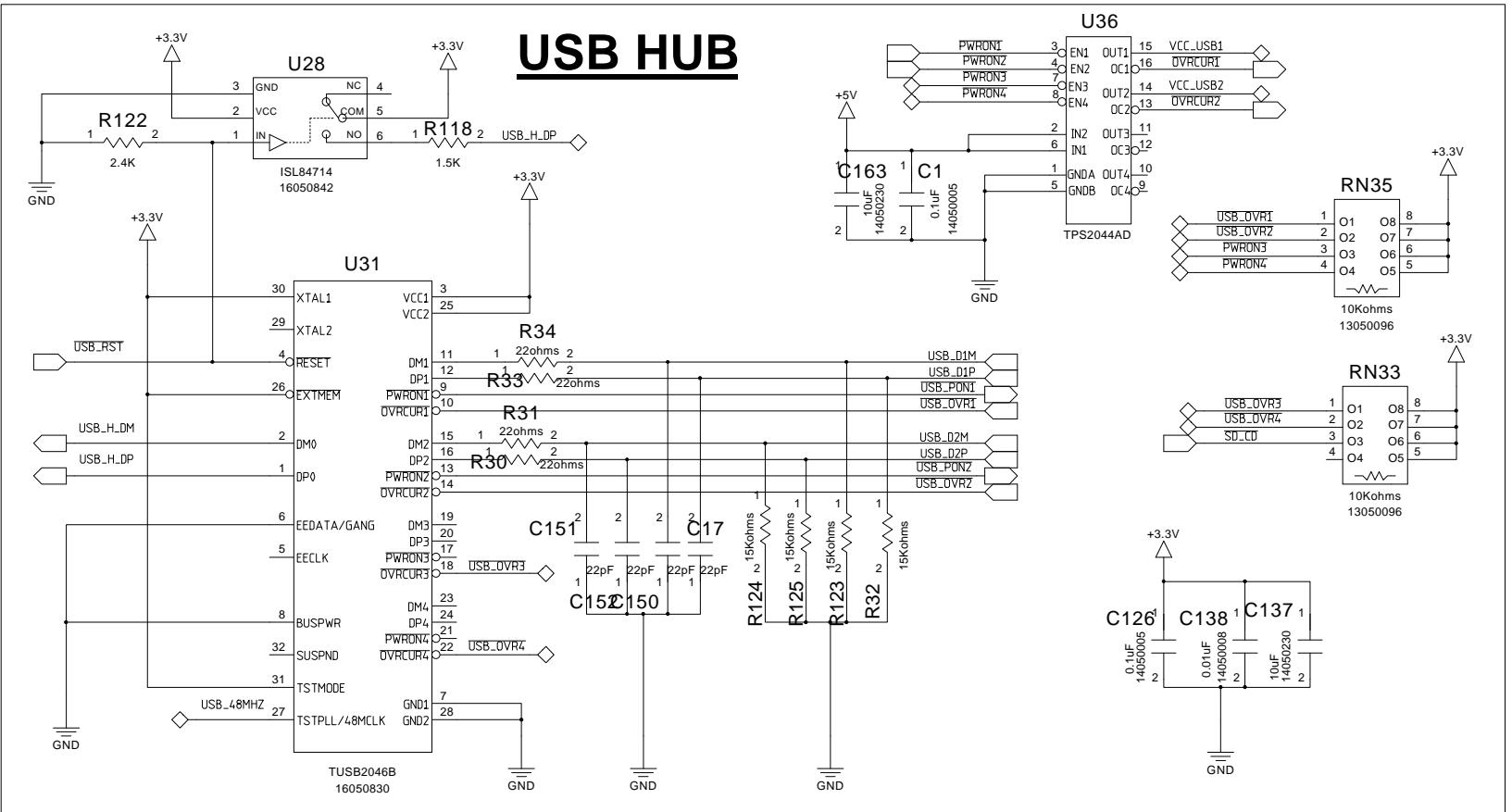


| | | | | | | |
|----------------------|------------|--|--------------------|----------|-------|----------|
| A | 103297 | NPRO RISK PRODUCTION BUILD | | | | |
| REV | ECO | DESCRIPTION OF CHANGE | BY | CKD | APPR | DATE |
| APPROVALS | DATE | <h1 style="text-align: center;">Digi</h1> <h2 style="text-align: center;">SPI Header and I2C Header</h2> | | | | |
| DESIGNED | 05/12/2005 | | | | | |
| DRAWN | 05/12/2005 | | | | | |
| CHECKED | 05/12/2005 | | | | | |
| ENGINEER | 05/12/2005 | | | | | |
| 01:50:35 PM | | SIZE | PART NO. | REV | | |
| | | D | 30006541-01 | A | | |
| DO NOT SCALE DRAWING | | | SCALE: NTS | VERIBEST | SHEET | 4 |

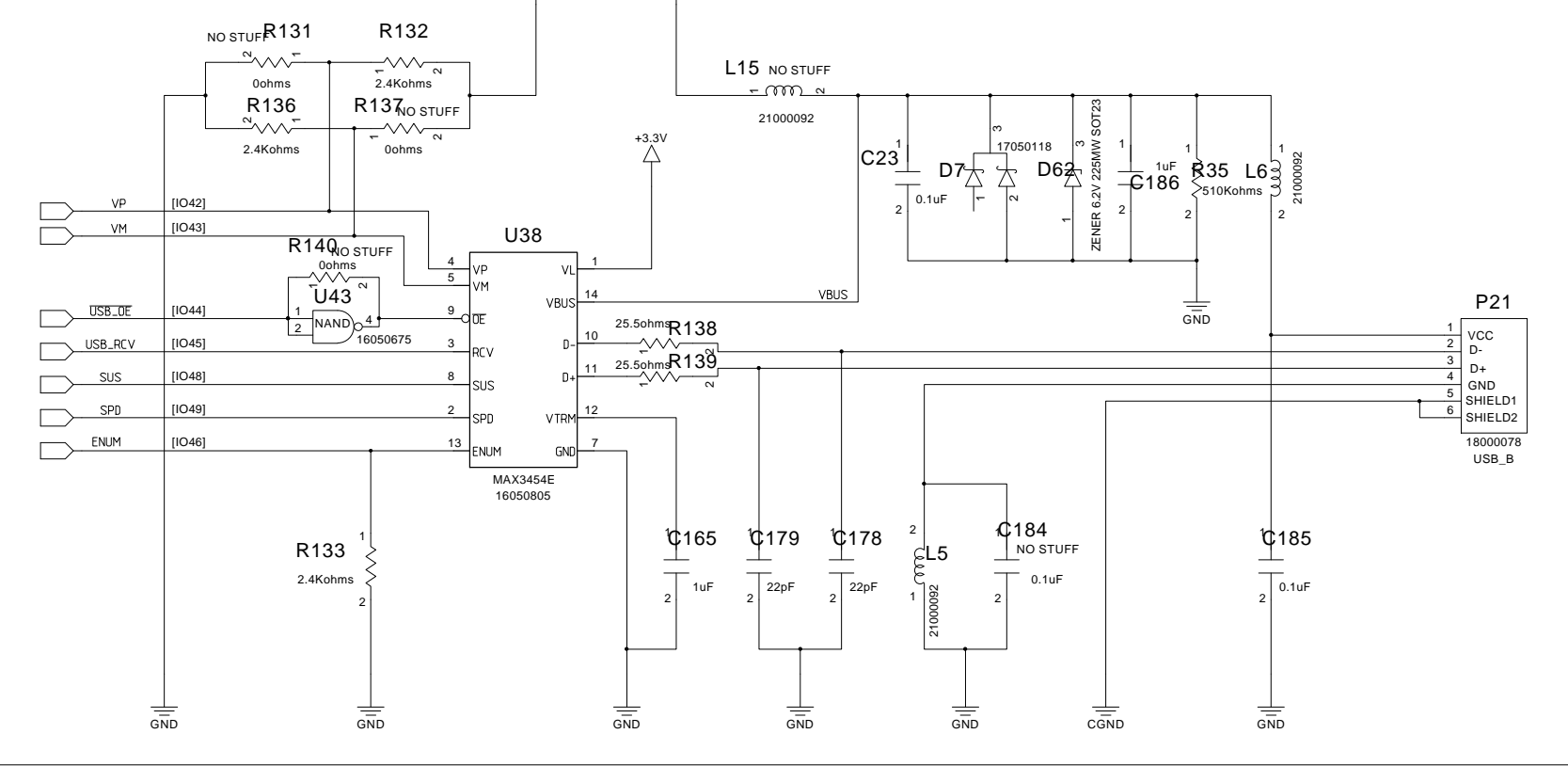
USB HOST



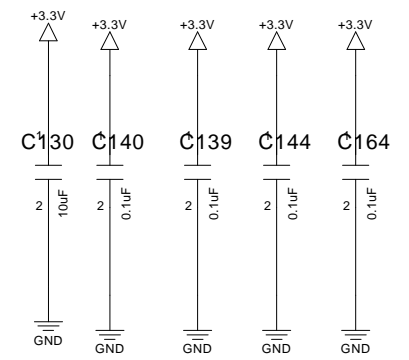
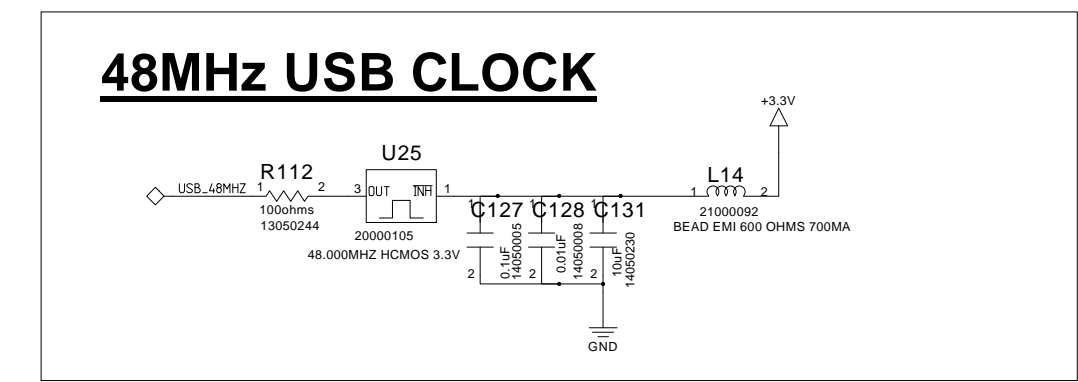
USB HUB



USB DEVICE

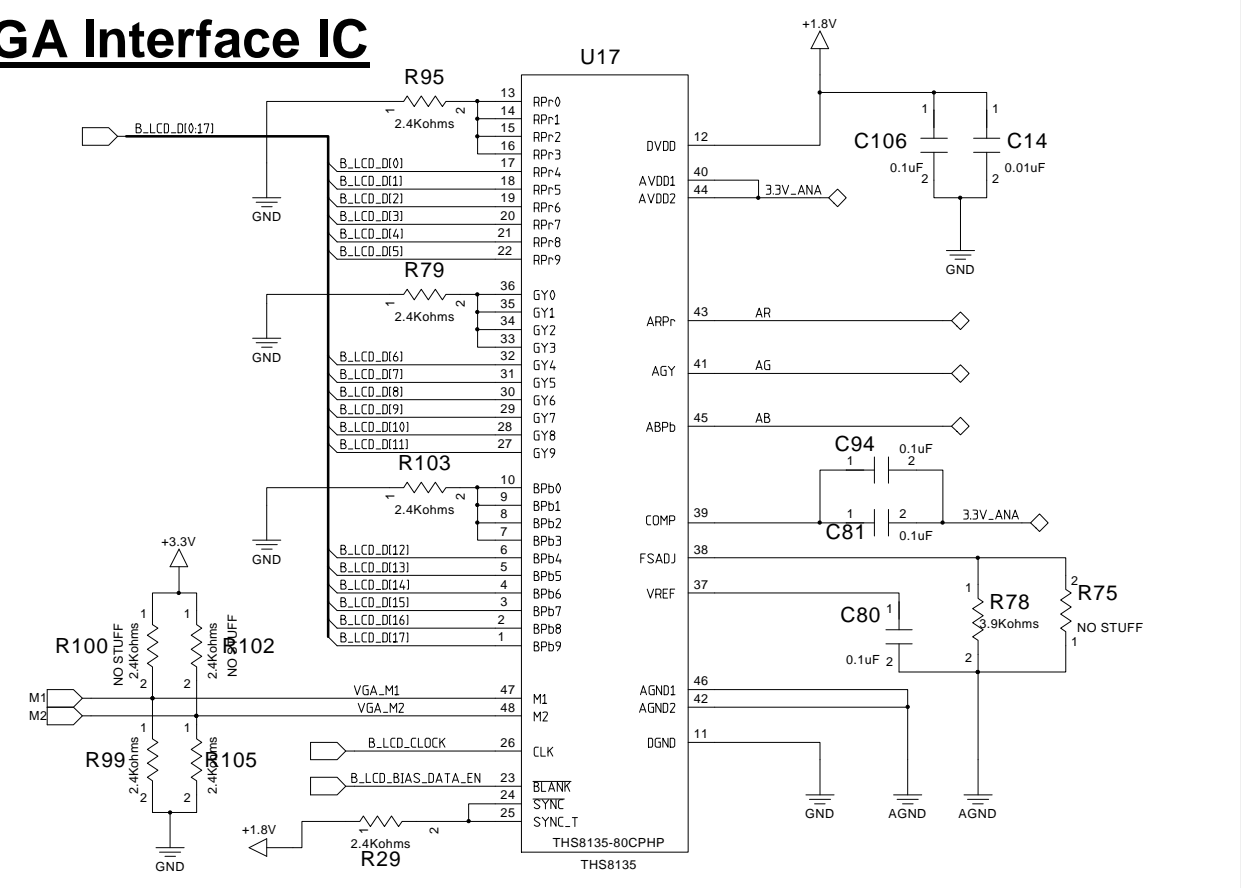


48MHz USB CLOCK

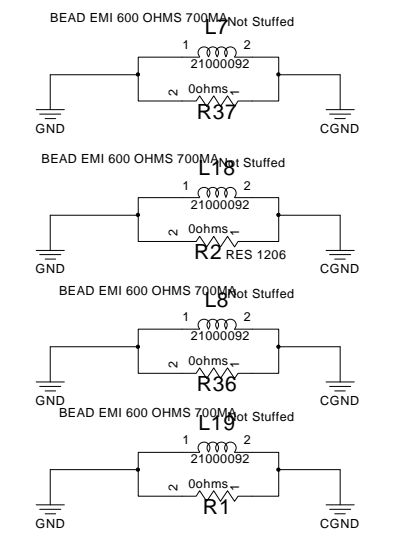
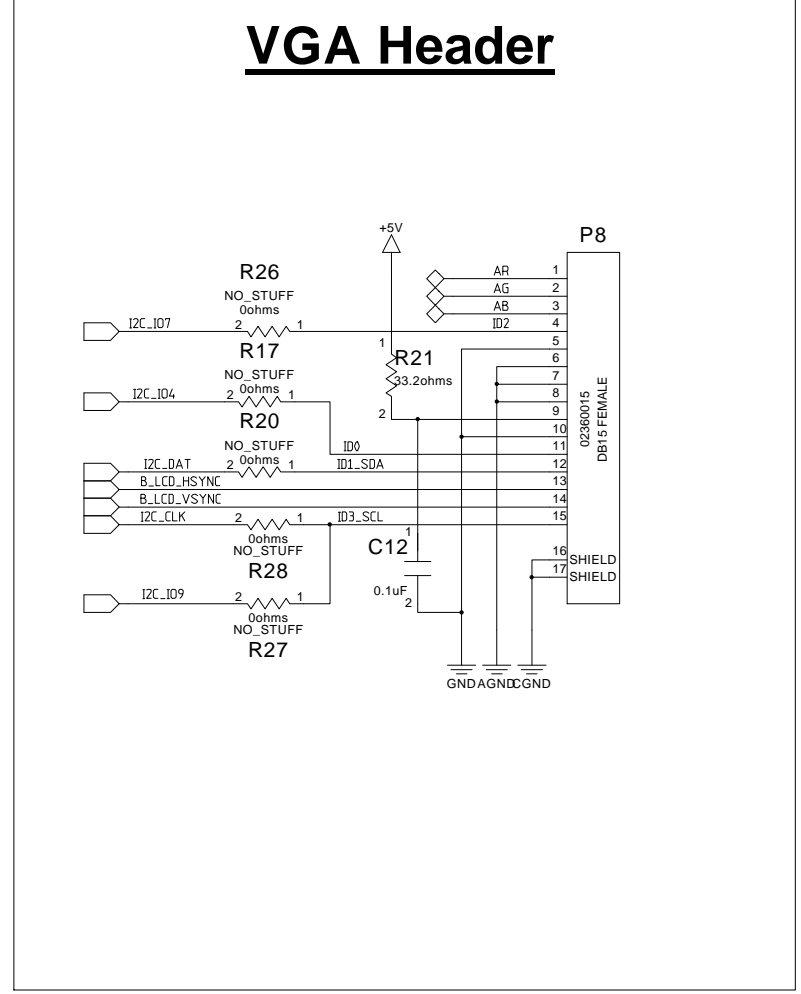


| | | | | | | |
|----------------------|------------|--|-------------|-------|------|------|
| A | 103297 | NPRO RISK PRODUCTION BUILD | | | | |
| REV | ECO | DESCRIPTION OF CHANGE | BY | CKD | APPR | DATE |
| APPROVALS | DATE | <h1 style="text-align: center;">Digi</h1> <h2 style="text-align: center;">USB Host and Device</h2> | | | | |
| DESIGNED | 05/12/2005 | | | | | |
| DRAWN | 05/12/2005 | | | | | |
| CHECKED | 05/12/2005 | | | | | |
| ENGINEER | 05/12/2005 | | | | | |
| 01:50:35 PM | | SIZE | PART NO. | REV | | |
| DO NOT SCALE DRAWING | | D | 30006541-01 | A | | |
| | | SCALE: NTS | VERIBEST | SHEET | 5 | |

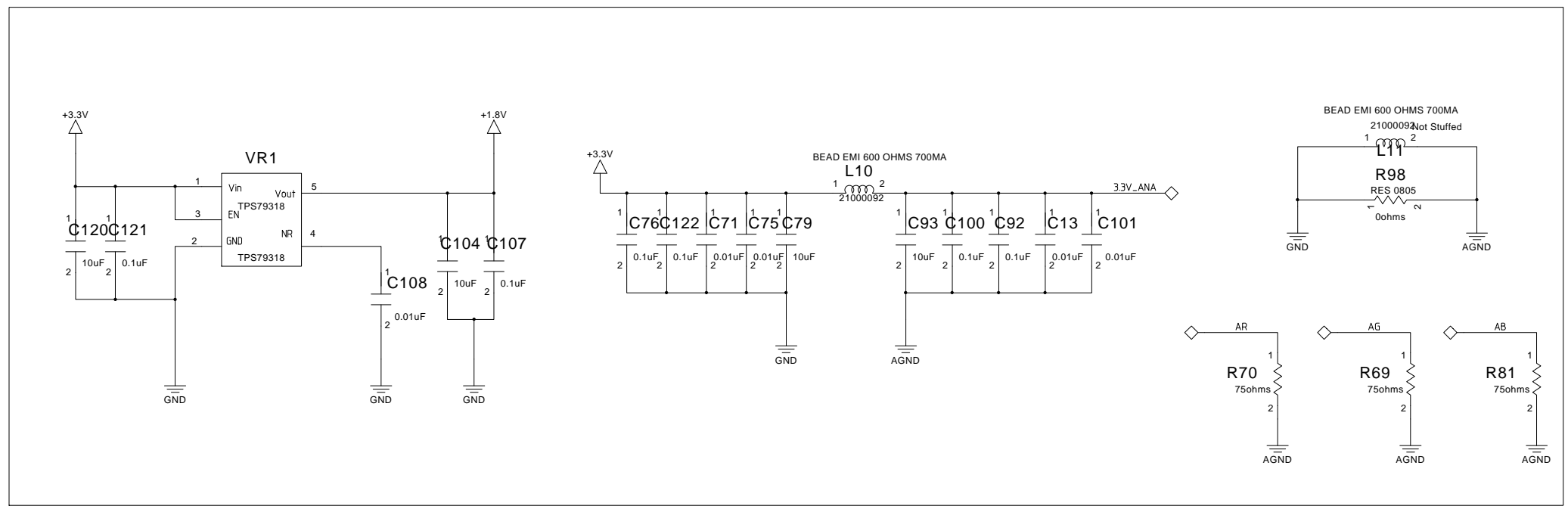
VGA Interface IC



VGA Header

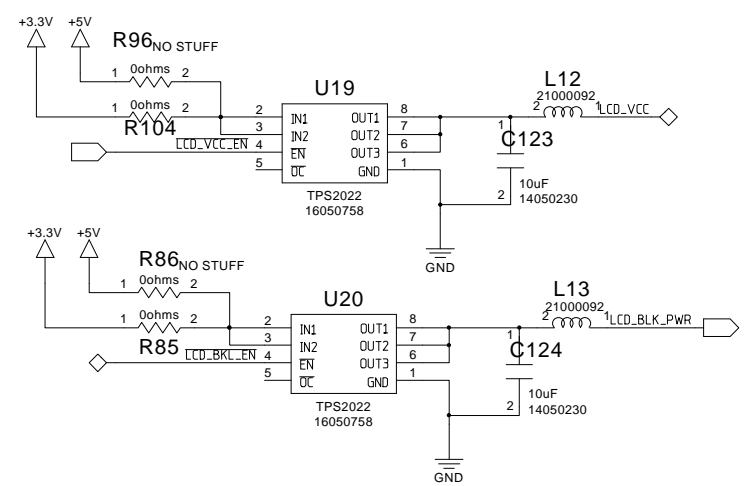
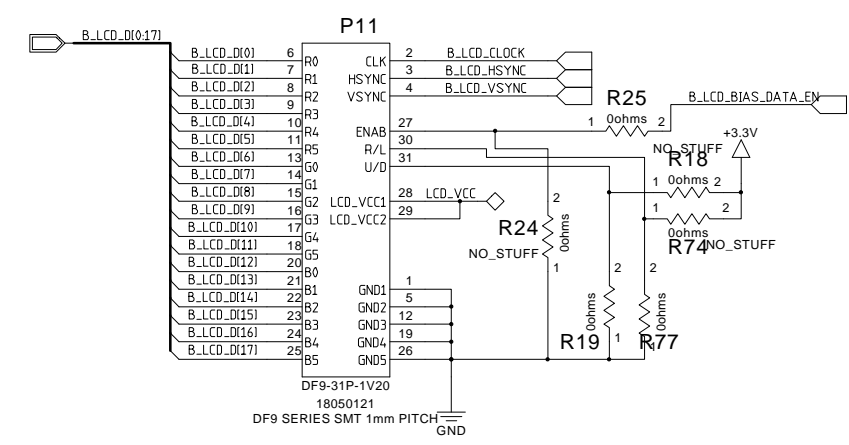


Shorting Of GND and CGND at four corners of the board

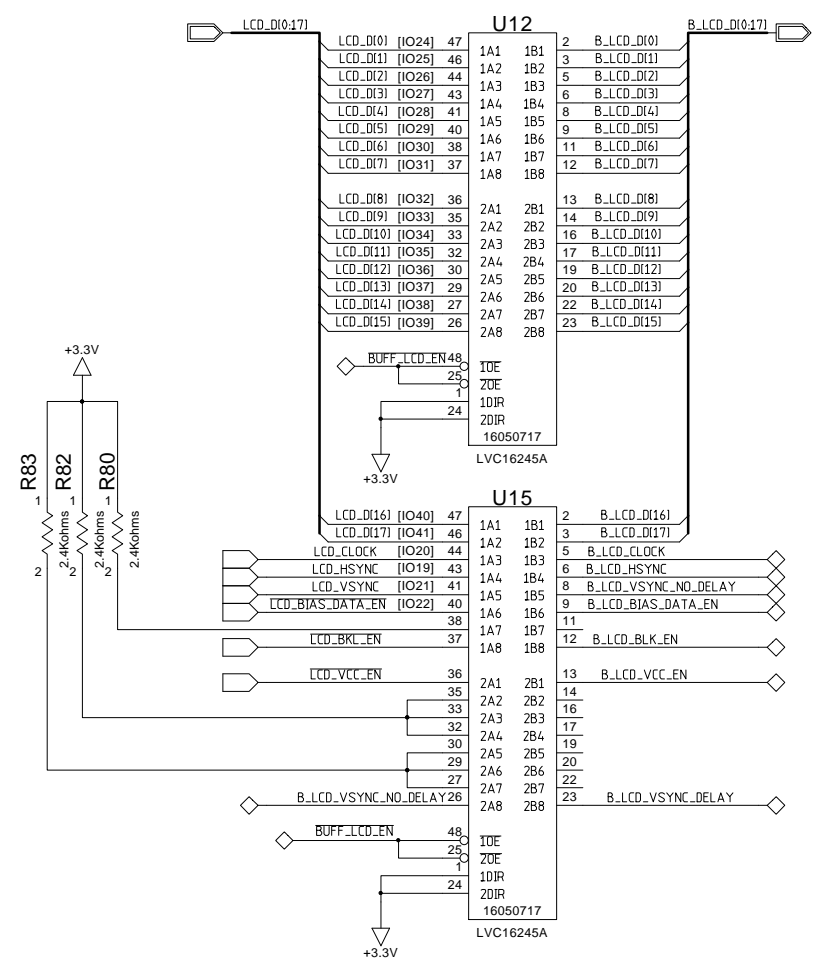


| | | | | | | |
|----------------------|------------|----------------------------|----------------------------|----------|----------|------|
| REV | ECO | DESCRIPTION OF CHANGE | BY | CKD | APPR | DATE |
| A | 103297 | NPRO RISK PRODUCTION BUILD | | | | |
| APPROVALS | | DATE | <h1>Digi</h1> <h2>VGA</h2> | | | |
| DESIGNED | 05/12/2005 | | | | | |
| DRAWN | 05/12/2005 | | | | | |
| CHECKED | 05/12/2005 | | | | | |
| ENGINEER | 05/12/2005 | | | | | |
| 01:50:35 PM | | SIZE | PART NO. | REV | | |
| | | D | 30006541-01 | A | | |
| DO NOT SCALE DRAWING | | SCALE: NTS | VERIBEST | SHEET | 6 | |

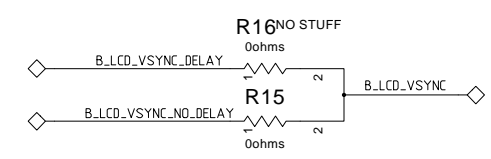
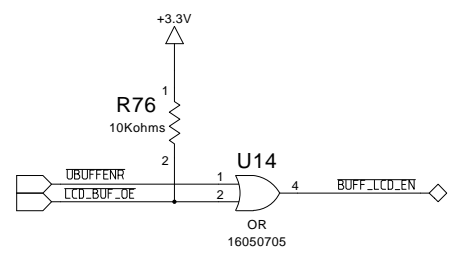
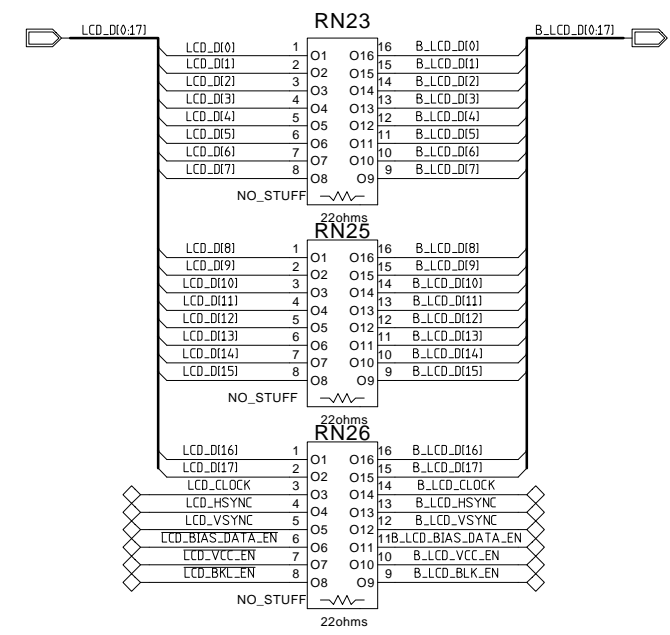
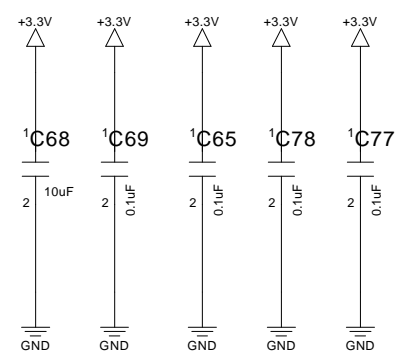
DF9-31 Connector



LCD INTERFACE

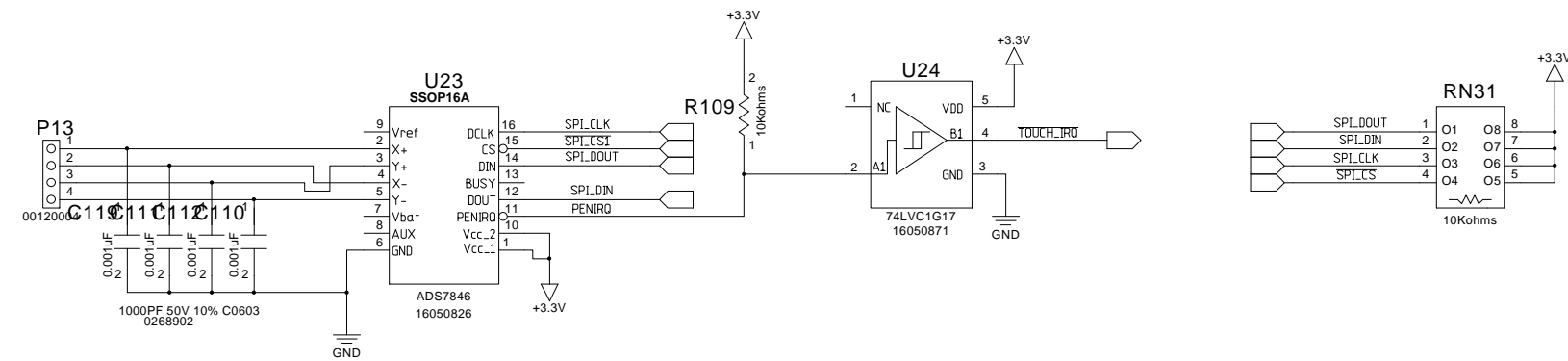


These resistors are used when no LCD is desired

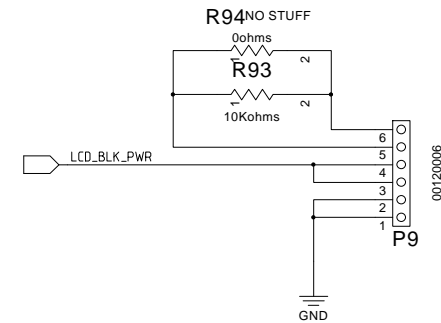


| | | | | | | | |
|-----------------------|-------------|--|----------------------------|-------|-----|------|------|
| REV | A | 103297 | NPRO RISK PRODUCTION BUILD | BY | CKD | APPR | DATE |
| DESCRIPTION OF CHANGE | | | | | | | |
| APPROVALS | DATE | <h1 style="text-align: center;">Digi</h1> <p style="text-align: center;">LCD Interface, DF9-31 Connector</p> | | | | | |
| DESIGNED | 05/12/2005 | | | | | | |
| DRAWN | 05/12/2005 | | | | | | |
| CHECKED | 05/12/2005 | | | | | | |
| ENGINEER | 05/12/2005 | | | | | | |
| SIZE | 01:50:35 PM | PART NO. | 30006541-01 | | REV | A | |
| DO NOT SCALE DRAWING | SCALE: | NTS | VERIBEST | SHEET | 7 | | |

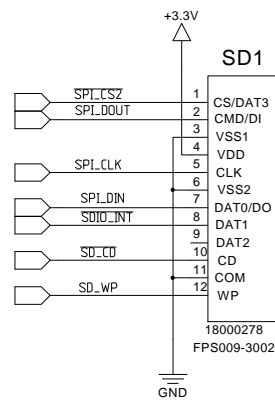
Touch Screen Interface



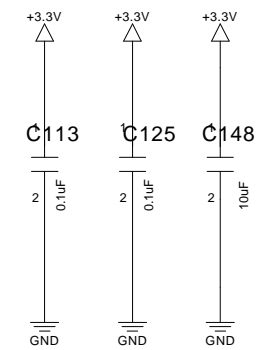
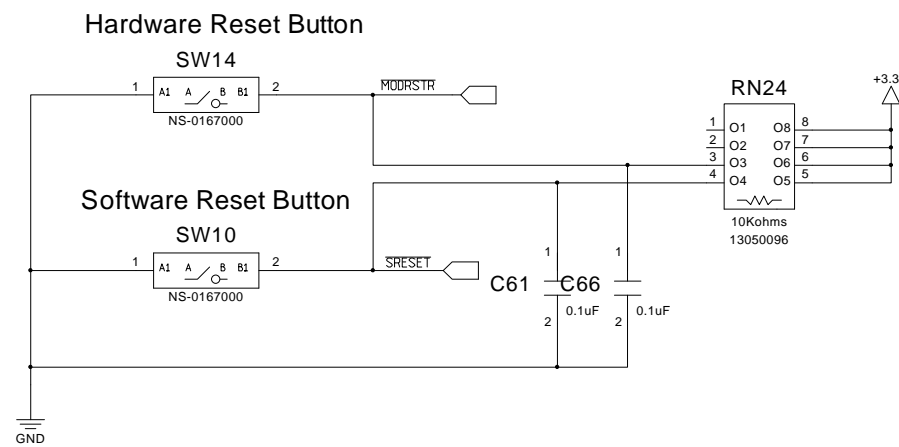
LCD Backlight Header



SD/MMC Card

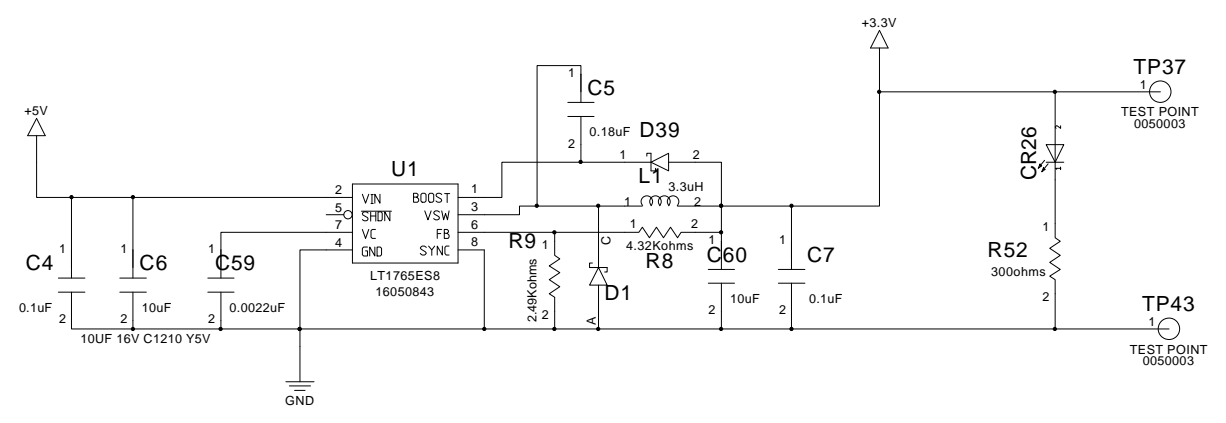


Hardware and Software Reset

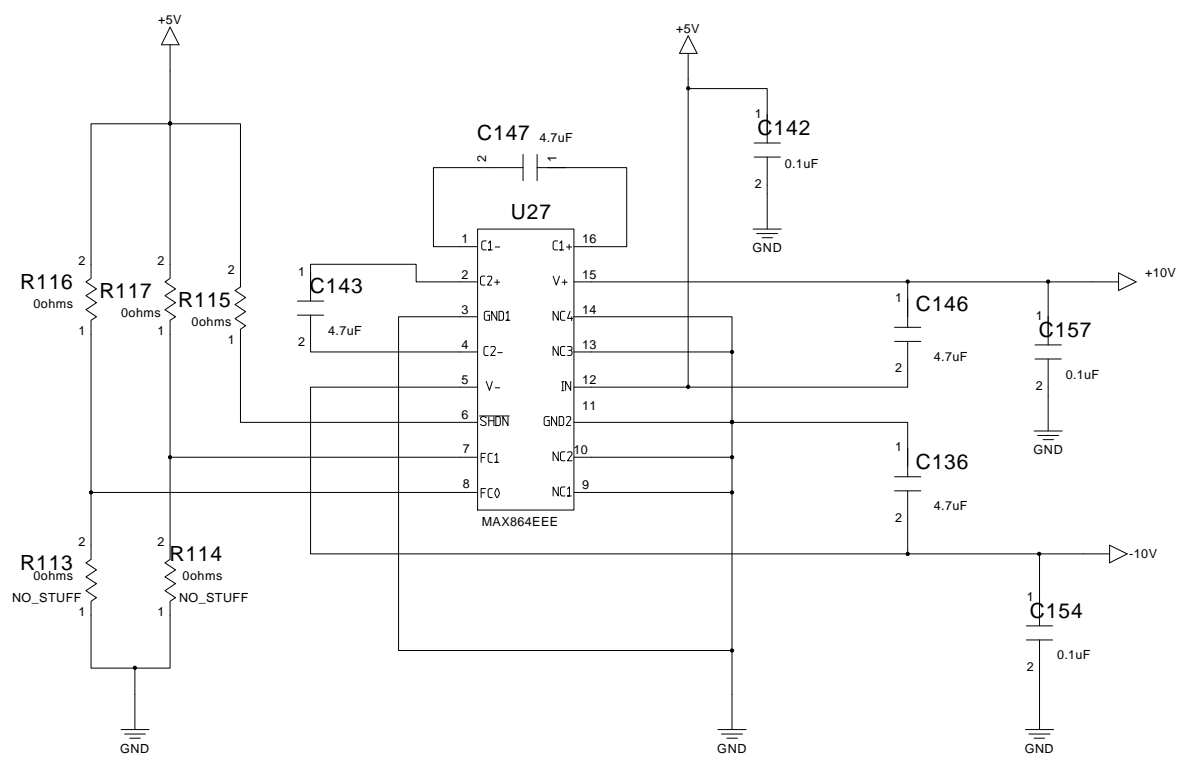
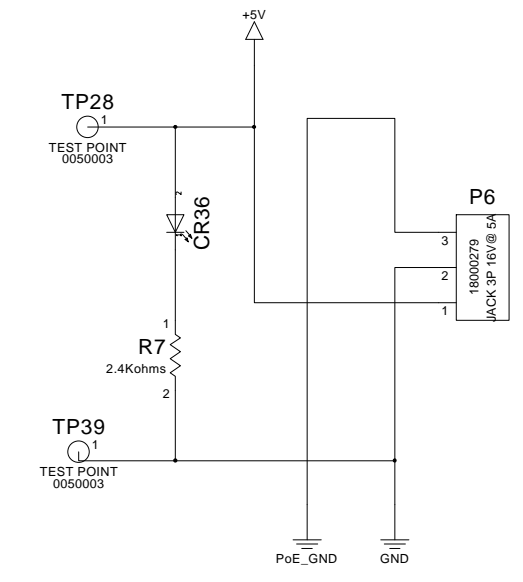


| | | | | | | |
|----------------------|------------|--|----------|-------|----------|------|
| A | 103297 | NPRO RISK PRODUCTION BUILD | | | | |
| REV | ECO | DESCRIPTION OF CHANGE | BY | CKD | APPR | DATE |
| APPROVALS | DATE | <h1 style="text-align: center;">Digi</h1> <p style="text-align: center;">TITLE: Touch Screen Interface, SD/MMC Card</p> <p style="text-align: center;">SIZE: D PART NO. 30006541-01 REV A</p> | | | | |
| DESIGNED | 05/12/2005 | | | | | |
| DRAWN | 05/12/2005 | | | | | |
| CHECKED | 05/12/2005 | | | | | |
| ENGINEER | 05/12/2005 | | | | | |
| 01:50:35 PM | | SCALE: NTS | VERIBEST | SHEET | 8 | |
| DO NOT SCALE DRAWING | | | | | | |

Main Power Supply 5V To 3.3V Regulator

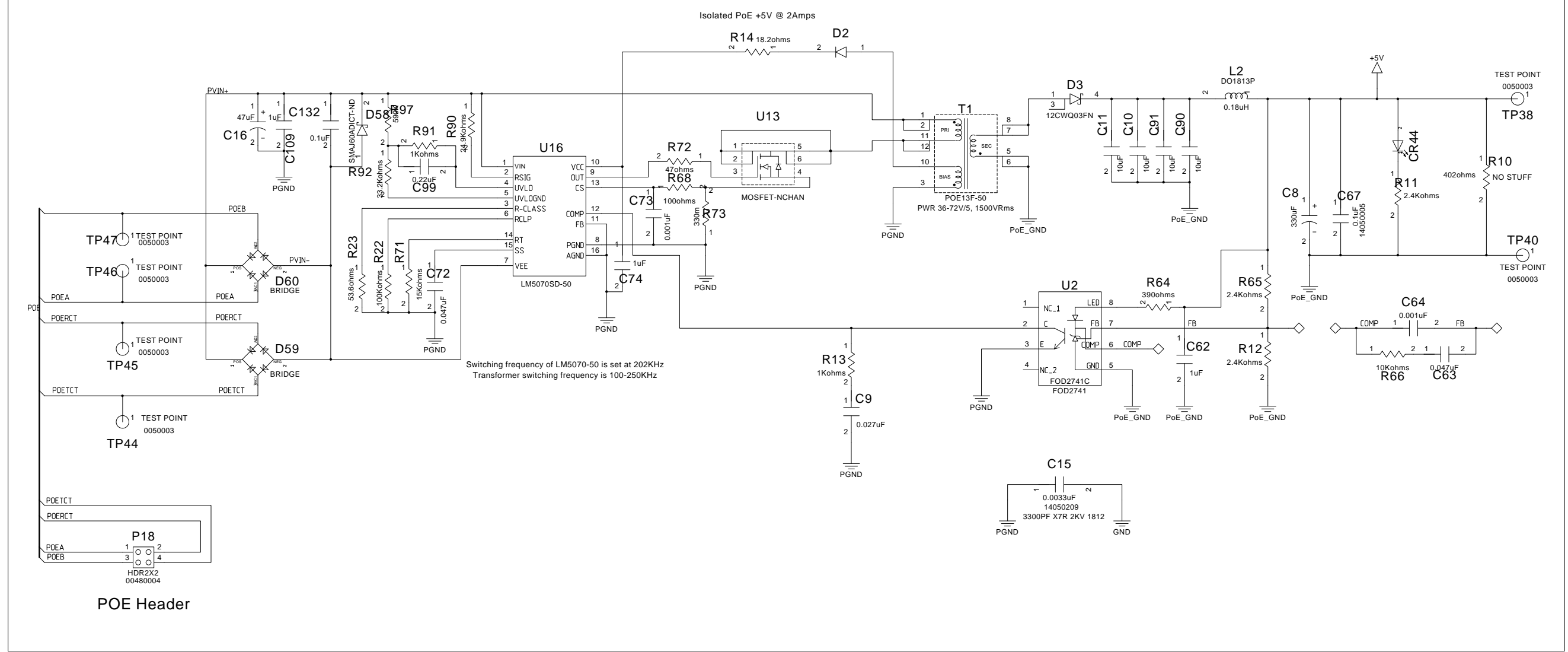


Input Power 5V



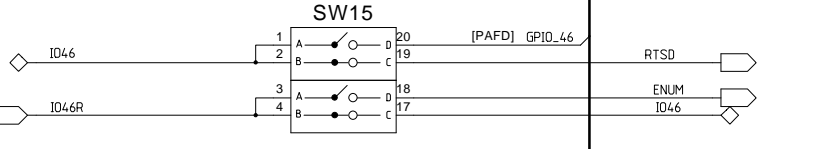
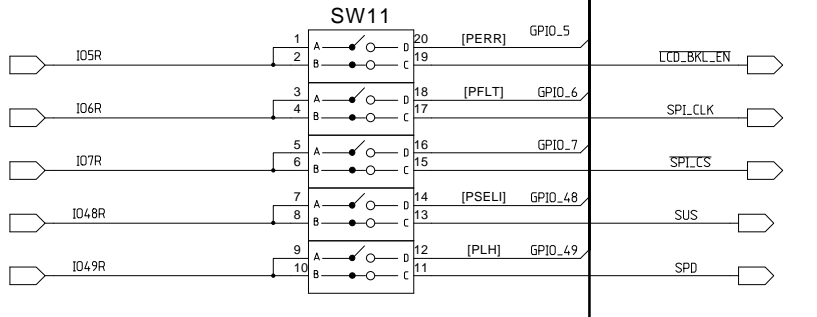
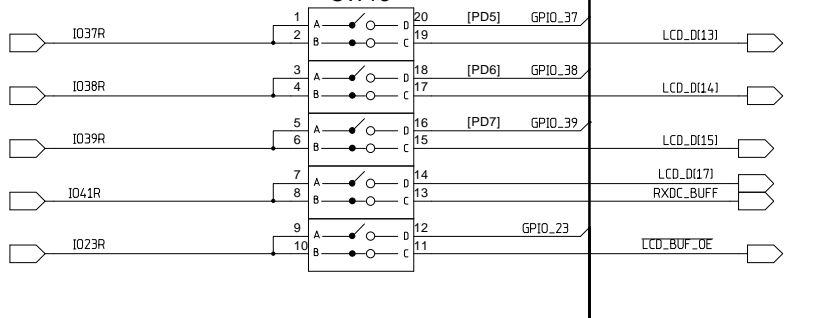
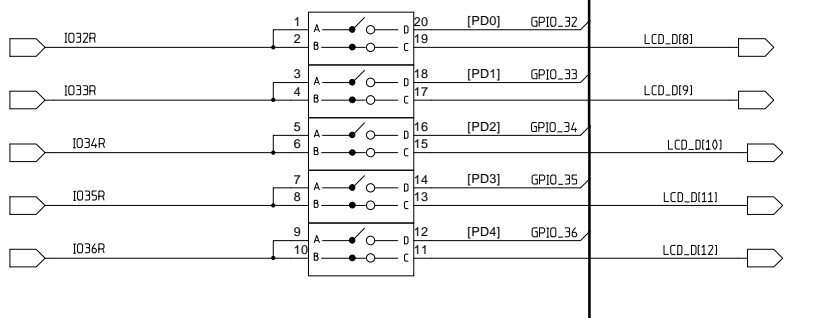
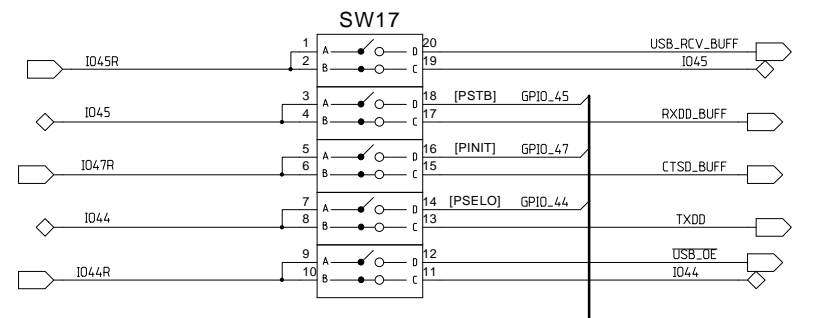
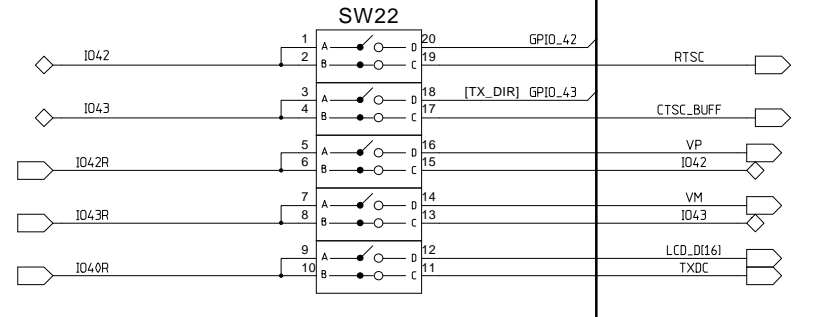
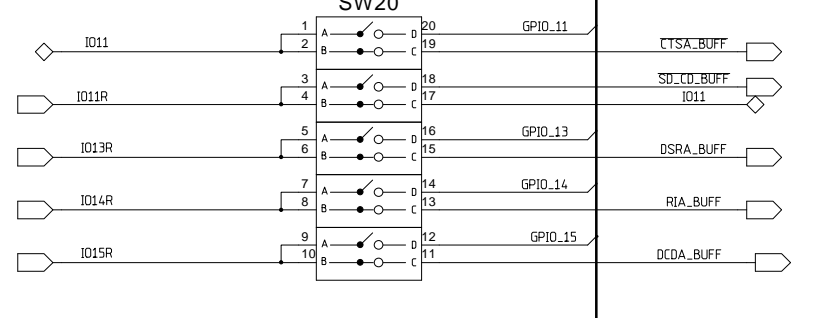
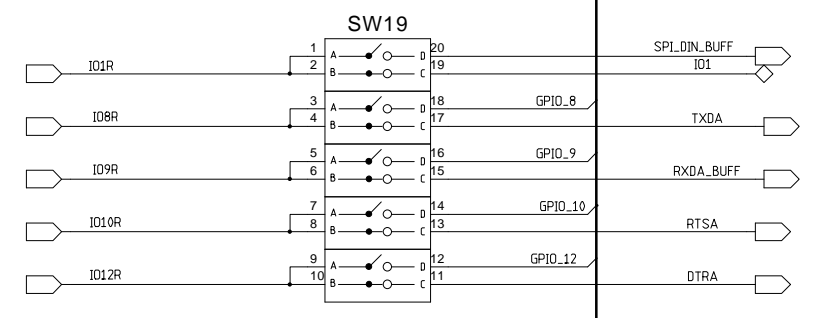
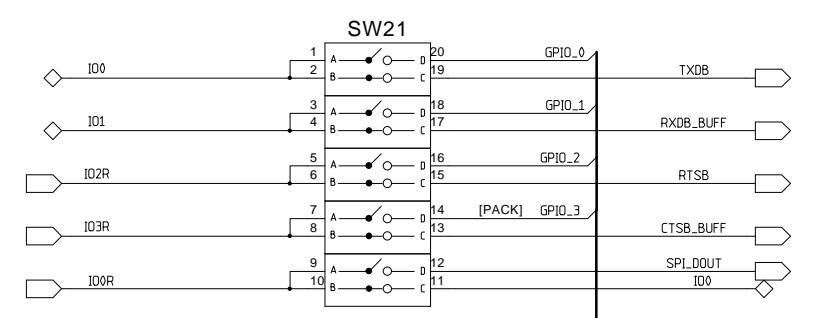
| | | | | | | |
|----------------------|--------|----------------------------|--|----------|-------|------|
| REV | ECO | DESCRIPTION OF CHANGE | BY | CKD | APPR | DATE |
| A | 103297 | NPRO RISK PRODUCTION BUILD | | | | |
| APPROVALS | | DATE | <p style="text-align: center;">Digi</p> <p style="text-align: center;">TITLE: Main Power Supply</p> <p style="text-align: center;">SIZE: D PART NO. 30006541-01 REV A</p> | | | |
| DESIGNED | | 05/12/2005 | | | | |
| DRAWN | | 05/12/2005 | | | | |
| CHECKED | | 05/12/2005 | | | | |
| ENGINEER | | 05/12/2005 | | | | |
| 01:50:35 PM | | | SCALE: NTS | VERIBEST | SHEET | 9 |
| DO NOT SCALE DRAWING | | | | | | |

Power Over Ethernet



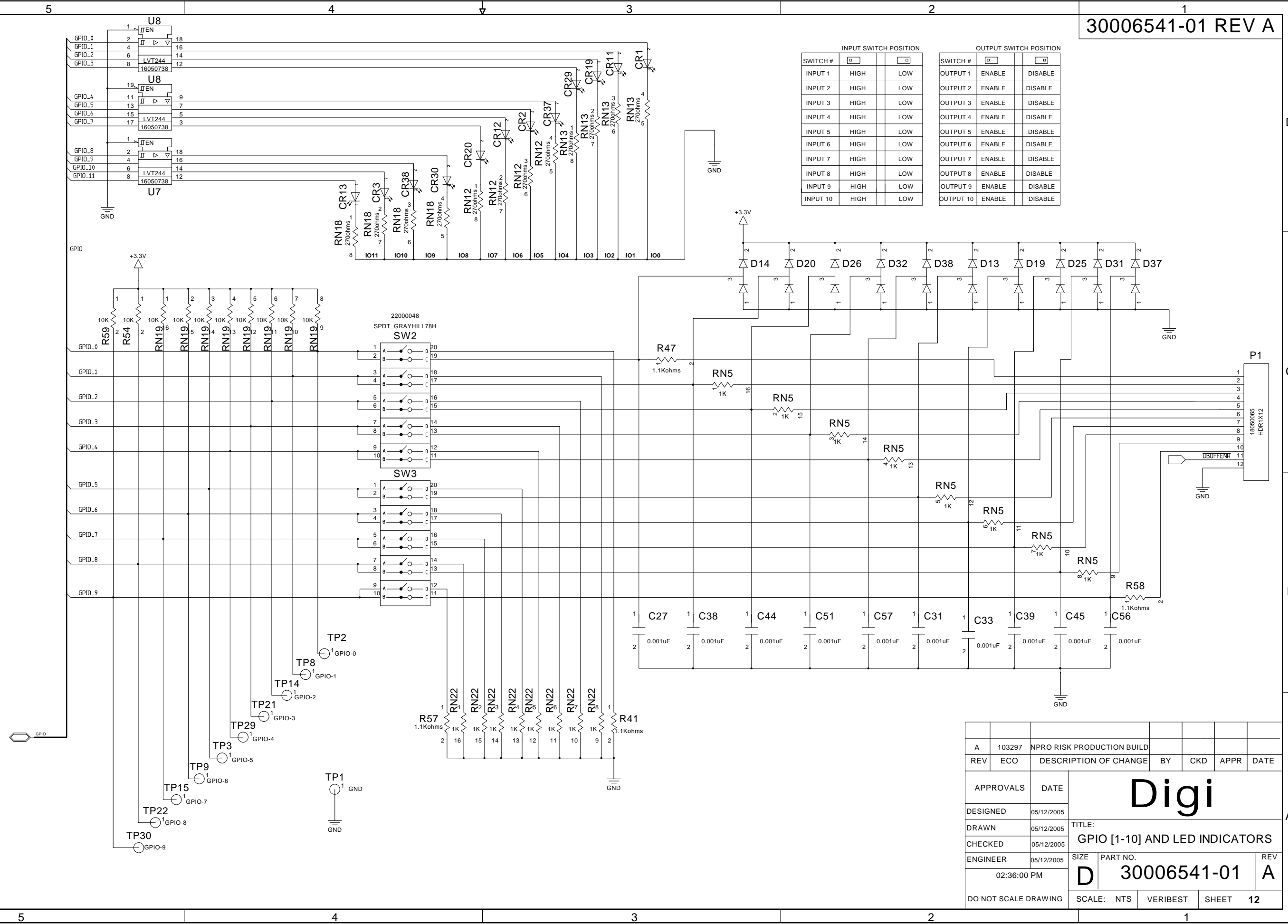
| | | | | | | |
|----------------------|------------|----------------------------|--|-------|------|------|
| A | 103297 | NPRO RISK PRODUCTION BUILD | | | | |
| REV | ECO | DESCRIPTION OF CHANGE | BY | CKD | APPR | DATE |
| APPROVALS | | DATE | <h1 style="text-align: center;">Digi</h1> <p style="text-align: center;">TITLE: Power Over Ethernet</p> <p style="text-align: center;">SIZE PART NO. REV D 30006541-01 A</p> | | | |
| DESIGNED | 05/12/2005 | | | | | |
| DRAWN | 05/12/2005 | | | | | |
| CHECKED | 05/12/2005 | | | | | |
| ENGINEER | 05/12/2005 | | | | | |
| 01:50:35 PM | | SCALE: NTS | VERIBEST | SHEET | 10 | |
| DO NOT SCALE DRAWING | | | | | | |

Dip Switch Banks For Selecting Multifunction GPIO Pins



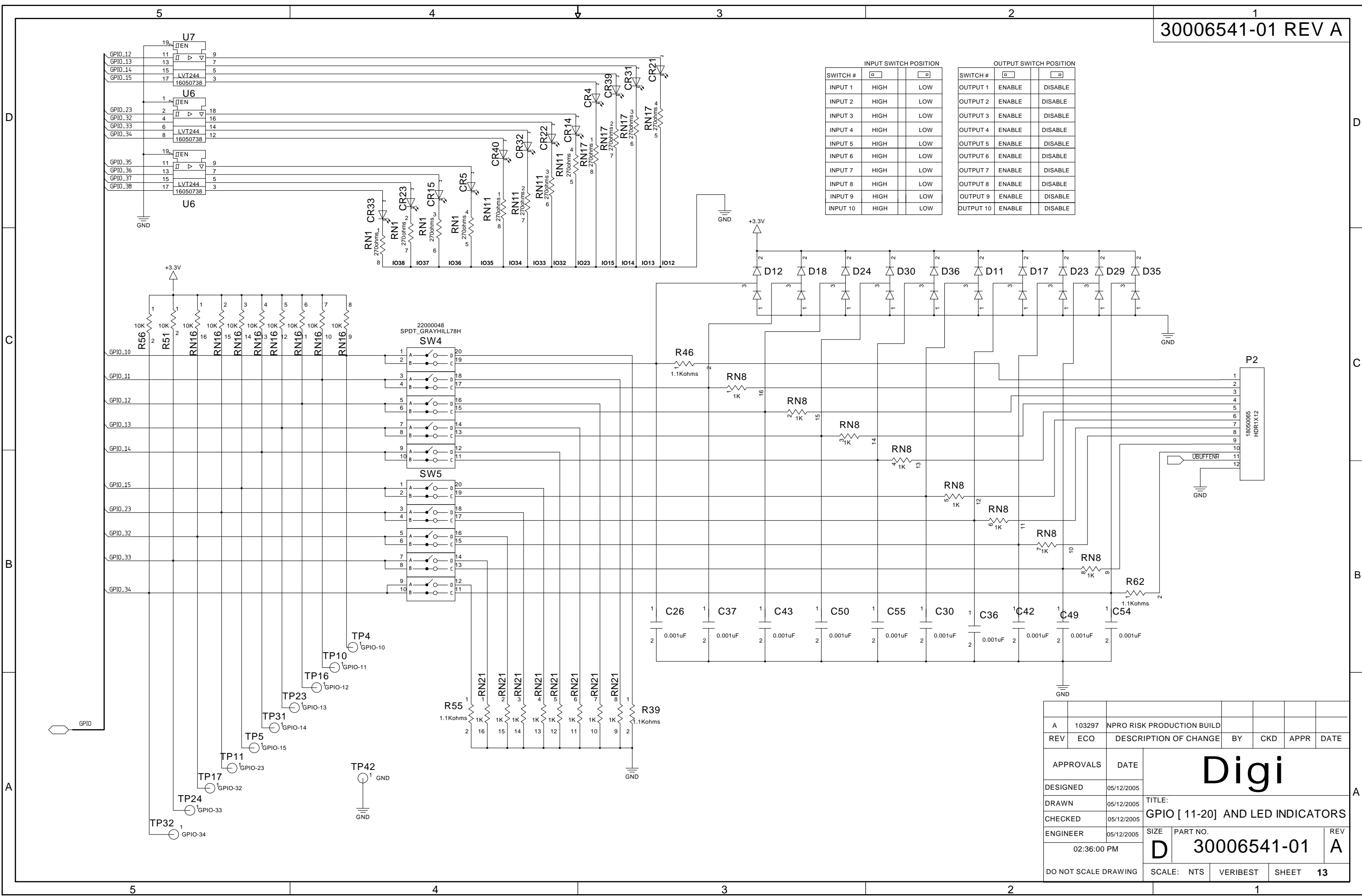
| | | | | | | | |
|----------------------|------------|--|----------------------------|-------|-----|------|------|
| REV | A | 103297 | NPRO RISK PRODUCTION BUILD | BY | CKD | APPR | DATE |
| APPROVALS | DATE | <div style="text-align: center;"> <h1>Digi</h1> <h2>TITLE: DIP SWITCH BANK</h2> <p>SIZE: D PART NO. 30006541-01 REV A</p> <p>01:50:35 PM</p> </div> | | | | | |
| DESIGNED | 05/12/2005 | | | | | | |
| DRAWN | 05/12/2005 | | | | | | |
| CHECKED | 05/12/2005 | | | | | | |
| ENGINEER | 05/12/2005 | | | | | | |
| DO NOT SCALE DRAWING | | SCALE: NTS | VERIBEST | SHEET | 11 | | |

| INPUT SWITCH POSITION | | | OUTPUT SWITCH POSITION | | |
|-----------------------|--------------------------|--------------------------|------------------------|--------------------------|--------------------------|
| SWITCH # | <input type="checkbox"/> | <input type="checkbox"/> | SWITCH # | <input type="checkbox"/> | <input type="checkbox"/> |
| INPUT 1 | HIGH | LOW | OUTPUT 1 | ENABLE | DISABLE |
| INPUT 2 | HIGH | LOW | OUTPUT 2 | ENABLE | DISABLE |
| INPUT 3 | HIGH | LOW | OUTPUT 3 | ENABLE | DISABLE |
| INPUT 4 | HIGH | LOW | OUTPUT 4 | ENABLE | DISABLE |
| INPUT 5 | HIGH | LOW | OUTPUT 5 | ENABLE | DISABLE |
| INPUT 6 | HIGH | LOW | OUTPUT 6 | ENABLE | DISABLE |
| INPUT 7 | HIGH | LOW | OUTPUT 7 | ENABLE | DISABLE |
| INPUT 8 | HIGH | LOW | OUTPUT 8 | ENABLE | DISABLE |
| INPUT 9 | HIGH | LOW | OUTPUT 9 | ENABLE | DISABLE |
| INPUT 10 | HIGH | LOW | OUTPUT 10 | ENABLE | DISABLE |

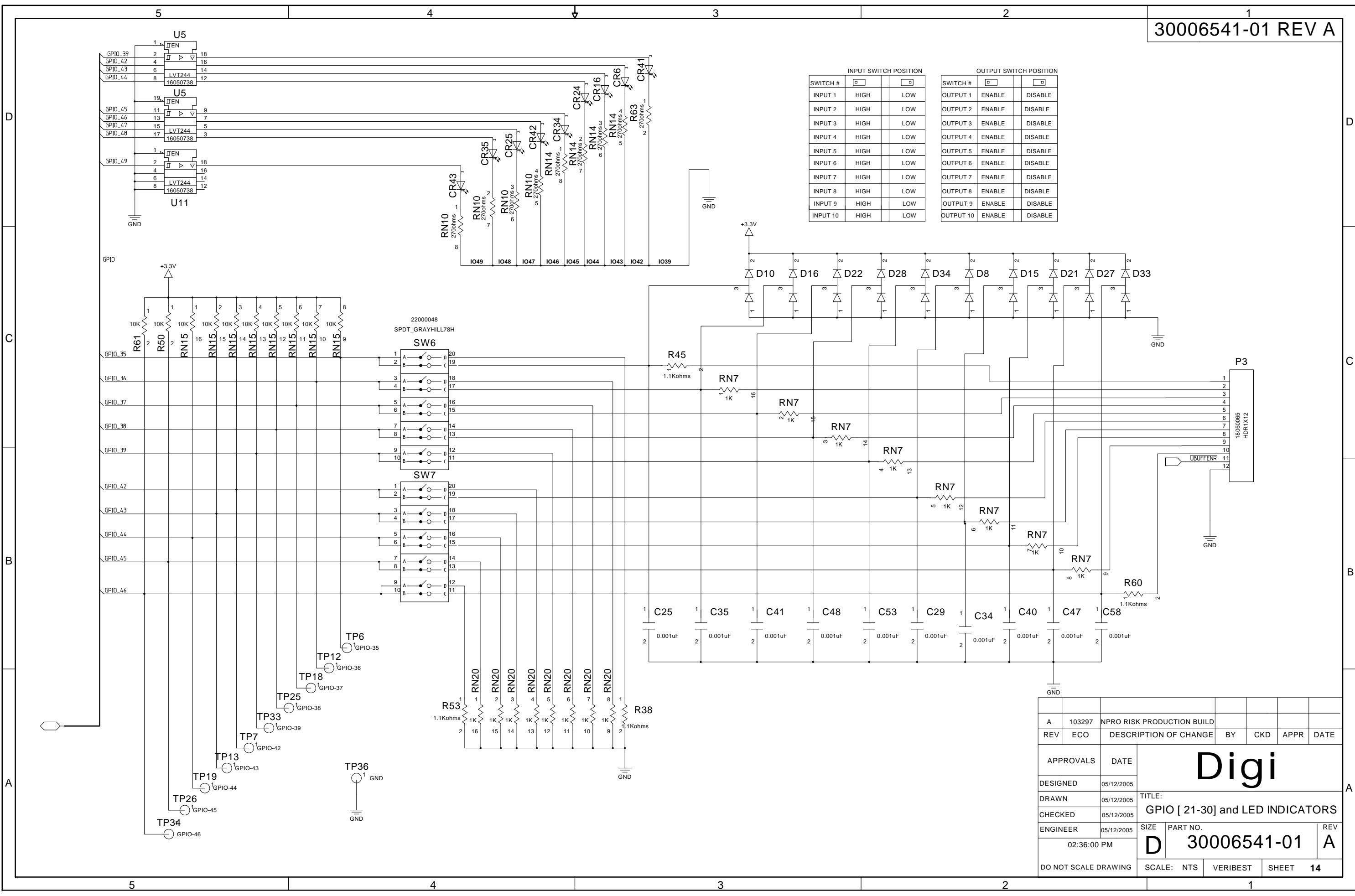


| | | | | | | |
|----------------------|------------|----------------------------|---|----------|-------|------|
| A | 103297 | NPRO RISK PRODUCTION BUILD | | | | |
| REV | ECO | DESCRIPTION OF CHANGE | BY | CKD | APPR | DATE |
| APPROVALS | | DATE | <h1 style="text-align: center;">Digi</h1> <p style="text-align: center;">TITLE: GPIO [1-10] AND LED INDICATORS</p> <p style="text-align: center;">SIZE PART NO. REV D 30006541-01 A</p> | | | |
| DESIGNED | 05/12/2005 | | | | | |
| DRAWN | 05/12/2005 | | | | | |
| CHECKED | 05/12/2005 | | | | | |
| ENGINEER | 05/12/2005 | | | | | |
| 02:36:00 PM | | | SCALE: NTS | VERIBEST | SHEET | 12 |
| DO NOT SCALE DRAWING | | | | | | |

| INPUT SWITCH POSITION | | | OUTPUT SWITCH POSITION | | |
|-----------------------|--------------------------|--------------------------|------------------------|--------------------------|--------------------------|
| SWITCH # | <input type="checkbox"/> | <input type="checkbox"/> | SWITCH # | <input type="checkbox"/> | <input type="checkbox"/> |
| INPUT 1 | HIGH | LOW | OUTPUT 1 | ENABLE | DISABLE |
| INPUT 2 | HIGH | LOW | OUTPUT 2 | ENABLE | DISABLE |
| INPUT 3 | HIGH | LOW | OUTPUT 3 | ENABLE | DISABLE |
| INPUT 4 | HIGH | LOW | OUTPUT 4 | ENABLE | DISABLE |
| INPUT 5 | HIGH | LOW | OUTPUT 5 | ENABLE | DISABLE |
| INPUT 6 | HIGH | LOW | OUTPUT 6 | ENABLE | DISABLE |
| INPUT 7 | HIGH | LOW | OUTPUT 7 | ENABLE | DISABLE |
| INPUT 8 | HIGH | LOW | OUTPUT 8 | ENABLE | DISABLE |
| INPUT 9 | HIGH | LOW | OUTPUT 9 | ENABLE | DISABLE |
| INPUT 10 | HIGH | LOW | OUTPUT 10 | ENABLE | DISABLE |



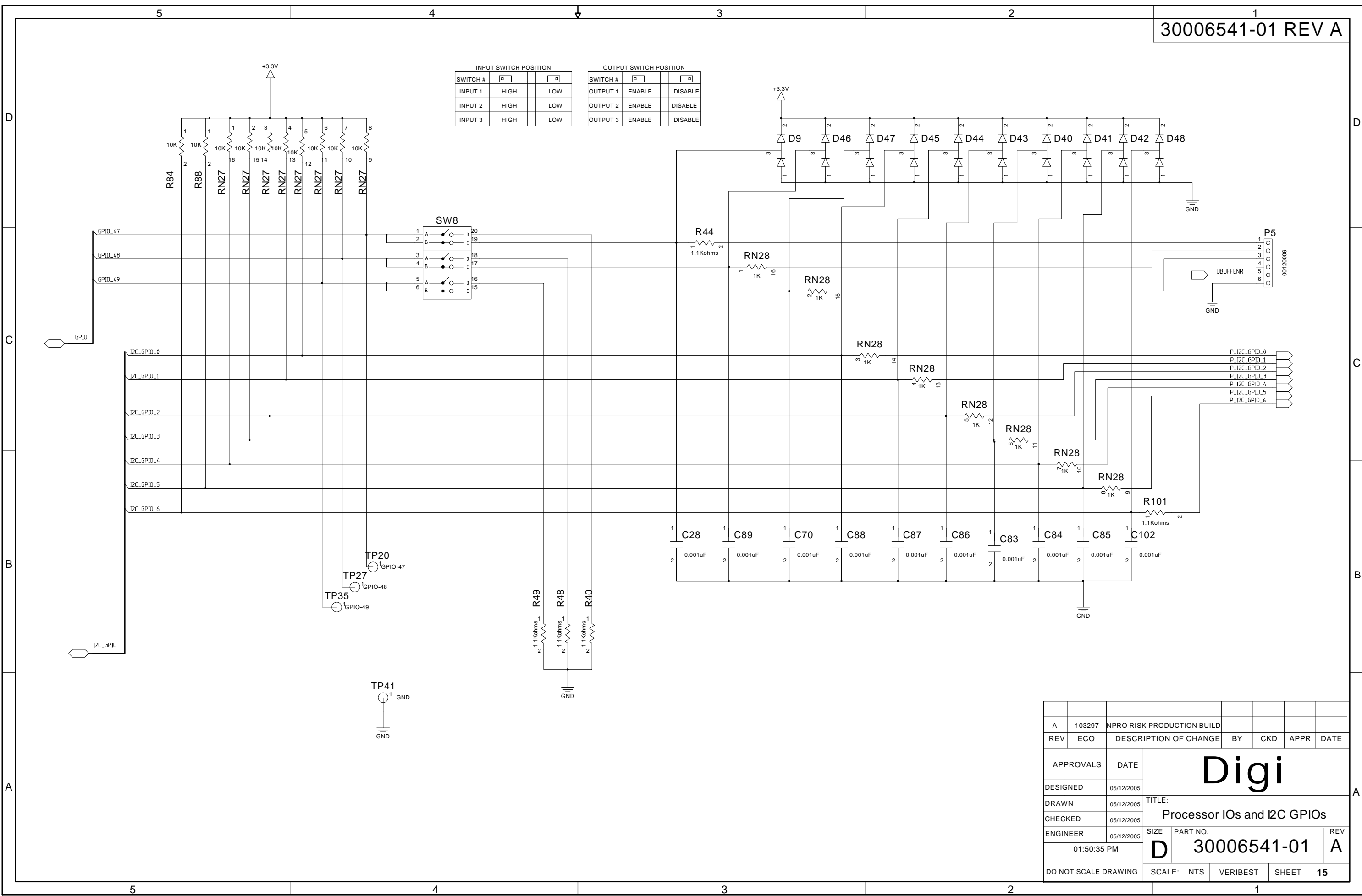
| | | | | | | |
|-------------|--------|----------------------------|----|--|------|------|
| A | 103297 | NPRO RISK PRODUCTION BUILD | | | | |
| REV | ECO | DESCRIPTION OF CHANGE | BY | CKD | APPR | DATE |
| APPROVALS | | DATE | | <h1 style="text-align: center;">Digi</h1> <p style="text-align: center;">TITLE: GPIO [11-20] AND LED INDICATORS</p> <p style="text-align: center;">SIZE PART NO. REV D 30006541-01 A</p> | | |
| DESIGNED | | 05/12/2005 | | | | |
| DRAWN | | 05/12/2005 | | | | |
| CHECKED | | 05/12/2005 | | | | |
| ENGINEER | | 05/12/2005 | | | | |
| 02:36:00 PM | | | | DO NOT SCALE DRAWING | | |
| SCALE: NTS | | VERIBEST | | SHEET | | 13 |



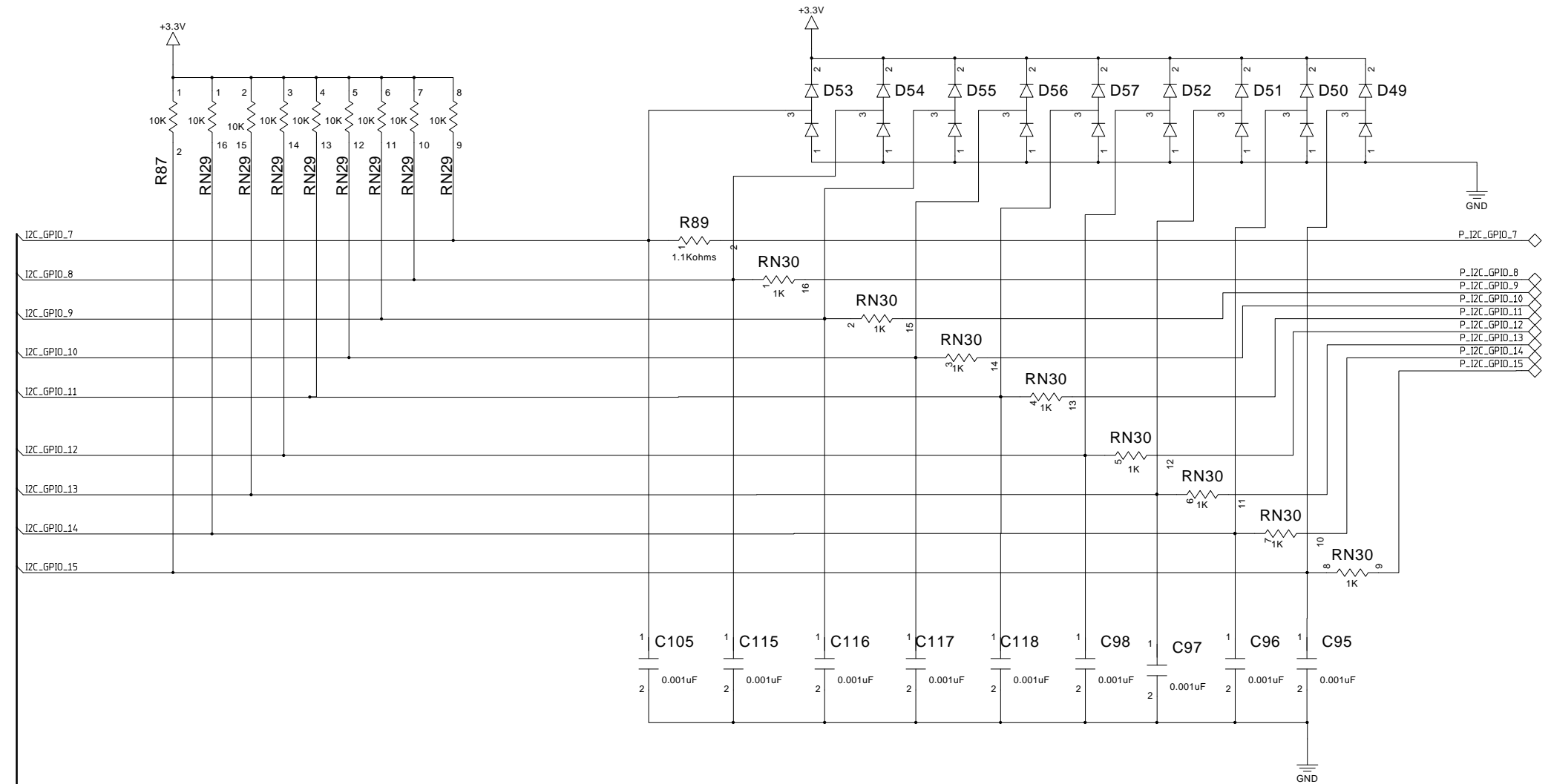
| INPUT SWITCH POSITION | | | OUTPUT SWITCH POSITION | | |
|-----------------------|--------------------------|--------------------------|------------------------|--------------------------|--------------------------|
| SWITCH # | <input type="checkbox"/> | <input type="checkbox"/> | SWITCH # | <input type="checkbox"/> | <input type="checkbox"/> |
| INPUT 1 | HIGH | LOW | OUTPUT 1 | ENABLE | DISABLE |
| INPUT 2 | HIGH | LOW | OUTPUT 2 | ENABLE | DISABLE |
| INPUT 3 | HIGH | LOW | OUTPUT 3 | ENABLE | DISABLE |
| INPUT 4 | HIGH | LOW | OUTPUT 4 | ENABLE | DISABLE |
| INPUT 5 | HIGH | LOW | OUTPUT 5 | ENABLE | DISABLE |
| INPUT 6 | HIGH | LOW | OUTPUT 6 | ENABLE | DISABLE |
| INPUT 7 | HIGH | LOW | OUTPUT 7 | ENABLE | DISABLE |
| INPUT 8 | HIGH | LOW | OUTPUT 8 | ENABLE | DISABLE |
| INPUT 9 | HIGH | LOW | OUTPUT 9 | ENABLE | DISABLE |
| INPUT 10 | HIGH | LOW | OUTPUT 10 | ENABLE | DISABLE |

| | | | | | |
|----------------------|--------|----------------------------|----|---|-----------|
| A | 103297 | NPRO RISK PRODUCTION BUILD | | | |
| REV | ECO | DESCRIPTION OF CHANGE | BY | CKD | APPR DATE |
| APPROVALS | | DATE | | <h1 style="text-align: center;">Digi</h1> <p style="text-align: center;">TITLE: GPIO [21-30] and LED INDICATORS</p> <p style="text-align: center;">SIZE PART NO. REV D 30006541-01 A</p> | |
| DESIGNED | | 05/12/2005 | | | |
| DRAWN | | 05/12/2005 | | | |
| CHECKED | | 05/12/2005 | | | |
| ENGINEER | | 05/12/2005 | | | |
| 02:36:00 PM | | | | | |
| DO NOT SCALE DRAWING | | | | | |
| SCALE: NTS | | VERIBEST | | SHEET 14 | |

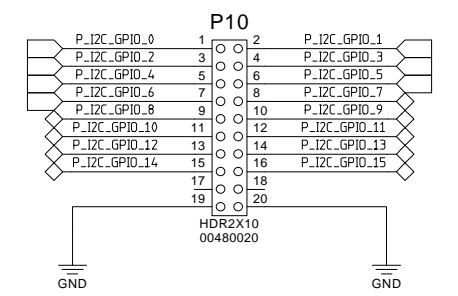
| INPUT SWITCH POSITION | | | OUTPUT SWITCH POSITION | | |
|-----------------------|--------------------------|--------------------------|------------------------|--------------------------|--------------------------|
| SWITCH # | <input type="checkbox"/> | <input type="checkbox"/> | SWITCH # | <input type="checkbox"/> | <input type="checkbox"/> |
| INPUT 1 | HIGH | LOW | OUTPUT 1 | ENABLE | DISABLE |
| INPUT 2 | HIGH | LOW | OUTPUT 2 | ENABLE | DISABLE |
| INPUT 3 | HIGH | LOW | OUTPUT 3 | ENABLE | DISABLE |



| | | | | | | |
|----------------------|--------|----------------------------|---|-----|------|------|
| A | 103297 | NPRO RISK PRODUCTION BUILD | | | | |
| REV | ECO | DESCRIPTION OF CHANGE | BY | CKD | APPR | DATE |
| APPROVALS | | DATE | <h1 style="text-align: center;">Digi</h1> <p style="text-align: center;">TITLE: Processor IOs and I2C GPIOs</p> | | | |
| DESIGNED | | 05/12/2005 | | | | |
| DRAWN | | 05/12/2005 | | | | |
| CHECKED | | 05/12/2005 | | | | |
| ENGINEER | | 05/12/2005 | | | | |
| 01:50:35 PM | | SIZE | PART NO. | REV | | |
| DO NOT SCALE DRAWING | | D | 30006541-01 | A | | |
| SCALE: NTS | | VERIBEST | SHEET | 15 | | |

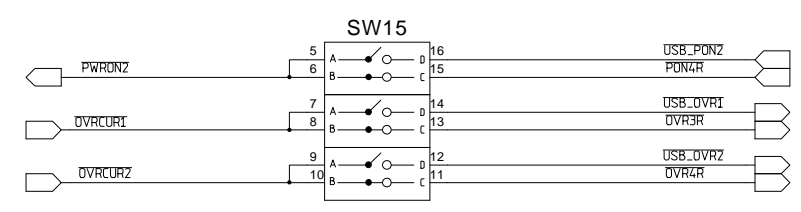
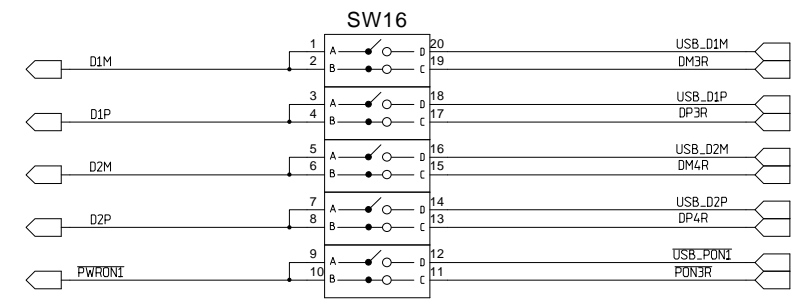
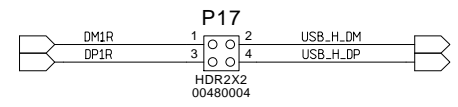


I2C GPIO Header

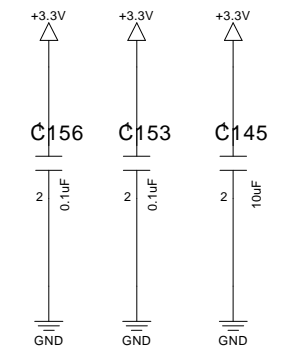
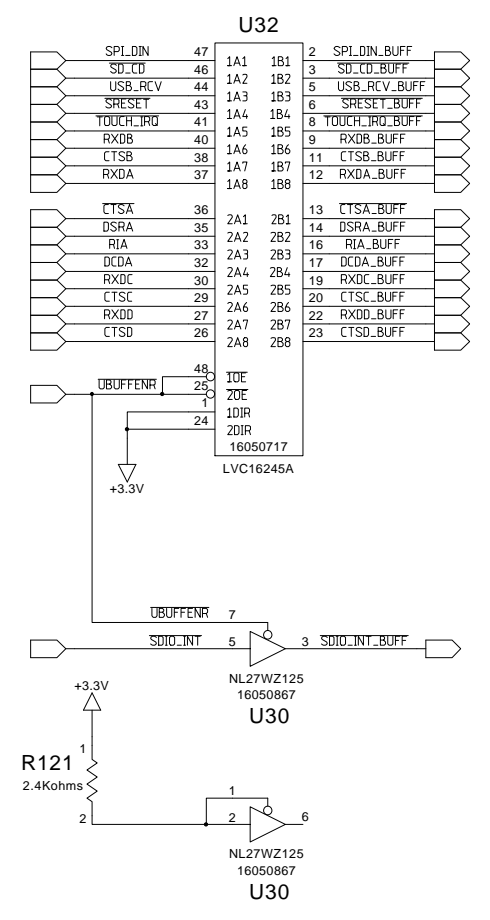


| | | | | | | |
|----------------------|--------|----------------------------|--|----------|-------|-----------|
| REV | ECO | DESCRIPTION OF CHANGE | BY | CKD | APPR | DATE |
| A | 103297 | NPRO RISK PRODUCTION BUILD | | | | |
| APPROVALS | | DATE | <div style="text-align: center;"> <h1>Digi</h1> <h2>I2C GPIO</h2> </div> | | | |
| DESIGNED | | 05/12/2005 | | | | |
| DRAWN | | 05/12/2005 | | | | |
| CHECKED | | 05/12/2005 | | | | |
| ENGINEER | | 05/12/2005 | | | | |
| 01:50:35 PM | | SIZE | PART NO. | REV | | |
| | | D | 30006541-01 | A | | |
| DO NOT SCALE DRAWING | | | SCALE: NTS | VERIBEST | SHEET | 16 |

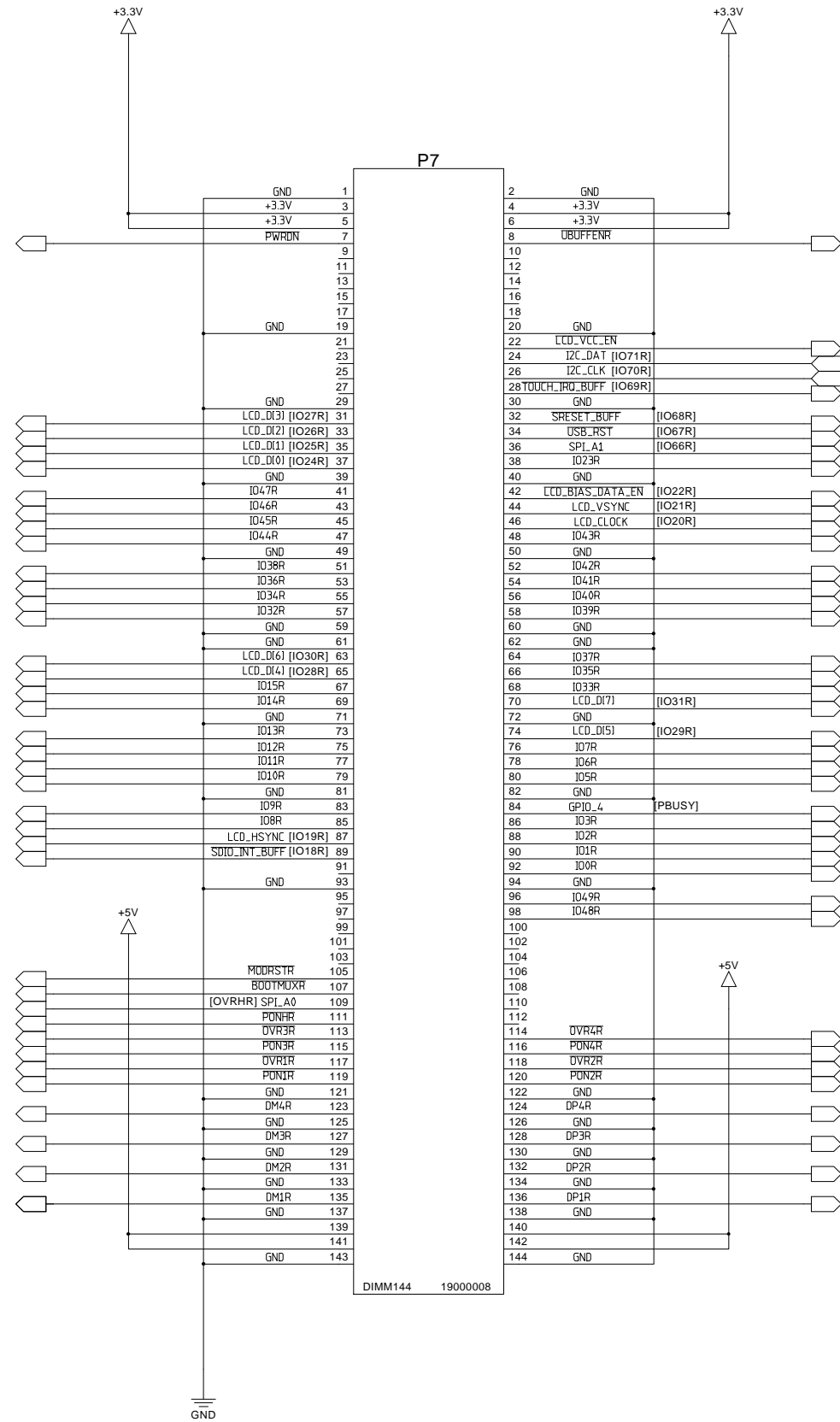
USB M/CB Selection Switches



BUFFER FOR INPUT SIGNALS TO MODULE



| | | | | | | | |
|----------------------|------------|---|-------------|-----|------|------|--|
| A | 103297 | NPRO RISK PRODUCTION BUILD | | | | | |
| REV | ECO | DESCRIPTION OF CHANGE | BY | CKD | APPR | DATE | |
| APPROVALS | DATE | <h1 style="text-align: center;">Digi</h1> <p style="text-align: center;">TITLE: Buffer and USB Switches</p> | | | | | |
| DESIGNED | 05/12/2005 | | | | | | |
| DRAWN | 05/12/2005 | | | | | | |
| CHECKED | 05/12/2005 | | | | | | |
| ENGINEER | 05/12/2005 | | | | | | |
| 01:50:35 PM | | SIZE | PART NO. | REV | | | |
| DO NOT SCALE DRAWING | | D | 30006541-01 | A | | | |
| SCALE: NTS | | VERIBEST | SHEET | 17 | | | |



| | | | | | | |
|----------------------|------------|----------------------------|---|----------|-------|-----------|
| A | 103297 | NPRO RISK PRODUCTION BUILD | | | | |
| REV | ECO | DESCRIPTION OF CHANGE | BY | CKD | APPR | DATE |
| APPROVALS | | DATE | <h1 style="text-align: center;">Digi</h1> <p style="text-align: center;">TITLE: Logic Analyser Header</p> | | | |
| DESIGNED | 05/12/2005 | | | | | |
| DRAWN | 05/12/2005 | | | | | |
| CHECKED | 05/12/2005 | | | | | |
| ENGINEER | 05/12/2005 | | | | | |
| 01:50:35 PM | | SIZE | PART NO. | REV | | |
| | | D | 30006541-01 | A | | |
| DO NOT SCALE DRAWING | | | SCALE: NTS | VERIBEST | SHEET | 18 |

