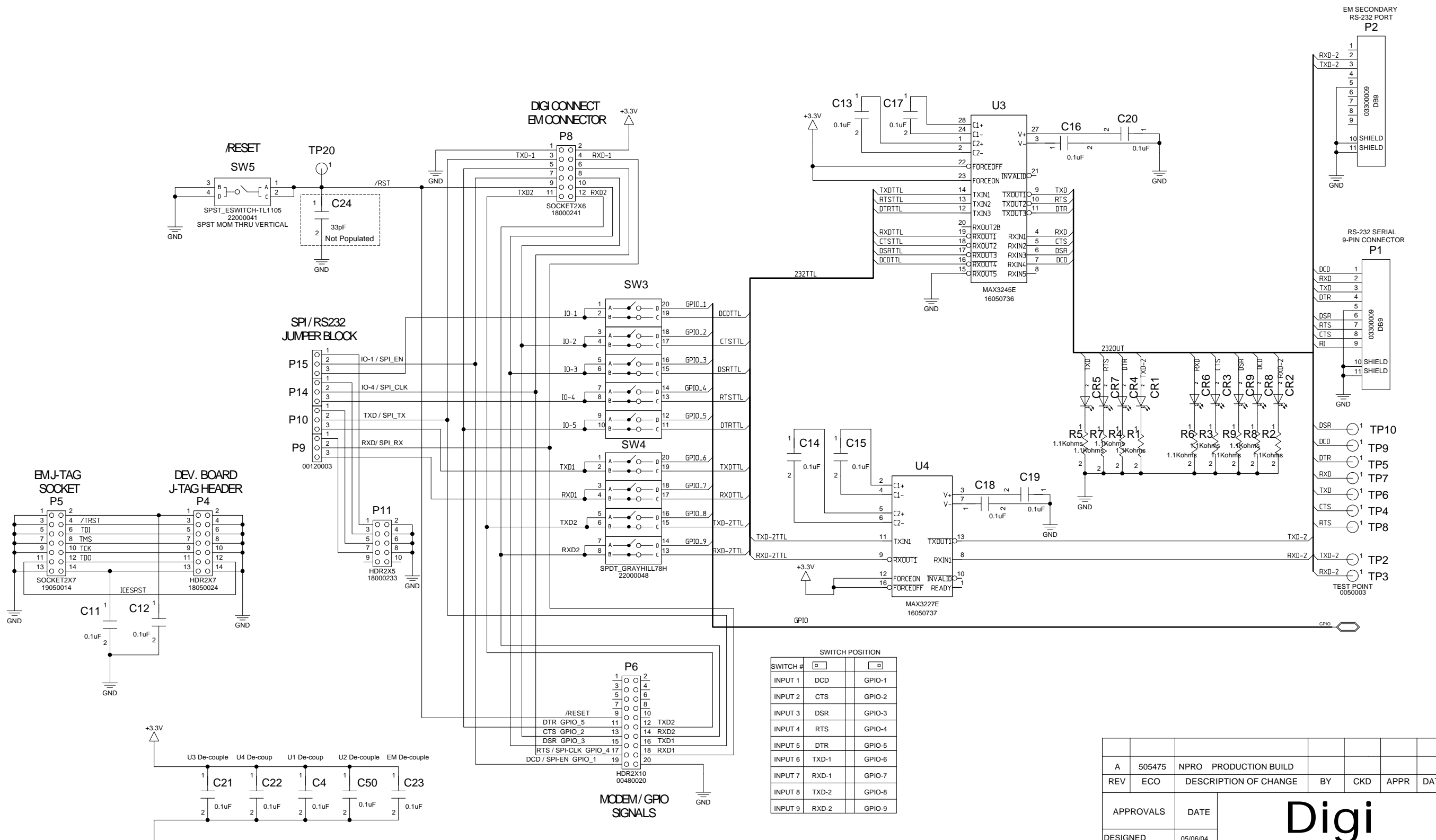


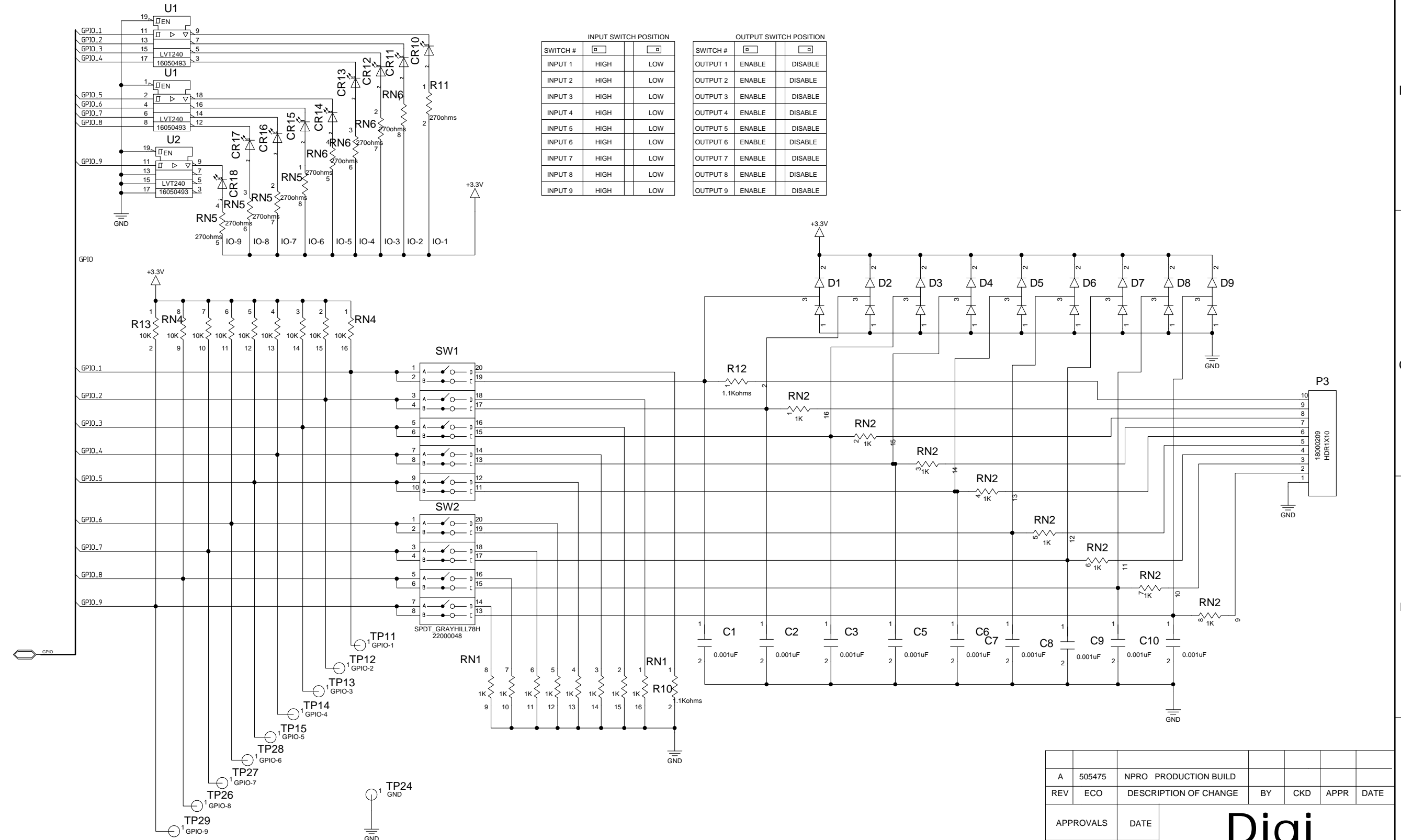
30006081-02 REV A



SWITCH POSITION

SWITCH #	<input type="checkbox"/>	<input type="checkbox"/>
INPUT 1	DCD	GPIO-1
INPUT 2	CTS	GPIO-2
INPUT 3	DSR	GPIO-3
INPUT 4	RTS	GPIO-4
INPUT 5	DTR	GPIO-5
INPUT 6	TXD-1	GPIO-6
INPUT 7	RXD-1	GPIO-7
INPUT 8	TXD-2	GPIO-8
INPUT 9	RXD-2	GPIO-9

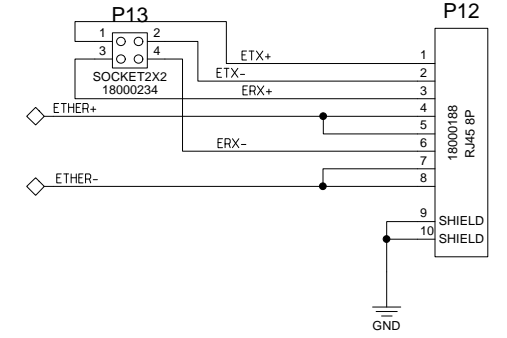
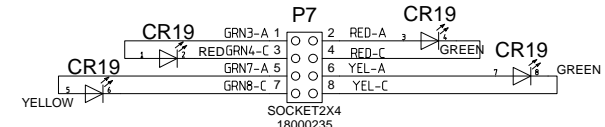
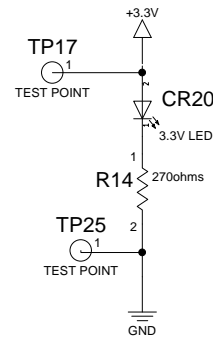
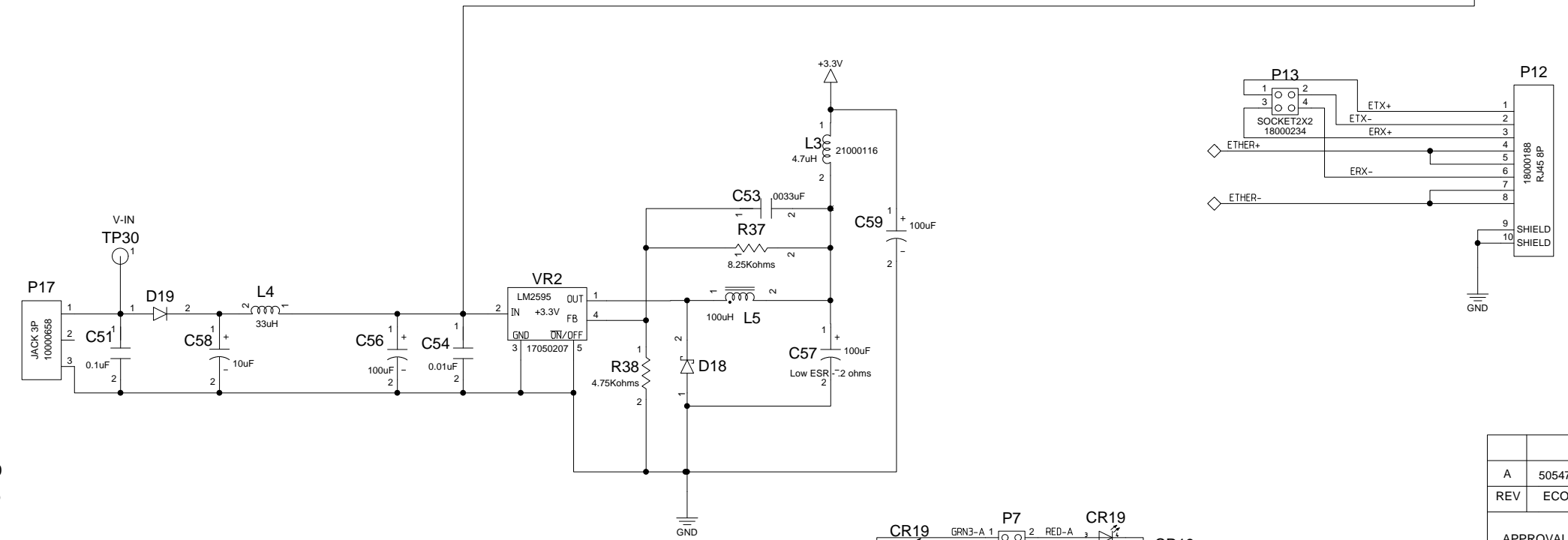
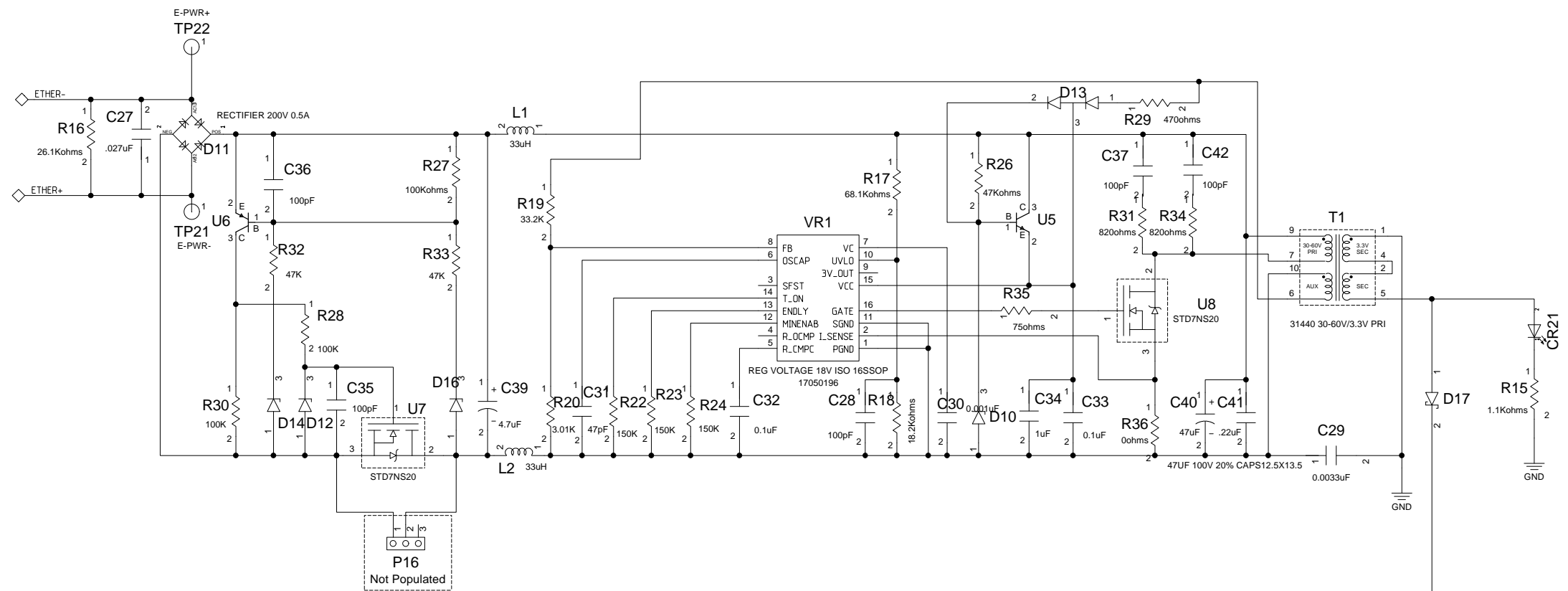
A	505475	NPRO	PRODUCTION BUILD				
REV	ECO	DESCRIPTION OF CHANGE	BY	CKD	APPR	DATE	
APPROVALS	DATE	<h1>Digi</h1> <p>TITLE: <b>Digi Connect EM Dev Board</b></p> <p>SIZE PART NO. REV <b>D 30006081-02 A</b></p>					
DESIGNED	05/06/04						
DRAWN	05/06/04						
CHECKED	05/06/04						
ENGINEER	05/06/04						
03:25:40 PM		SCALE: NTS	VERIBEST	SHEET	01 of 03		



INPUT SWITCH POSITION		
SWITCH #	<input type="checkbox"/>	<input type="checkbox"/>
INPUT 1	HIGH	LOW
INPUT 2	HIGH	LOW
INPUT 3	HIGH	LOW
INPUT 4	HIGH	LOW
INPUT 5	HIGH	LOW
INPUT 6	HIGH	LOW
INPUT 7	HIGH	LOW
INPUT 8	HIGH	LOW
INPUT 9	HIGH	LOW

OUTPUT SWITCH POSITION		
SWITCH #	<input type="checkbox"/>	<input type="checkbox"/>
OUTPUT 1	ENABLE	DISABLE
OUTPUT 2	ENABLE	DISABLE
OUTPUT 3	ENABLE	DISABLE
OUTPUT 4	ENABLE	DISABLE
OUTPUT 5	ENABLE	DISABLE
OUTPUT 6	ENABLE	DISABLE
OUTPUT 7	ENABLE	DISABLE
OUTPUT 8	ENABLE	DISABLE
OUTPUT 9	ENABLE	DISABLE

A	505475	NPRO	PRODUCTION BUILD				
REV	ECO	DESCRIPTION OF CHANGE		BY	CKD	APPR	DATE
APPROVALS		DATE		<h1 style="text-align: center;">Digi</h1> <p style="text-align: center;">Digi Connect EM Dev Board</p>			
DESIGNED		05/06/04					
DRAWN		05/06/04					
CHECKED		05/06/04					
ENGINEER		05/06/04					
03:25:40 PM				SIZE	PART NO.		REV
D				30006081-02		A	
DO NOT SCALE DRAWING				SCALE: NTS	VERIBEST	SHEET 02 of 03	



A	505475	NPRO	PRODUCTION BUILD				
REV	ECO	DESCRIPTION OF CHANGE	BY	CKD	APPR	DATE	
APPROVALS	DATE	<h1 style="text-align: center;">Digi</h1> <p style="text-align: center;">Digi Connect EM Dev Board</p>					
DESIGNED	05/06/04						
DRAWN	05/06/04						
CHECKED	05/06/04						
ENGINEER	05/06/04						
03:25:40 PM		SIZE	PART NO.	REV			
		<b>D</b>	<b>30006081-02</b>	<b>A</b>			
DO NOT SCALE DRAWING		SCALE: NTS	VERIBEST	SHEET	03 of 03		