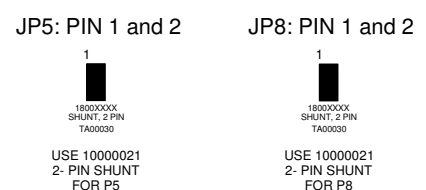
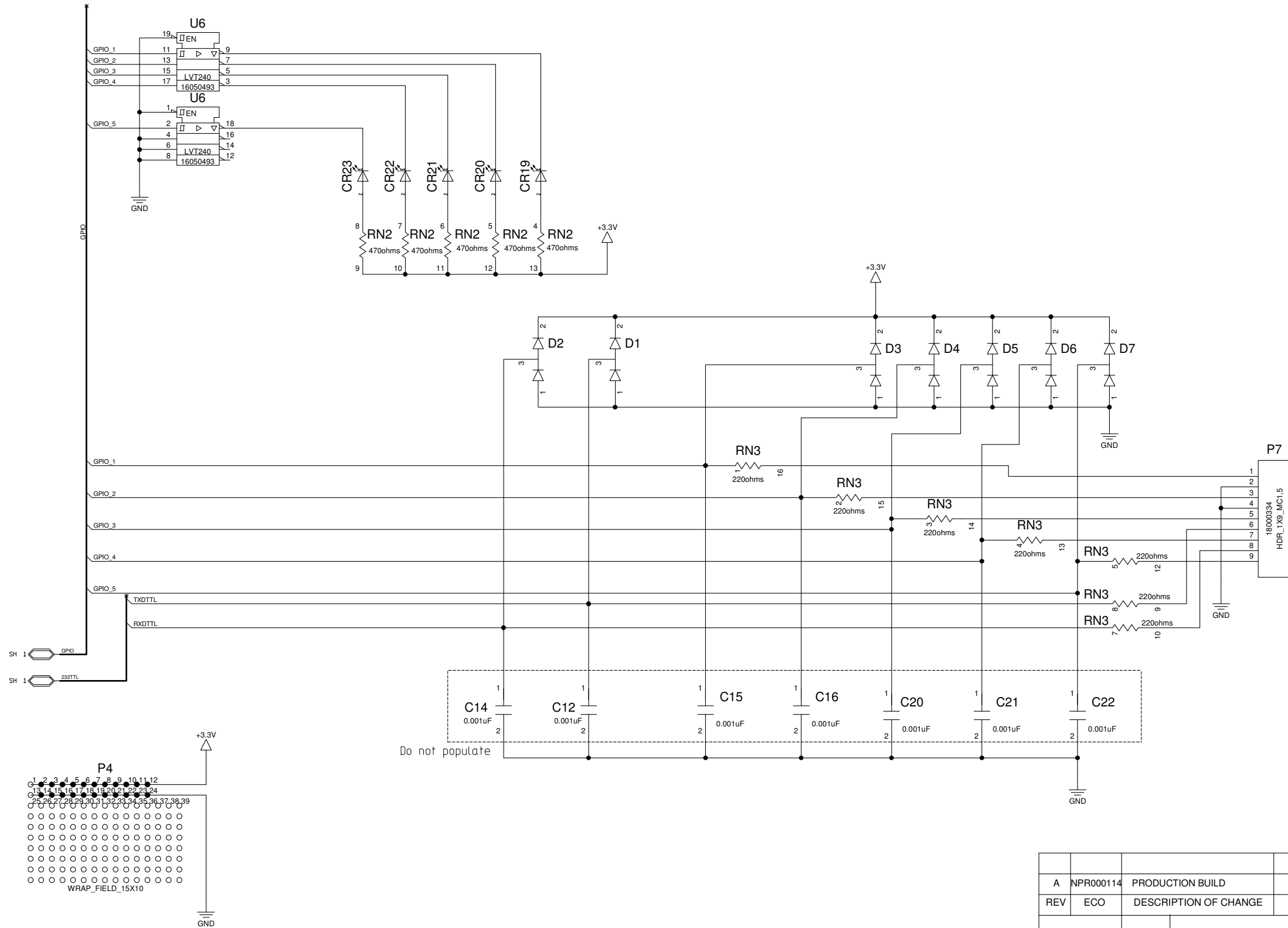


**SWITCH POSITION**

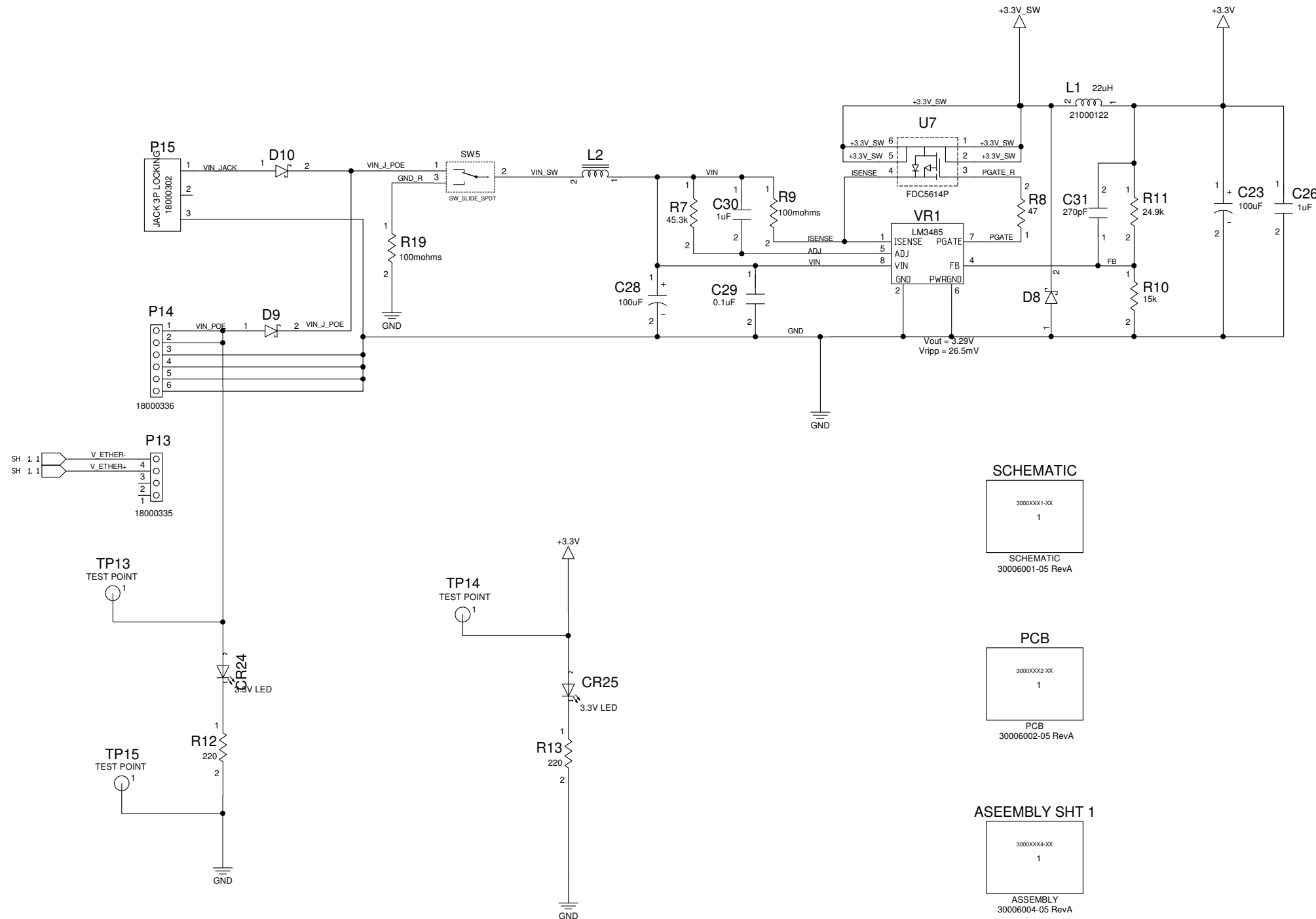
SWITCH #	<input type="checkbox"/>	<input type="checkbox"/>
INPUT 1	DCD	GPIO-1
INPUT 2	CTS	GPIO-2
INPUT 3	DSR	GPIO-3
INPUT 4	RTS	GPIO-4
INPUT 5	DTR	GPIO-5



A	NPR000114	PRODUCTION BUILD				
REV	ECO	DESCRIPTION OF CHANGE	BY	CKD	APPR	DATE
APPROVALS	DATE					
DESIGNED	4/20/2009					
DRAWN	4/20/2009					
CHECKED	4/20/2009					
ENGINEER	4/20/2009	SIZE	PART NO.	REV		
3:08:19 PM		<b>D</b>	<b>30006001-05</b>	<b>A</b>		
DO NOT SCALE DRAWING			SCALE: NTS	VERIBEST	SHEET 01 of 04	



A	NPR000114	PRODUCTION BUILD				
REV	ECO	DESCRIPTION OF CHANGE	BY	CKD	APPR	DATE
APPROVALS	DATE	 <b>Digi</b> TITLE: Digi Connect ME Dev Board SIZE PART NO. REV <b>D</b> 30006001-05 <b>A</b>				
DESIGNED	4/17/2009					
DRAWN	4/17/2009					
CHECKED	4/17/2009					
ENGINEER	4/17/2009					
12:11:11 PM		SCALE: NTS	VERIBEST	SHEET 02 of 04		
DO NOT SCALE DRAWING						



SCHMATIC  
3000001-XX  
1  
SCHMATIC  
30006001-05 RevA


PCB  
3000002-XX  
1  
PCB  
30006002-05 RevA

ASSEMBLY SHT 1  
3000004-XX  
1  
ASSEMBLY  
30006004-05 RevA

A	NPR000114	PRODUCTION BUILD				
REV	ECO	DESCRIPTION OF CHANGE	BY	CKD	APPR	DATE
APPROVALS		DATE				
DESIGNED		4/17/2009				
DRAWN		4/17/2009				
CHECKED		4/17/2009				
ENGINEER		4/17/2009				
12:11:11 PM		SIZE	PART NO.	REV		
DO NOT SCALE DRAWING		D	30006001-05	A		
SCALE: NTS			VERIBEST	SHEET 03 of 04		

REASON FOR CHANGES:

1. MAIN REASON IS TO CORRECT THE LAYOUT ISSUE FOR THE SEPARATION BETWEEN P13 AND P14 - POE CONNECTORS.
2. CHANGE SOME OF THE PART NUMBERS OF VARIOUS COMPONENTS TO MATCH THE BOM.

A		NPR000114		PRODUCTION BUILD			
REV	ECO	DESCRIPTION OF CHANGE		BY	CKD	APPR	DATE
APPROVALS		DATE		 <b>Digi</b> TITLE: Digi Connect ME Dev Board			
DESIGNED		4/17/2009					
DRAWN		4/17/2009					
CHECKED		4/17/2009					
ENGINEER		4/17/2009					
12:11:11 PM		SIZE	PART NO.	REV			
DO NOT SCALE DRAWING		D	30006001-05	A			
		SCALE: NTS	VERIBEST	SHEET	03 of 04		