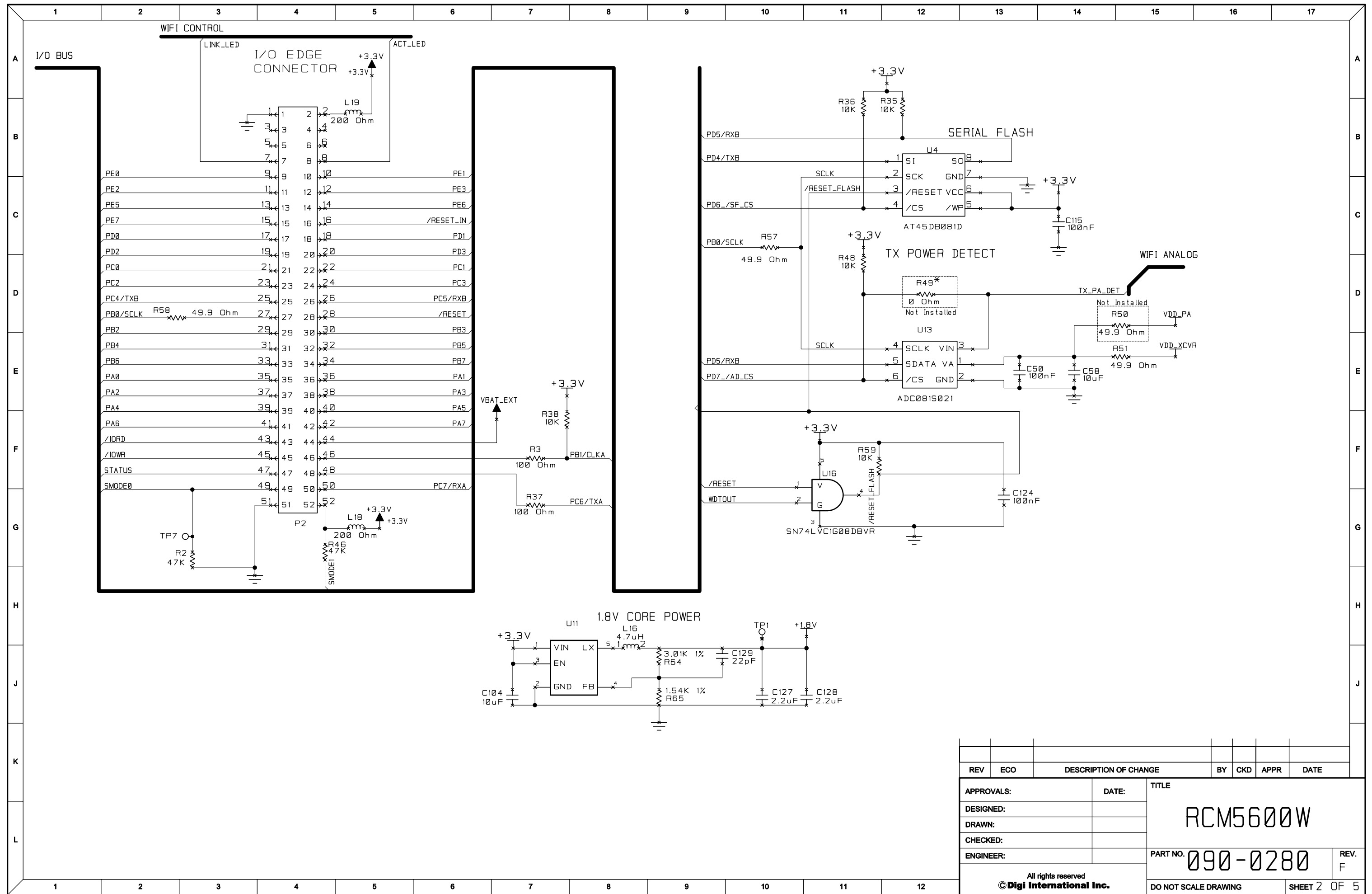


Notes

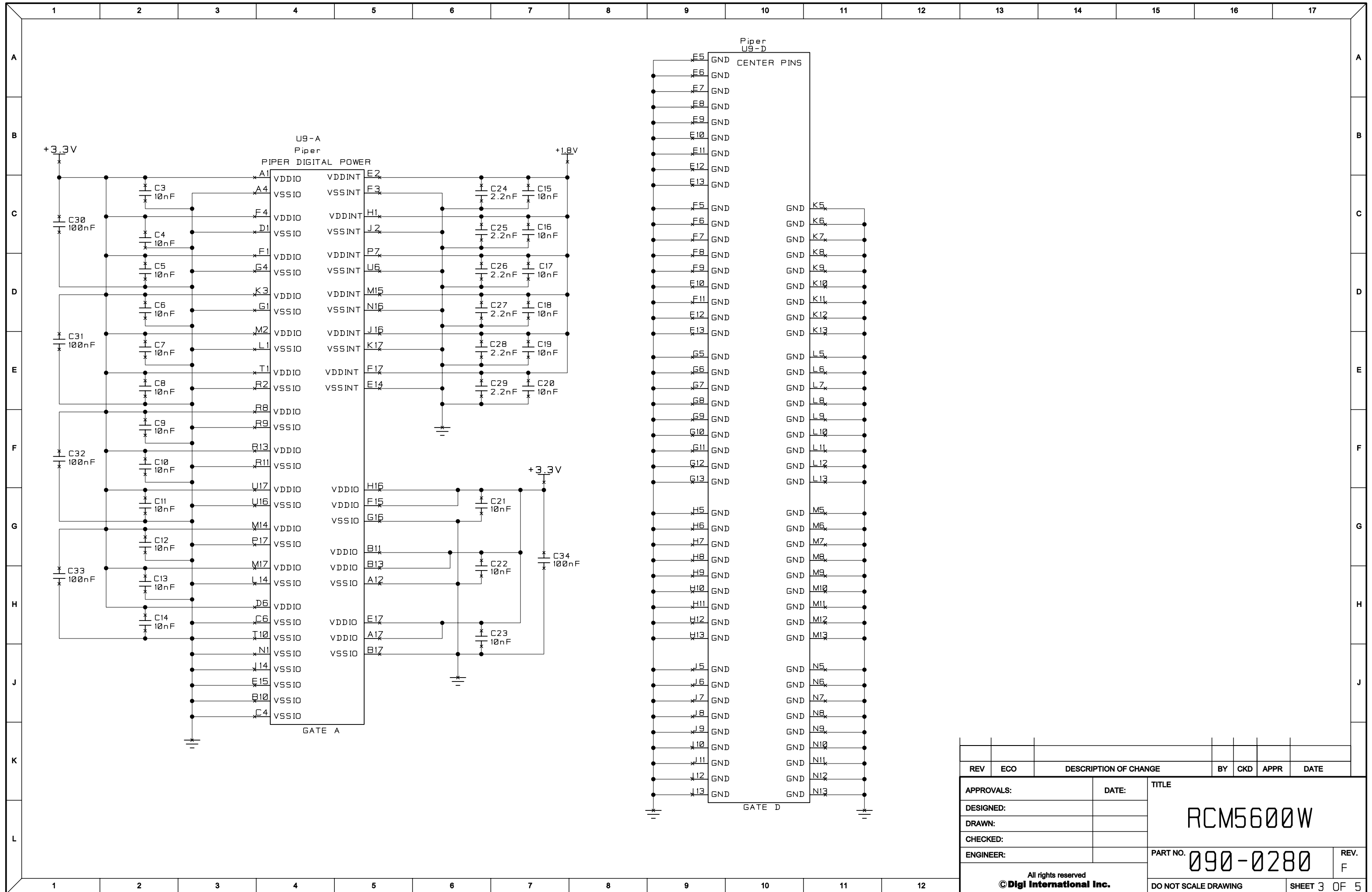
Differential Pairs for Routing:
 {TX1+,TX1-}, {TXQ+,TXQ-}, {RX1+,RX1-},
 {RXQ+,RXQ-}, {RFOUTN, RFOUTP}

NOTES UNLESS OTHERWISE SPECIFIED:
 1. ALL RESISTOR VALUES ARE IN OHMS, 1/16W, 1% UNLESS LABELED 5%.
 2. THE ORIGINATION SOURCE OF A VOLTAGE IS REPRESENTED BY (+3.3v), AND ALL REFERENCES TO THAT VOLTAGE ARE REPRESENTED BY (+3.3v).
 3. COMPONENT VALUES SHOWN WITH AN ASTERISK (*) FOLLOWING THE VALUE OR DASHED BOX, MAY HAVE DIFFERENT VALUE, OR MAY NOT BE STUFFED

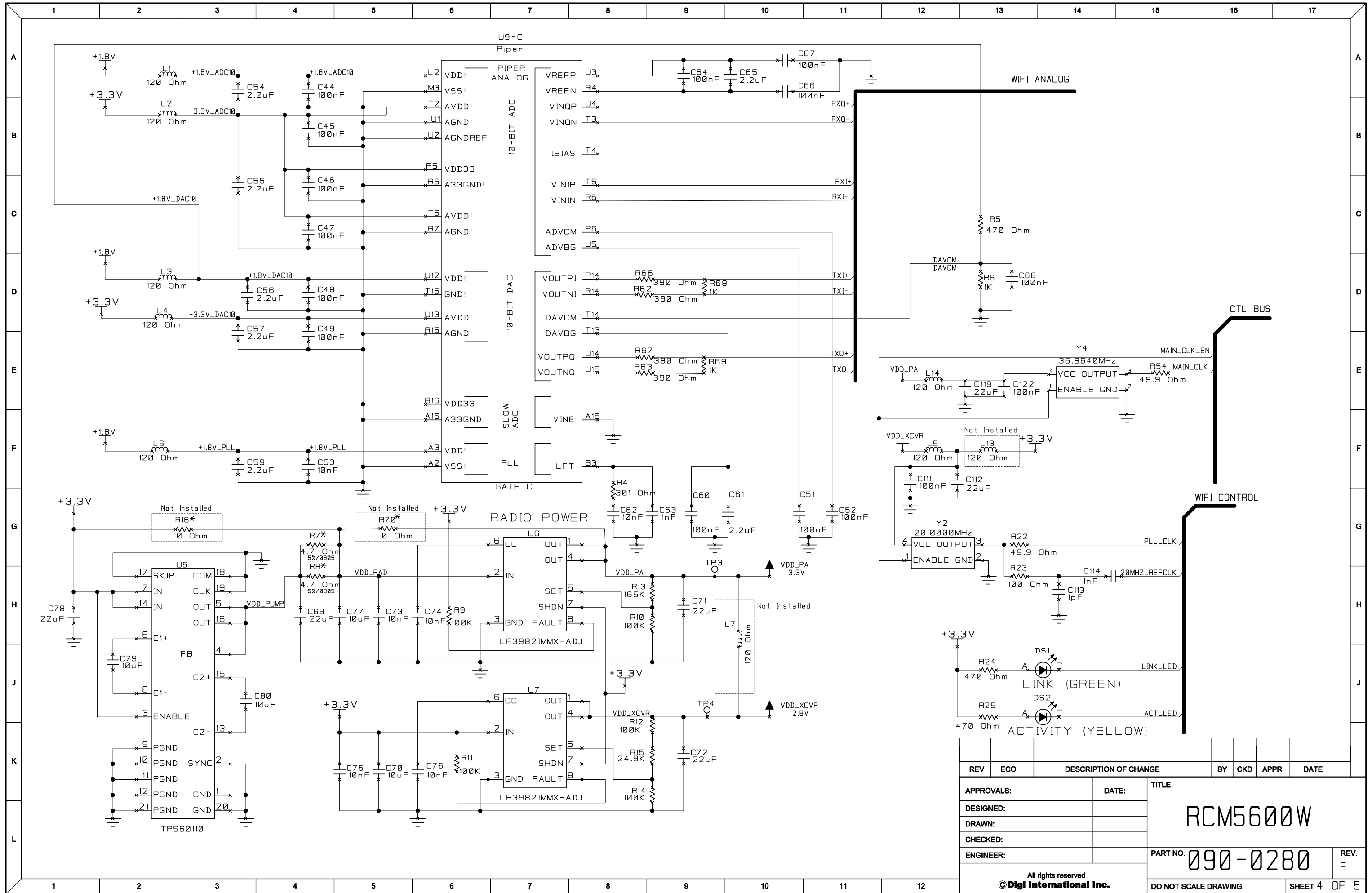
F	000833	SWAP C84/C99; Chg C81,116 to 4.7uF.	LY	JN	XT	01-09-09
REV	ECO	DESCRIPTION OF CHANGE	BY	CKD	APPR	DATE
APPROVALS:		DATE:	TITLE			
DESIGNED:		RCM5600W				
DRAWN:						
CHECKED:						
ENGINEER: Elias Faracías						
PART NO.		9/29/08		REV. F		
090-0280		All rights reserved Digi International Inc.		DO NOT SCALE DRAWING		
SHEET		1 OF 5				



REV	ECO	DESCRIPTION OF CHANGE	BY	CKD	APPR	DATE																					
<table border="1"> <tr> <td>APPROVALS:</td> <td>DATE:</td> <td>TITLE</td> </tr> <tr> <td>DESIGNED:</td> <td></td> <td rowspan="4" style="text-align: center; font-size: 24pt;">RCM5600W</td> </tr> <tr> <td>DRAWN:</td> <td></td> </tr> <tr> <td>CHECKED:</td> <td></td> </tr> <tr> <td>ENGINEER:</td> <td></td> </tr> <tr> <td colspan="2"></td> <td>PART NO. 090-0280</td> <td>REV. F</td> </tr> <tr> <td colspan="3" style="text-align: center;"> <small>All rights reserved © Digi International Inc.</small> </td> <td>DO NOT SCALE DRAWING</td> <td>SHEET 2 OF 5</td> </tr> </table>							APPROVALS:	DATE:	TITLE	DESIGNED:		RCM5600W	DRAWN:		CHECKED:		ENGINEER:				PART NO. 090-0280	REV. F	<small>All rights reserved © Digi International Inc.</small>			DO NOT SCALE DRAWING	SHEET 2 OF 5
APPROVALS:	DATE:	TITLE																									
DESIGNED:		RCM5600W																									
DRAWN:																											
CHECKED:																											
ENGINEER:																											
		PART NO. 090-0280	REV. F																								
<small>All rights reserved © Digi International Inc.</small>			DO NOT SCALE DRAWING	SHEET 2 OF 5																							



REV	ECO	DESCRIPTION OF CHANGE	BY	CKD	APPR	DATE	
APPROVALS:		DATE:	TITLE				
DESIGNED:		RCM5600W					
DRAWN:							
CHECKED:							
ENGINEER:		PART NO.	090-0280		REV.	F	
© Digi International Inc.						DO NOT SCALE DRAWING	SHEET 3 OF 5



REV	ECO	DESCRIPTION OF CHANGE	BY	CKD	APPR	DATE

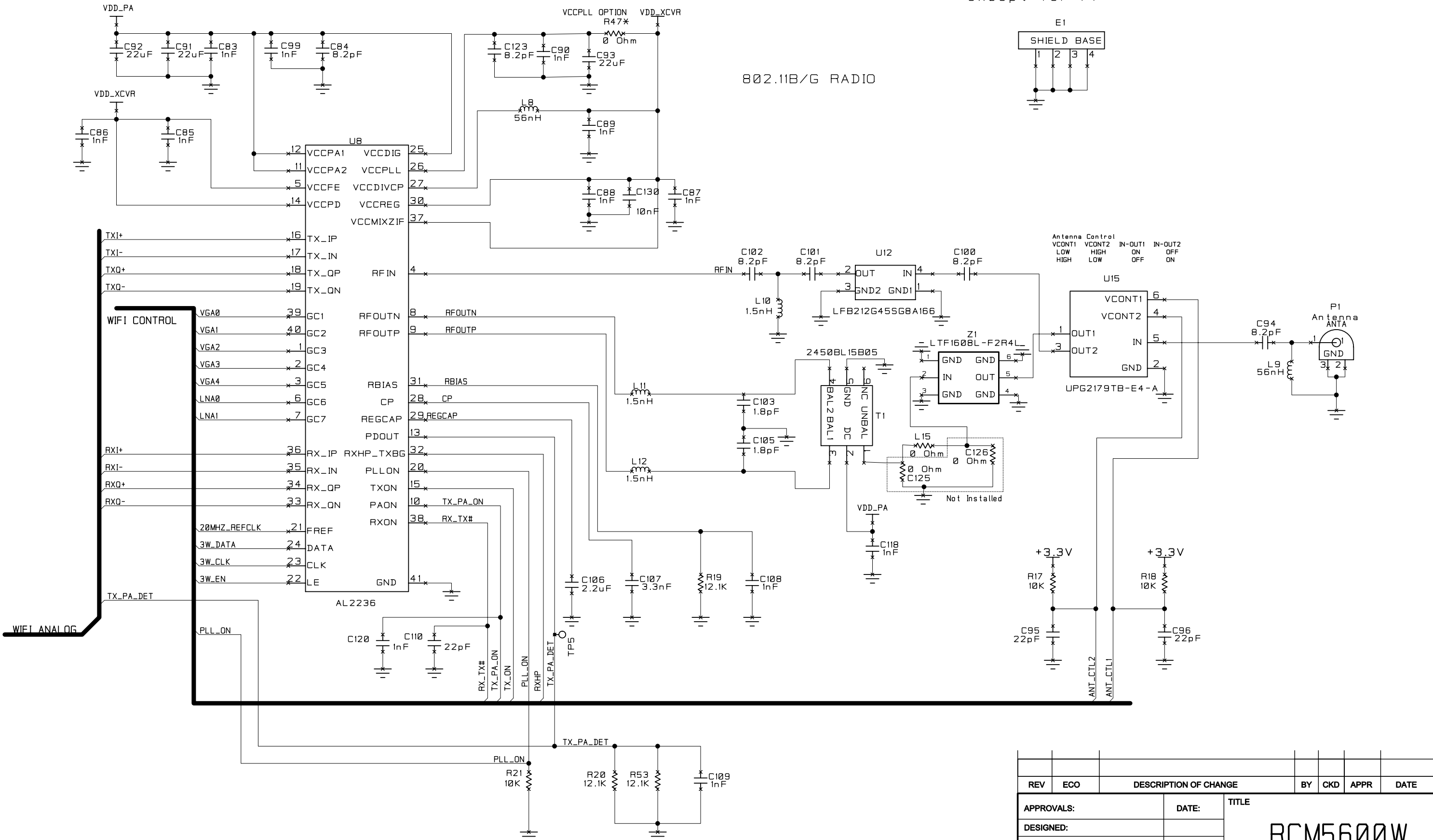
APPROVALS:	DATE:	TITLE
DESIGNED:		RCM5600W
DRAWN:		
CHECKED:		
ENGINEER:		
© Digi International Inc.		

PART NO.	REV.
090-0280	F

DO NOT SCALE DRAWING	SHEET 4 OF 5
----------------------	--------------

Note: All of sheet 5 is underneath shield except for P1

802.11B/G RADIO



REV	ECO	DESCRIPTION OF CHANGE	BY	CKD	APPR	DATE
APPROVALS:		DATE:	TITLE			
DESIGNED:				RCM5600W		
DRAWN:				PART NO. 090-0280		
CHECKED:				REV. F		
ENGINEER:				DO NOT SCALE DRAWING		
All rights reserved © Digi International Inc.						
						SHEET 5 OF 5