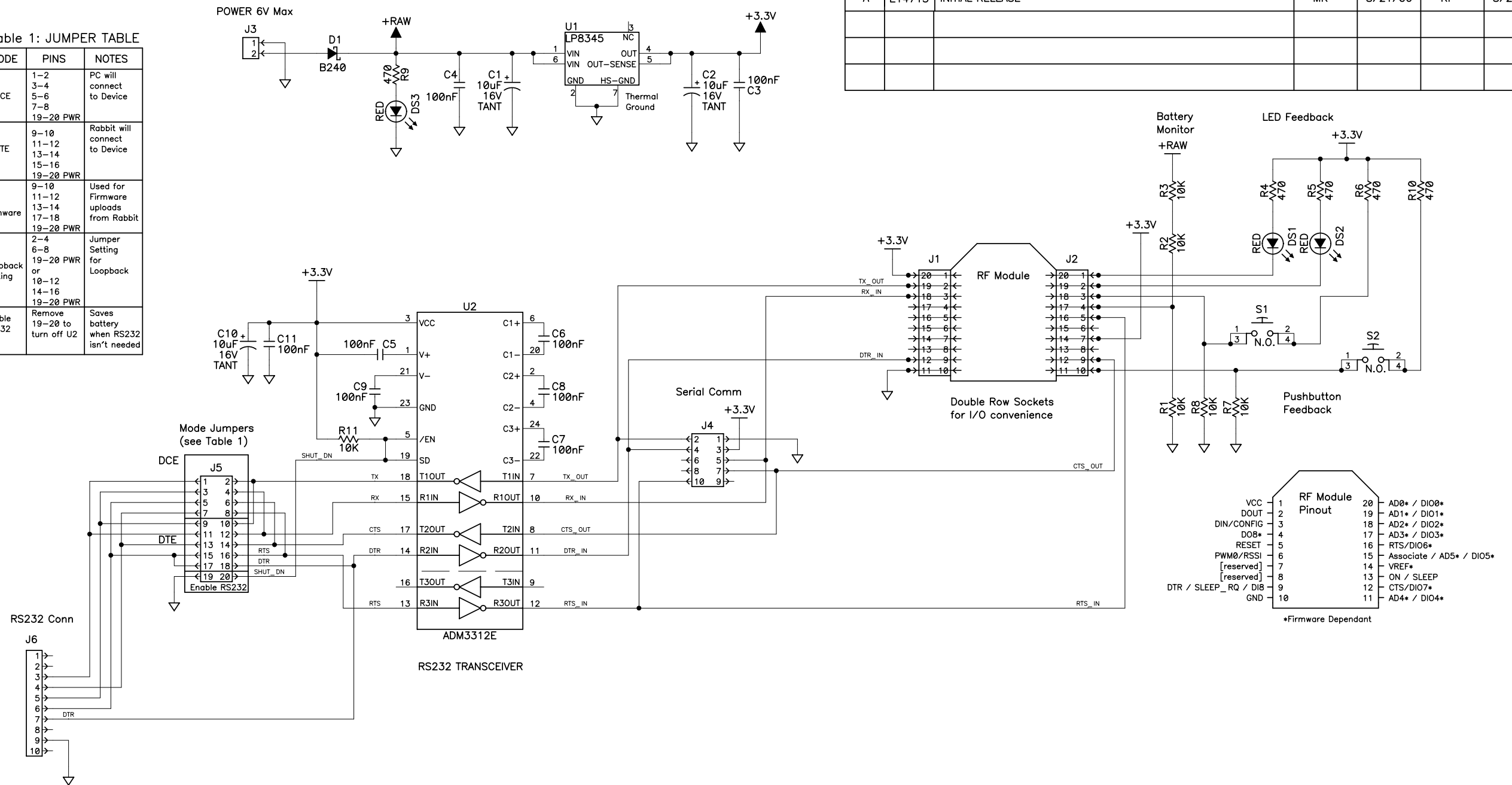


Table 1: JUMPER TABLE

MODE	PINS	NOTES
DCE	1-2 3-4 5-6 7-8 19-20 PWR	PC will connect to Device
DTE	9-10 11-12 13-14 15-16 19-20 PWR	Rabbit will connect to Device
DTE Firmware	9-10 11-12 13-14 17-18 19-20 PWR	Used for Firmware uploads from Rabbit
Loopback Testing	2-4 6-8 19-20 PWR or 10-12 14-16 19-20 PWR	Jumper Setting for Loopback
Enable RS232	Remove 19-20 to turn off U2	Saves battery when RS232 isn't needed



REVISION HISTORY			REVISION APPROVAL			
REV	ECO	DESCRIPTION	PROJECT ENGINEER	APPROVAL DATE	DOCUMENT CONTROL	APPROVAL DATE
A	E14715	INITIAL RELEASE	MK	8/21/06	KF	8/21/06

- NOTES: UNLESS OTHERWISE SPECIFIED;
- ALL RESISTOR VALUES ARE IN OHMS, 1/16W, 1%
 - THE ORIGIN SOURCE OF A VOLTAGE IS REPRESENTED BY (VCC), AND ALL REFERENCES TO THAT VOLTAGE ARE REPRESENTED BY (VCC).
 - COMPONENT VALUES SHOWN WITH AN ASTERISK (*) FOLLOWING THE VALUE, MAY HAVE DIFFERENT VALUES, OR MAY NOT BE STUFFED. SEE STUFFING CHART FOR CLARIFICATION.

COPYRIGHT 2006, RABBIT SEMICONDUCTOR, INC.

APPEND THE FOLLOWING DOCUMENTS WHEN CHANGING THIS DOCUMENT:		DRAWING CONTENT:		TITLE SCHEMATIC DIAGRAM RF MODULE INTERFACE		RABBIT SEMICONDUCTOR www.rabbit.com	
		DRAWN BY: (INITIAL RELEASE) M KNOBLOCH 7/30/06					
		REVISED BY:		APPROVALS: INITIAL RELEASE		SIZE B	
		PROJECT ENGINEER: M KNOBLOCH 7/30/06					
		ENGINEERING MANAGER: J BAUMERT		DWG NO. 090-0243		SCALE NONE	
		SIGNATURES		RELEASE DATE			