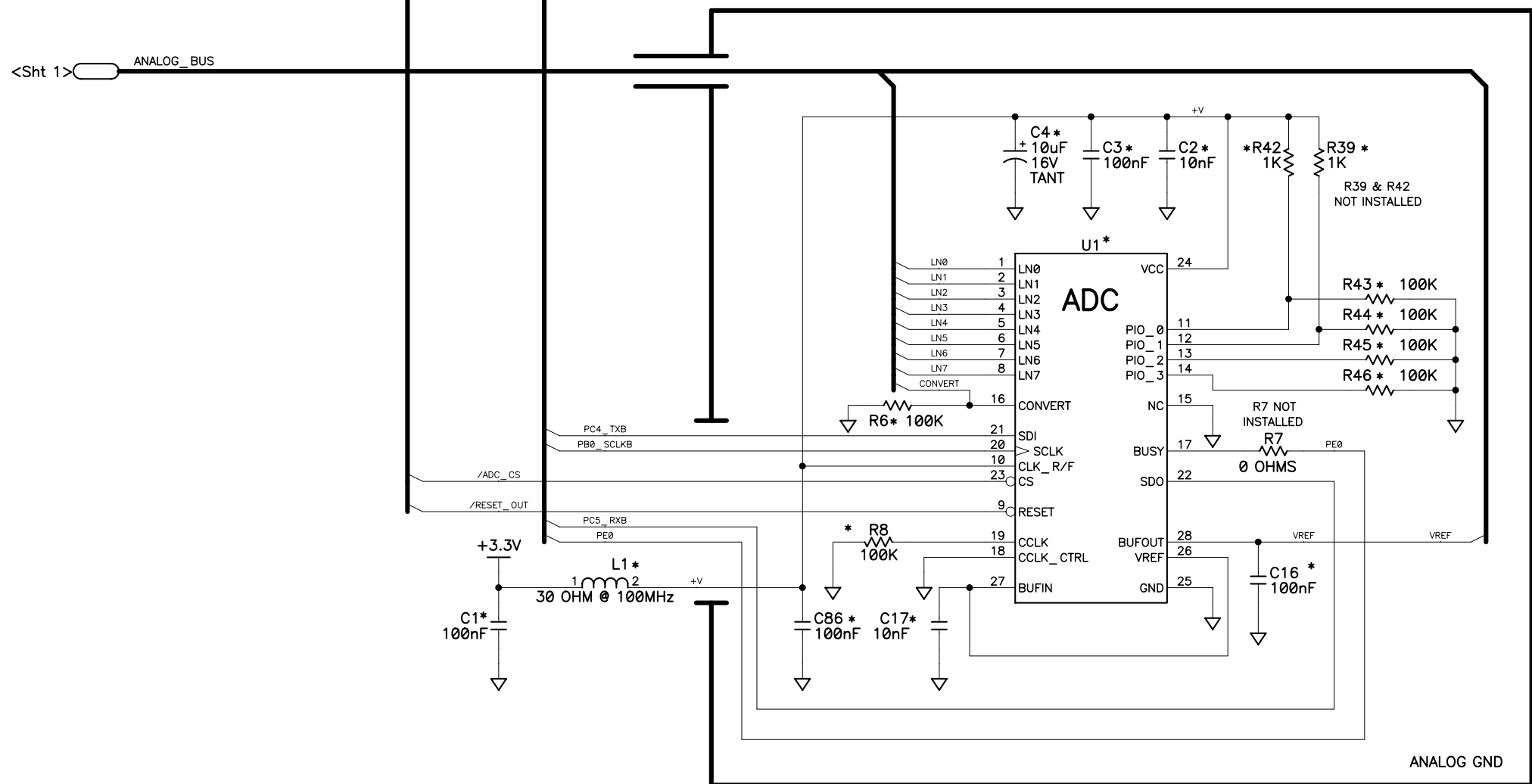
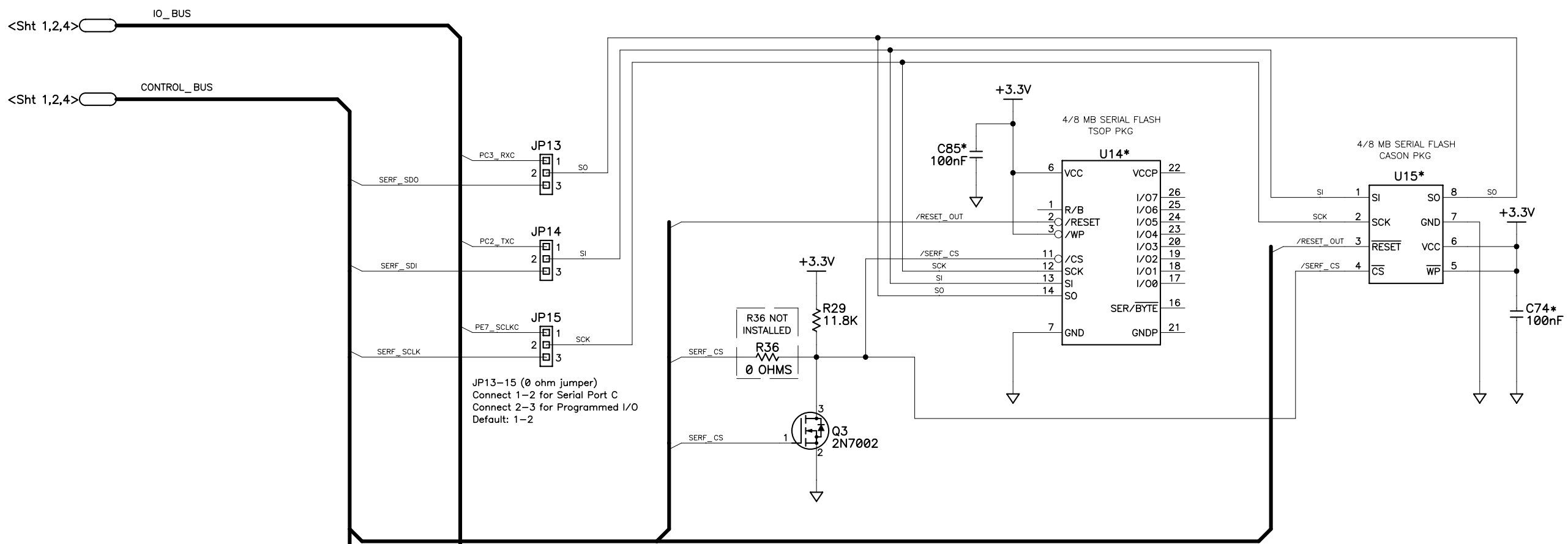
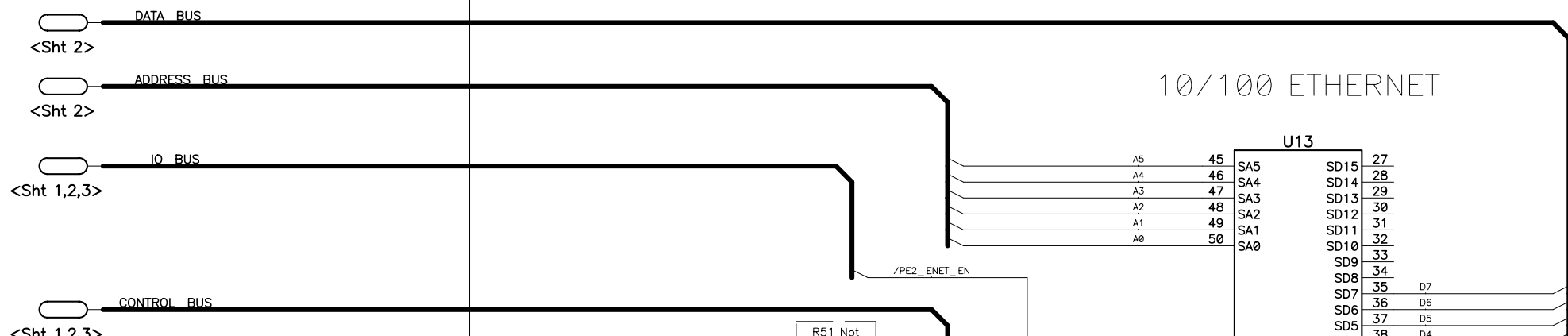


COPYRIGHT 2008, RABBIT SEMICONDUCTOR

SIZE B	DWG NO. 090-0241
SCALE NONE	REV LTR C
SHEET 2 OF 5	

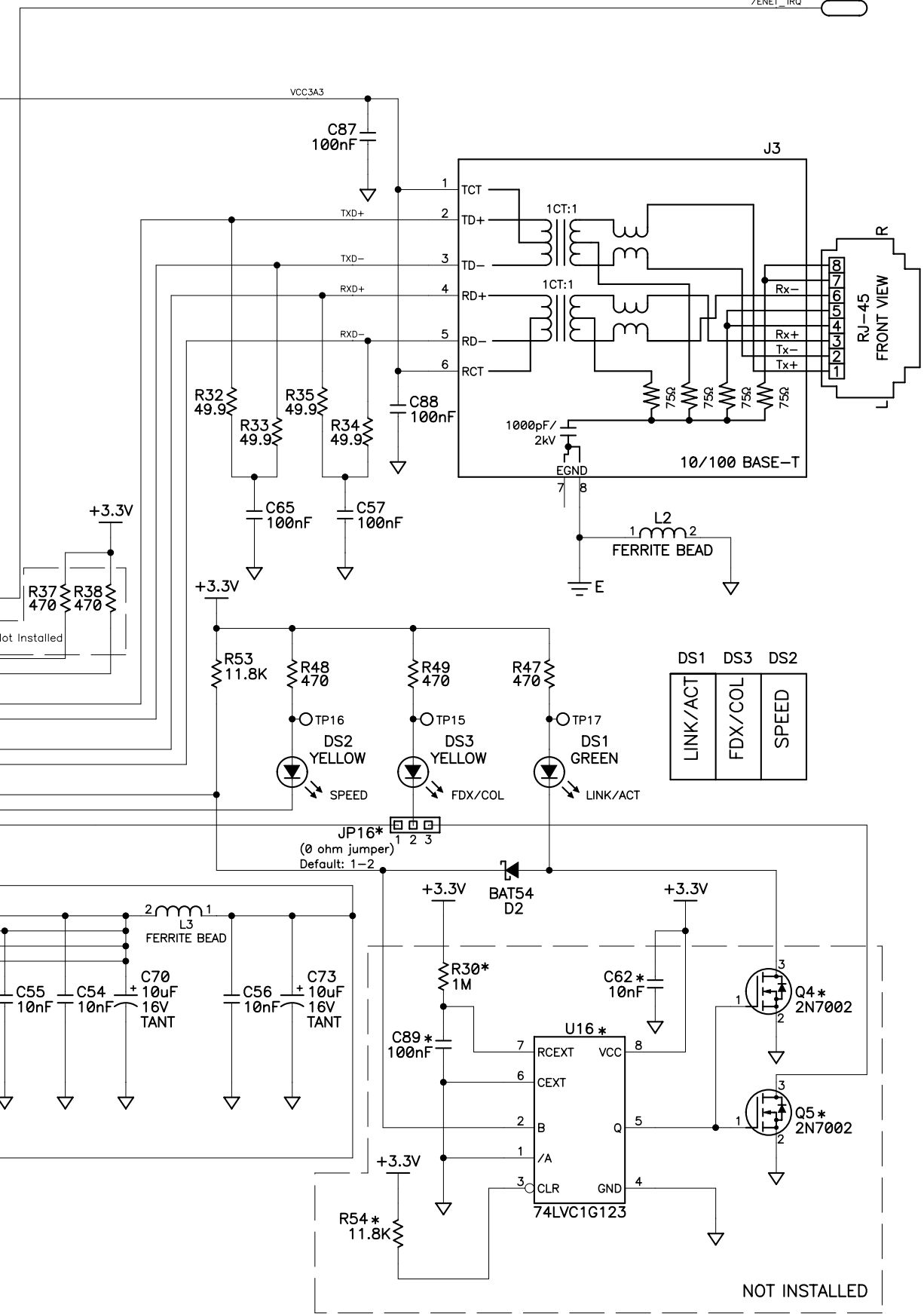
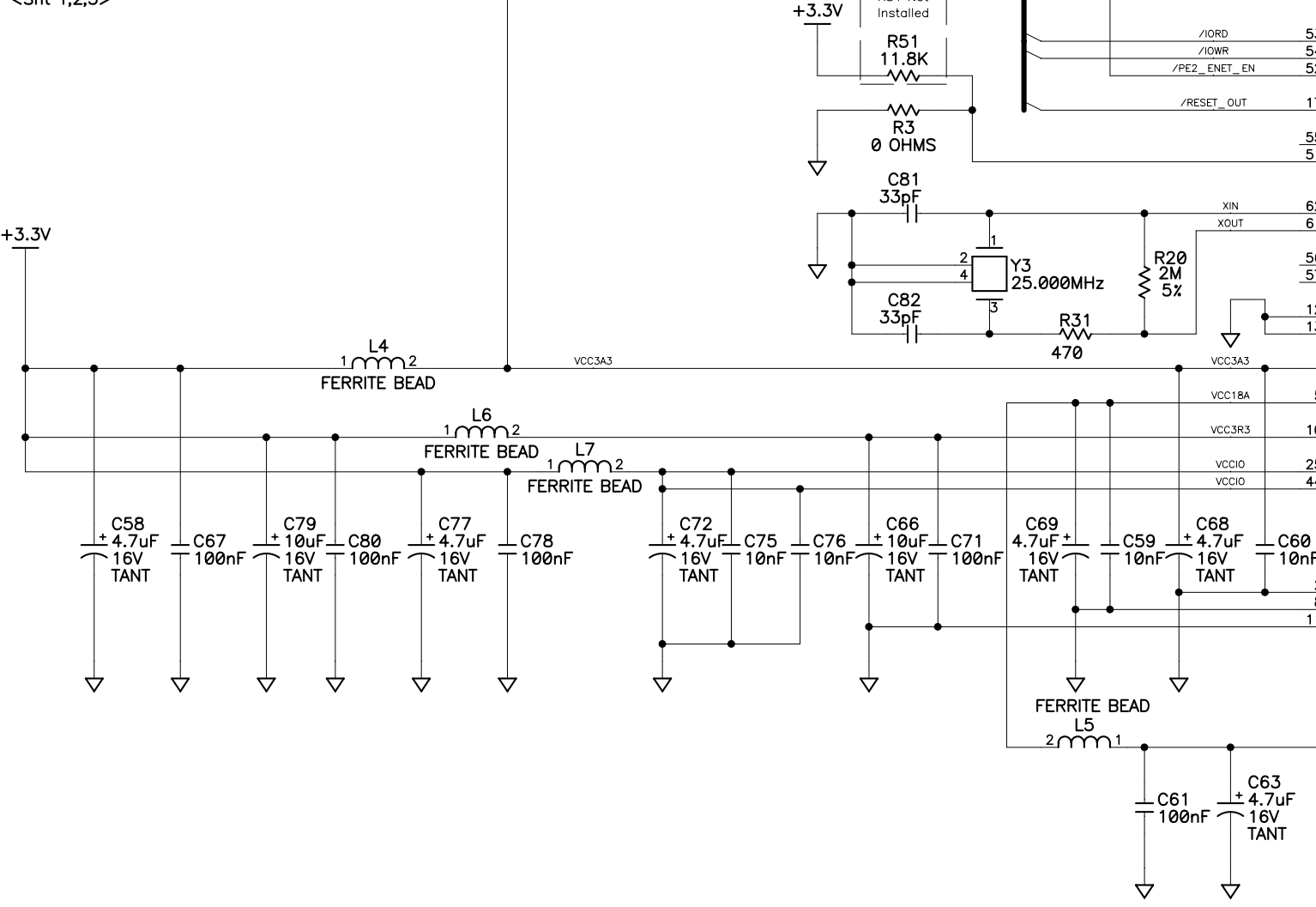
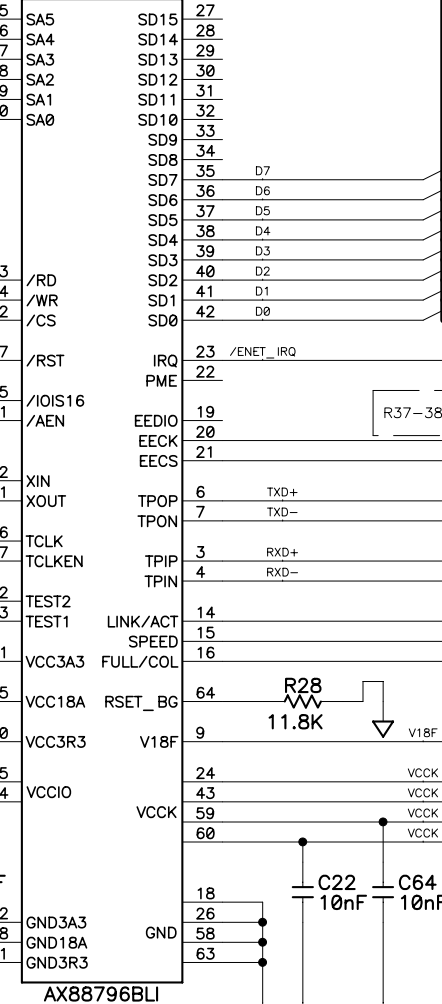


SIZE B	DWG NO. 090-0241
SCALE NONE	REV LTR C
SHEET 3	OF 5



10/100 ETHERNET

U13



RCM4200 STANDARD CONFIGURATION OPTIONS			
OPTION	RCM4210	RCM4200	
SRAM	512K	512KB	
JP8 (SRAM)	0 OHM (1-2)	0 OHM (1-2)	
FAST SRAM	NONE	512KB	
SERIAL FLASH	4MB	8MB	
FLASH	512KB	512KB	
ADC	NONE	12 Bit	
ALT SIGNALS	PORT_E[5..7]	PORT_E[5..7]	

OPTION: FAST SRAM			
PART	NONE	512KB	
U12	NOT INSTALLED	INSTALLED	
C52, C53 C83, C84	NOT INSTALLED	INSTALLED	

OPTION: FLASH		
PART	512KB	
U11	INSTALLED	
C50, C51	INSTALLED	

OPTION: SERIAL FLASH		
PART	8MB	4MB
U14	AT45DB642	AT45DB321
C85	INSTALLED	INSTALLED
U15	NOT INSTALLED	NOT INSTALLED
C74	NOT INSTALLED	NOT INSTALLED

OPTION: ADC			
PART	NONE	12 Bit	
U1	NOT INSTALLED	ADS7870	
C1, C2, C3, C4 C16, C17, C86	NOT INSTALLED	INSTALLED	
L1	NOT INSTALLED	INSTALLED	
R6, R8, R43-46	NOT INSTALLED	INSTALLED	
JP1, JP2, JP3, JP4, JP5, JP6, JP7, JP9	0 Ohm (2-3)	0 Ohm (1-2)	

OPTION: ALT SIGNALS (SELECTS J2 PIN 37-39 FUNCTION, PORT_E[5..7] or SMODE0, SMODE1, STATUS)		
PARTS	PORT_E[5..7]	PROG SIGNALS
JP10, JP11, JP12	0 Ohm (1-2)	0 Ohm (2-3)