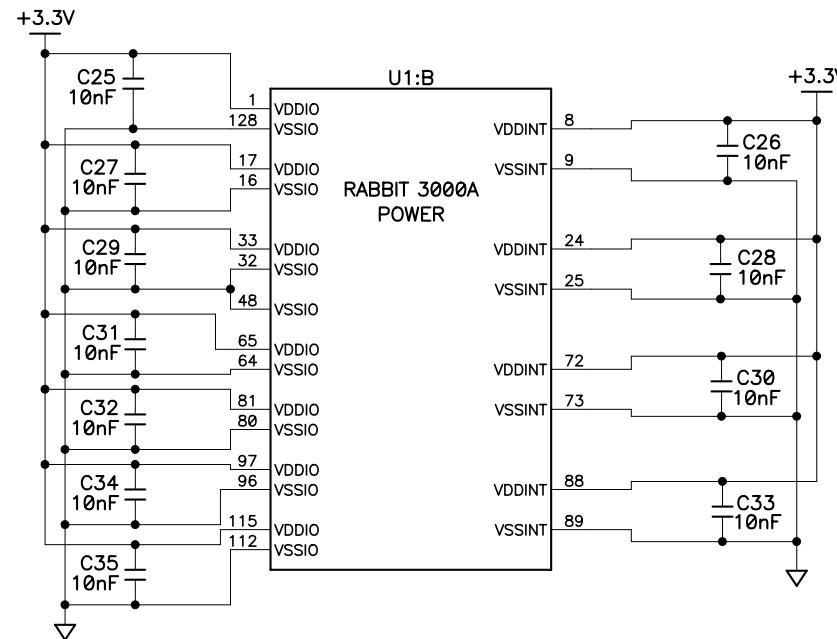
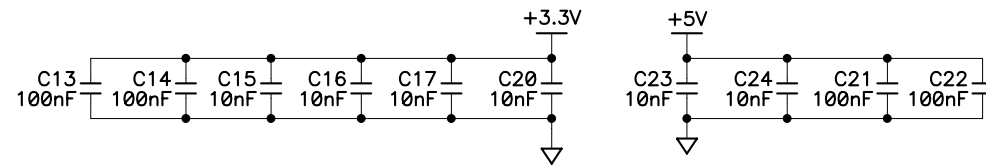


STUFFING TABLE

CIRCUIT	PART	RCM3700	RCM3710	RCM3720
SRAM	U2	512K	128K	256K
SRAM select	JP2	2-3	1-2	1-2
FLASH 1	U3	512K	256K	512K
FLASH 1 select	JP3	2-3	1-2	2-3
BANK SELECT	JP1	1-2	1-2	1-2
POWER TO VRAM	R7	NOT INSTALLED	NOT INSTALLED	NOT INSTALLED
INTERRUPT OPTION	R28	NOT INSTALLED	NOT INSTALLED	NOT INSTALLED
RTC	U4	INSTALLED	INSTALLED	INSTALLED
	R4	NOT INSTALLED	NOT INSTALLED	NOT INSTALLED
SERIAL FLASH	U9	INSTALLED	INSTALLED	INSTALLED
	U13	NOT INSTALLED	NOT INSTALLED	NOT INSTALLED

DE-COUPLING CAPS



REVISION HISTORY

REV	ECO	DESCRIPTION	PROJECT ENGINEER	APPROVAL DATE	DOCUMENT CONTROL	APPROVAL DATE
		PRE-PRODUCTION RELEASE REV A, B				
C	E12348	INITIAL RELEASE	DM	8/1/03	KF	8/1/03
D	E12504	CHANGED RCM3710 SRAM	DM	10/24/03	KF	10/24/03
E	E12695	CORRECT FLASH SIZE FOR RCM3710	EP	3/10/04	KF	3/10/04
F	E12880	ADDED RCM3720 STUFFING OPTION	TCP	8/13/04	KF	8/12/04
G	E13209	REPLACED T1 TO 10/100BASE-T. CHANGED VALUE OF R1, R8, R9, R30, R32. ADDED FERRITE BEAD (L5) AT J3. UPDATED STUFFING CHART.	XT	4/22/05	KF	4/22/05
H	E14111	INSTALL SCHMITT TRIGGER AT U4. REMOVE RESISTOR AT R4.	XT	9/30/05	KF	9/28/05
J	E15144	CHANGED Y2 TO CRYSTAL				
K	E15518	CHANGED T1, U9 AND JP1-3; ADDED TP11				

REVISION APPROVAL

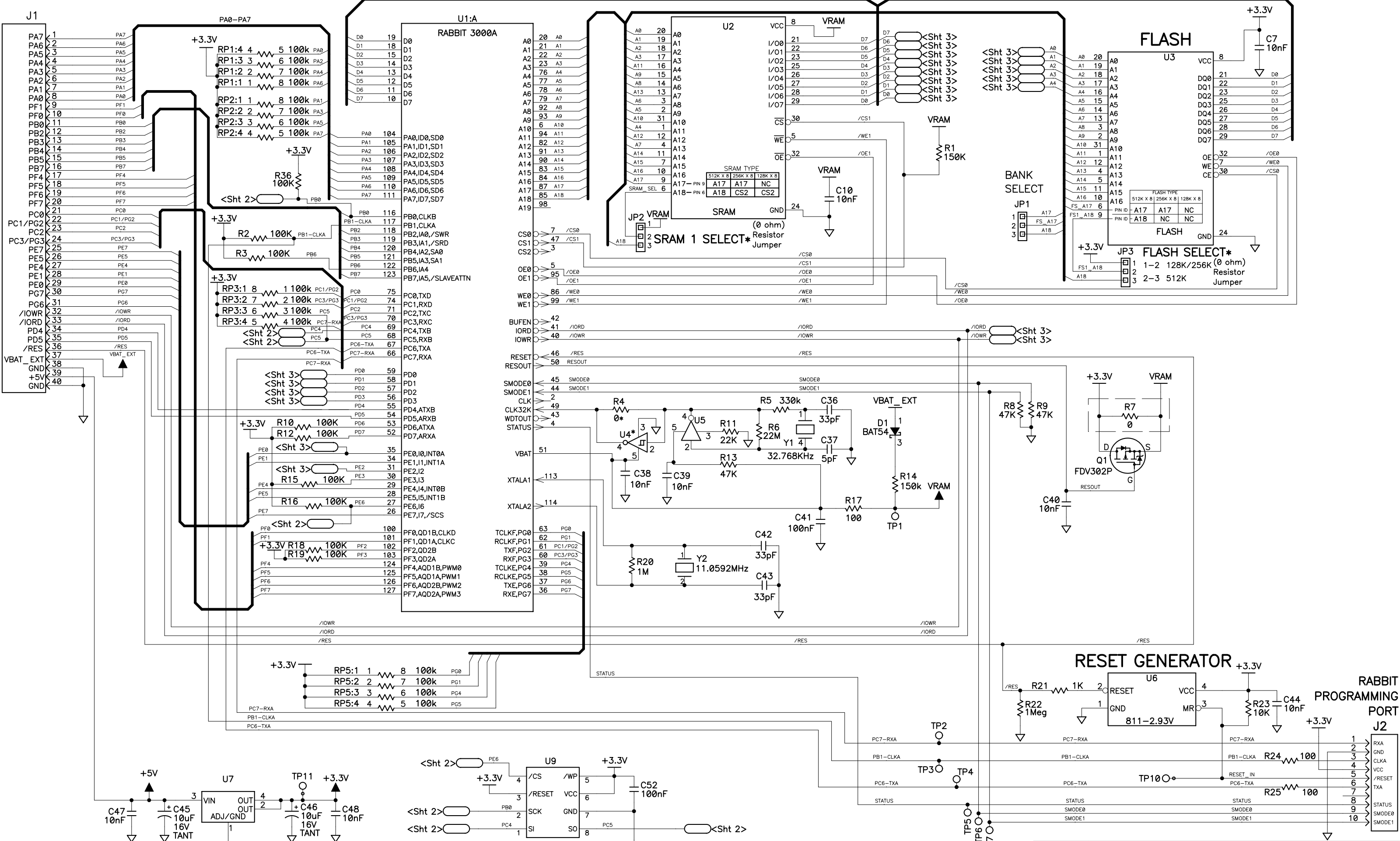
- NOTES: UNLESS OTHERWISE SPECIFIED;
- ALL RESISTOR VALUES ARE IN OHMS, 1/16W, 5%
  - ALL CAPACITORS ARE 10VDC OR HIGHER.
  - THE ORIGIN SOURCE OF A VOLTAGE IS REPRESENTED BY (VCC), AND ALL REFERENCES TO THAT VOLTAGE ARE REPRESENTED BY (VCC).
  - OUTLINED CIRCUIT MAY NOT BE STUFFED DEPENDING ON MODEL, SEE STUFFING CHART FOR CLARIFICATION.
  - COMPONENT VALUES SHOWN WITH AN ASTERISK (\*) FOLLOWING THE VALUE, MAY HAVE DIFFERENT VALUES, OR MAY NOT BE STUFFED DEPENDING ON MODEL.

COPYRIGHT 2007, RABBITSEMICONDUCTOR, INC.

APPEND THE FOLLOWING DOCUMENTS WHEN CHANGING THIS DOCUMENT:	DRAWING CONTENT:		TITLE	
	DRAWN BY: (INITIAL RELEASE) DARREN MUSGROVE	6/12/03	SCHEMATIC DIAGRAM RCM3700	
	REVISED BY: J. NAUER	11/27/07		
	APPROVALS: INITIAL RELEASE			
	PROJECT ENGINEER:		SIZE	DWG NO.
	ENGINEERING MANAGER:		<b>B</b>	090-0177
	SIGNATURES	DATE	SCALE	RELEASE DATE
			NONE	6JUN03
				SHEET 1 OF 3

**RABBIT**  
SEMICONDUCTOR  
www.rabbit.com

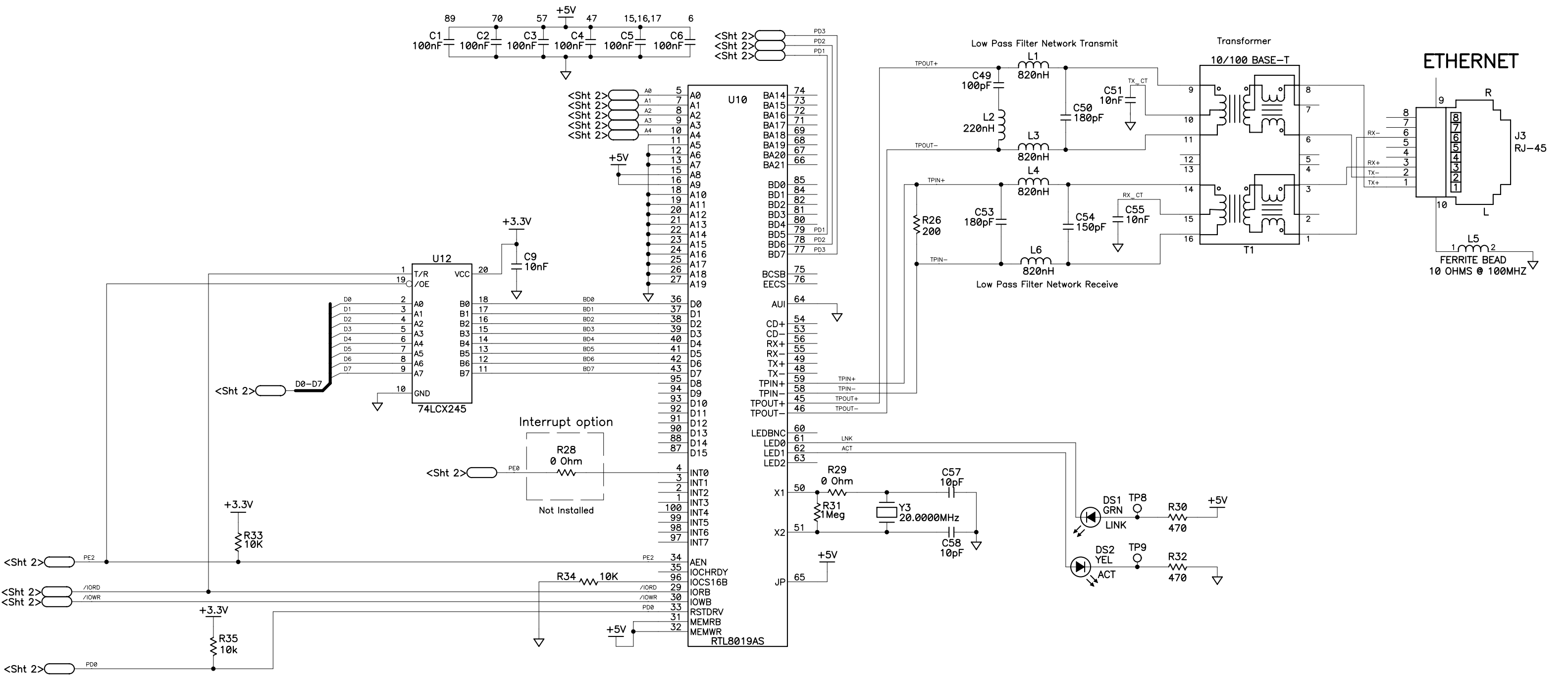
2x20 0.1 inch Header



11/27/07

COPYRIGHT 2007, RABBITSEMICONDUCTOR, INC.

SIZE	DWG NO.
<b>B</b>	090-0177
SCALE	REV LTR
NONE	K
SHEET 2 OF 3	



SIZE <b>B</b>	DWG NO. <b>090-0177</b>
SCALE <b>NONE</b>	REV LTR <b>K</b>
SHEET <b>3</b> OF <b>3</b>	