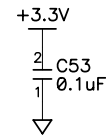


POWER TABLE

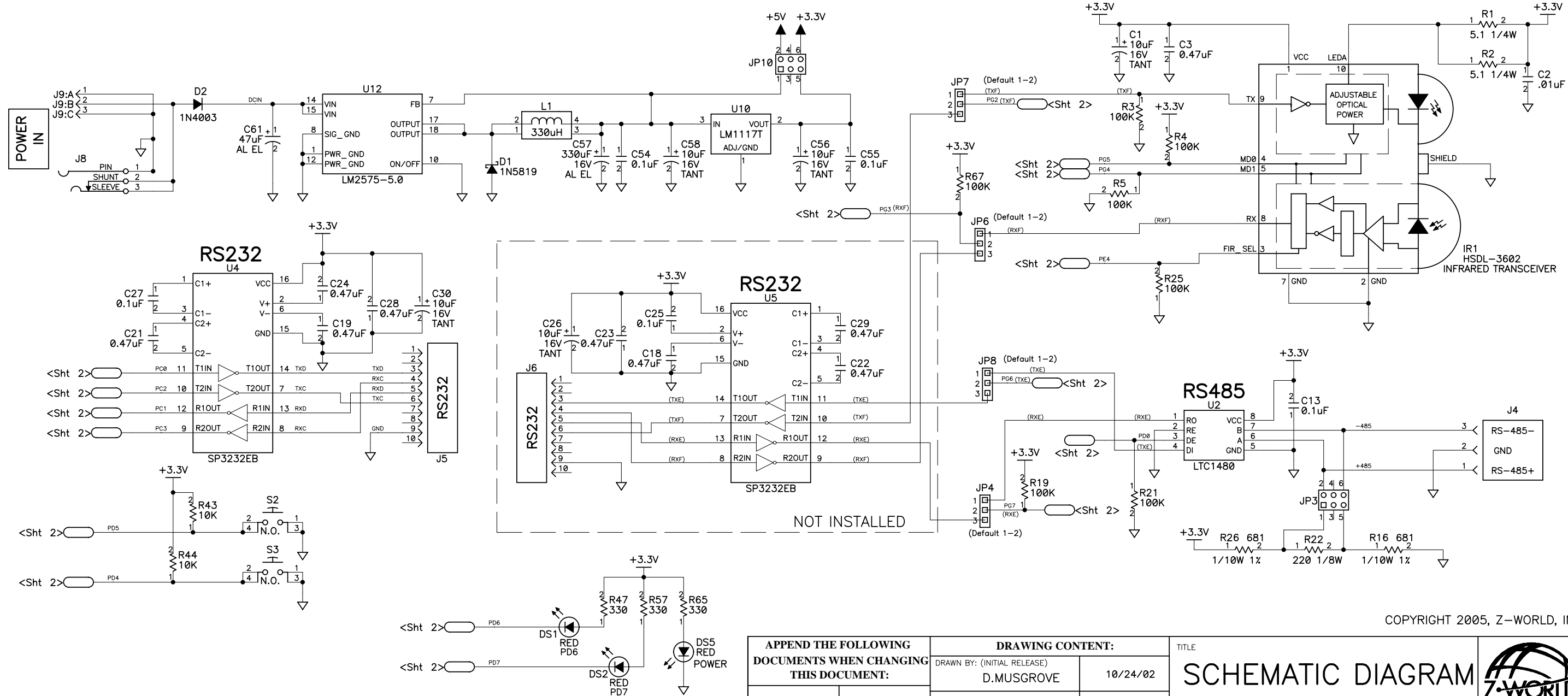
Ref Des	Device	GND	+3.3V
U2	RS485	10	8
U4	RS3232	15	16
U6	INVERTER	3	5
U11	74LCX245	10	20
U13	74LCX245	10	20



NOTES: UNLESS OTHERWISE SPECIFIED;

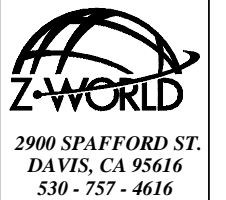
- ALL RESISTOR VALUES ARE IN OHMS, 1/16W, 5%
- ALL CAPACITORS ARE 10VDC OR HIGHER.
- THE ORIGIN SOURCE OF A VOLTAGE IS REPRESENTED BY (+V), AND ALL REFERENCES TO THAT VOLTAGE ARE REPRESENTED BY (+V).
- OUTLINED CIRCUIT MAY NOT BE STUFFED, SEE NOTES.
- COMPONENT VALUES OR CIRCUITS SHOWN WITH AN ASTERISK (*) FOLLOWING THE VALUE, MAY HAVE DIFFERENT VALUES, OR MAY NOT BE STUFFED DEPENDING ON MODEL, SEE STUFFING CHART.

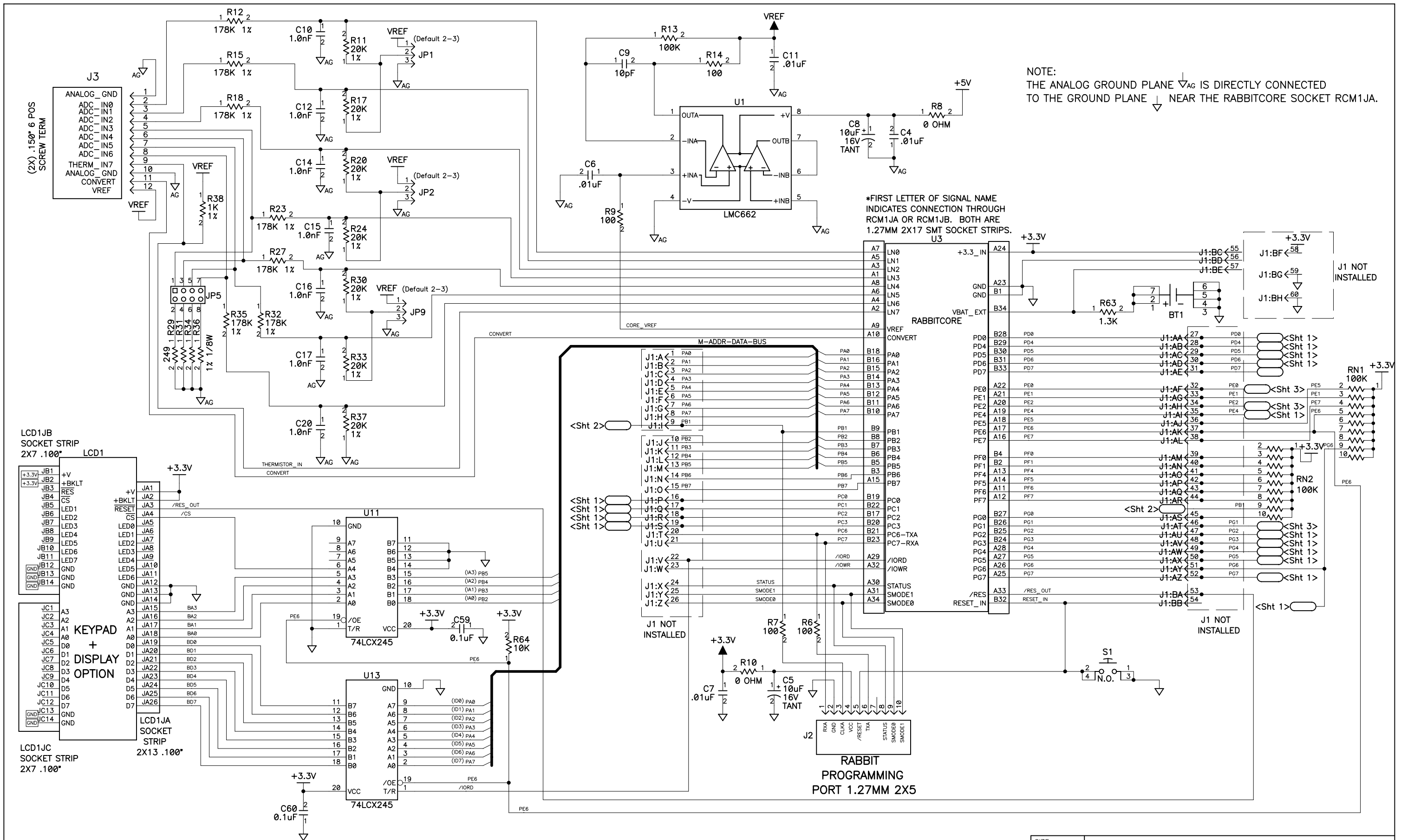
REVISION HISTORY			REVISION APPROVAL			
REV	ECO	DESCRIPTION	PROJECT ENGINEER	APPROVAL DATE	DOCUMENT CONTROL	APPROVAL DATE
D	E12852	CHANGED C18,C19,C21,C22,C23,C24,C28,C29 TO 0.47uF.	XT	7/9/04	KF	7/8/04
E	E12930	CHANGED IR XCEIVER TO 660-0207, DS4 TO GREEN; UPDATED U7 N/C PINS; INDICATE R59 NOT STUFFED; C39 VALUE CORRECTION.	XT	9/8/04	KF	9/8/04
F	E13075	REVISED SMODE0 AND SMODE1 PINS @ J2, CONNECTED PIN 2 &4 OF Y1 TO GND	XT	1/26/05	KF	1/26/05
G	E13227	INTERNAL REVISION	TCP	3/16/05	KF	3/15/05
H	E13327	ADD *AG* DESIGNATION TO APPROPRIATE GROUND SYMBOLS	RJH	5/31/05	KF	5/26/05
J	E14062	STUFFING CHART REVISION	TCP	9/2/05	KF	9/2/05



COPYRIGHT 2005, Z-WORLD, INC.

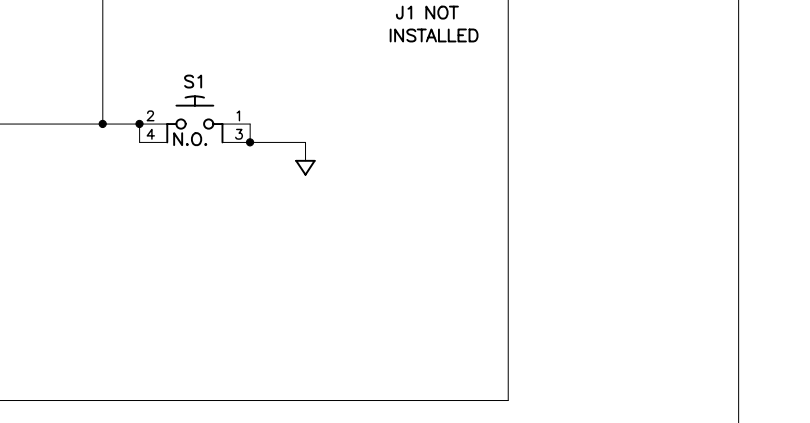
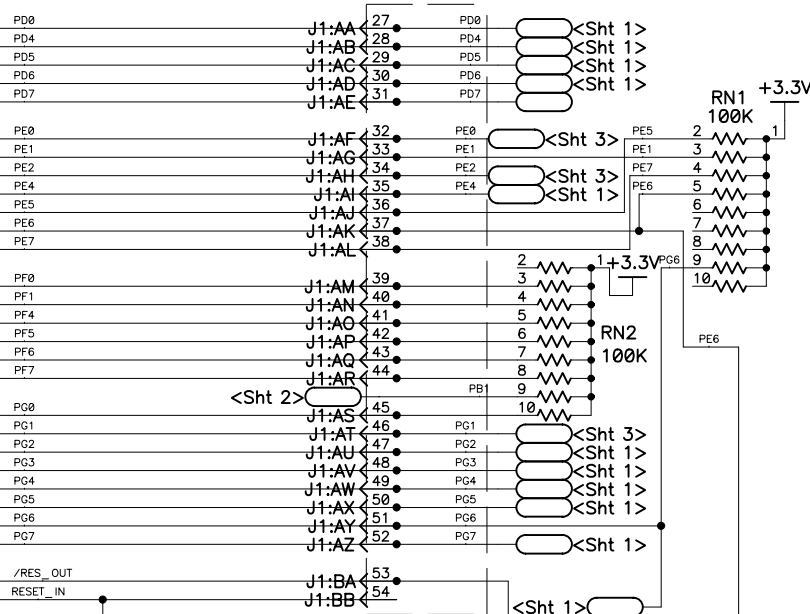
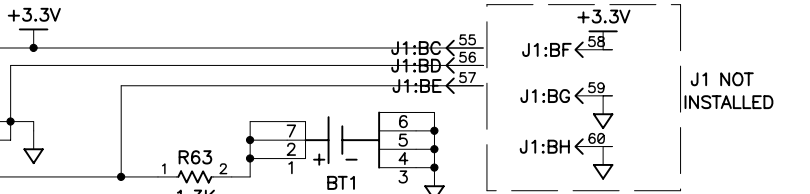
APPEND THE FOLLOWING DOCUMENTS WHEN CHANGING THIS DOCUMENT:		DRAWING CONTENT:		TITLE	
		DRAWN BY: (INITIAL RELEASE)	D.MUSGROVE	10/24/02	SCHEMATIC DIAGRAM RCM3400 SERIES PROTO BOARD
		REVISED BY:	TONY PHAN	9/1/2005	
		APPROVALS: INITIAL RELEASE			
		PROJECT ENGINEER:	D.MUSGROVE	10/25/02	SIZE B DWG NO. 090-0162
		ENGINEERING MANAGER:			
		SIGNATURES	DATE	SCALE NONE	RELEASE DATE 10/28/02
					SHEET 1 OF 3





NOTE:
 THE ANALOG GROUND PLANE ∇_{AG} IS DIRECTLY CONNECTED
 TO THE GROUND PLANE ∇ NEAR THE RABBITCORE SOCKET RCM1JA.

*FIRST LETTER OF SIGNAL NAME
 INDICATES CONNECTION THROUGH
 RCM1JA OR RCM1JB. BOTH ARE
 1.27MM 2X17 SMT SOCKET STRIPS.



9/1/2005

COPYRIGHT 2005, Z-WORLD, INC.

SIZE B	DWG NO. 090-0162
SCALE NONE	REV LTR J
SHEET 2 OF 3	

