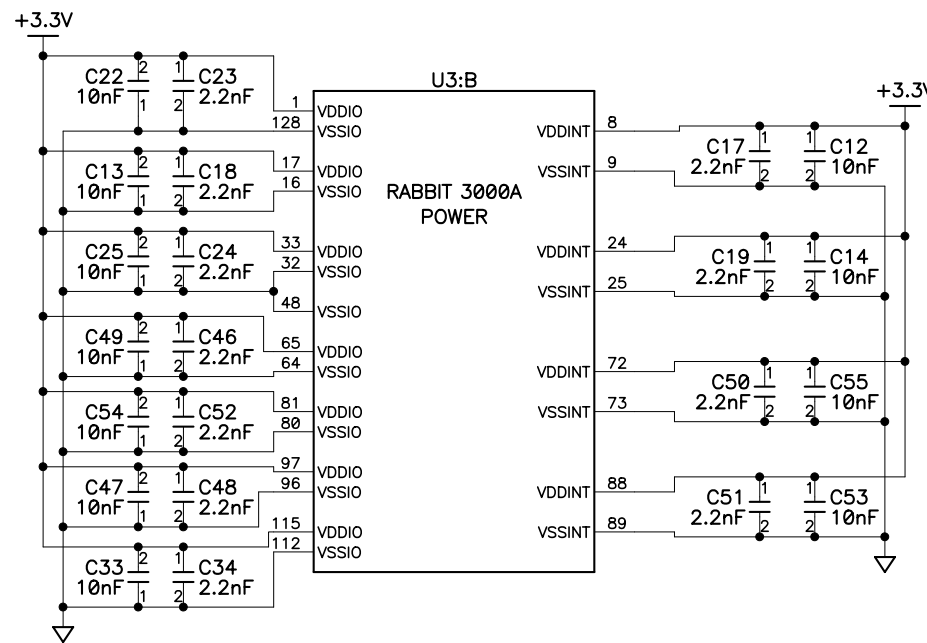
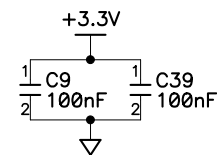
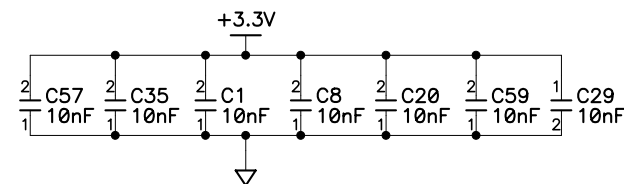
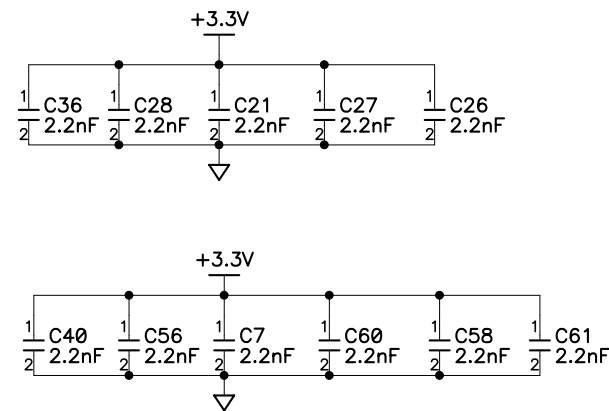


POWER TABLE

Ref Des	Device	GND	+3.3V	VRAM	+V
U2	ADS7870	25			24
U4	FLASH	24	8		
U6	SRAM	24		8	



- NOTES: UNLESS OTHERWISE SPECIFIED;
1. ALL RESISTOR VALUES ARE IN OHMS, 1/16W, 5%
 2. THE ORIGIN SOURCE OF A VOLTAGE IS REPRESENTED BY (VCC), AND ALL REFERENCES TO THAT VOLTAGE ARE REPRESENTED BY (VCC).
 3. COMPONENT VALUES SHOWN WITH AN ASTERISK (*) FOLLOWING THE VALUE, MAY HAVE DIFFERENT VALUES, OR MAY NOT BE STUFFED. SEE STUFFING CHART FOR CLARIFICATION.

CIRCUIT	PARTS	RCM3400	RCM3410
BANK SELECT	JP2	1-2	1-2
FLASH	U4	512K	256K
SELECT	JP1	2-3	1-2
SRAM	U6	512K	256K
SELECT	JP3	2-3	1-2
RTC	U7	INSTALLED	INSTALLED
	R17	NOT INSTALLED	NOT INSTALLED
PWR TO VRAM	R25	NOT INSTALLED	NOT INSTALLED

COPYRIGHT 2007, RABBIT SEMICONDUCTOR, INC.

APPEND THE FOLLOWING DOCUMENTS WHEN CHANGING THIS DOCUMENT:	DRAWING CONTENT:	TITLE
	DRAWN BY: (INITIAL RELEASE) DARREN MUSGROVE	SCHEMATIC DIAGRAM RCM3400 SERIES
	10/17/02	
	REVISED BY: TCP	RABBIT SEMICONDUCTOR www.rabbit.com
	3/20/07	
	APPROVALS: INITIAL RELEASE	
	PROJECT ENGINEER: DARREN MUSGROVE	SIZE B DWG NO. 090-0157
	10/25/02	
	ENGINEERING MANAGER:	
	SIGNATURES	DATE
	SCALE NONE	RELEASE DATE 10/28/02
		SHEET 1 OF 2

REVISION HISTORY			REVISION APPROVAL			
REV	ECO	DESCRIPTION	PROJECT ENGINEER	APPROVAL DATE	DOCUMENT CONTROL	APPROVAL DATE
A	E12110	INITIAL RELEASE	DM	10/25/02	KIS	10/24/02
B	E12130	ADDED C32, RCM3410 OPTION	DM	11/11/02	KIS	11/11/02
C	E12719	Changed R3000 to R3000A, removed U11, added R28 Changed RTC resistor values, Changed R42 to ferrite	DM	4/7/04	KF	4/7/04
D	E13025	CHANGE PIN 24 OF U2 CONNECTED NET FROM +3.3V TO +V.	XT	12/7/04	KF	11/29/04
G	E14062	REVISIONS E-F INTERNAL ONLY, REV G IS THE SAME AS REV D.	TCP	9/2/05	KF	9/2/05
H	E14111	INSTALL SCHMITT TRIGGER AT U7. REMOVE RESISTOR AT R17.	XT	9/30/05	KF	9/29/05
J	E15098	CHANGE Y2 TO CRYSTAL	TCP		KF	

