

REVISION HISTORY			REVISION APPROVAL			
REV	ECO	DESCRIPTION	PROJECT ENGINEER	APPROVAL DATE	DOCUMENT CONTROL	APPROVAL DATE
A	E11810	INITIAL RELEASE	XT	1/31/02	KIS	1/31/02
B	E11834	SMALL MODIFICATIONS TO ENHANCE READABILITY	.	.	.	.

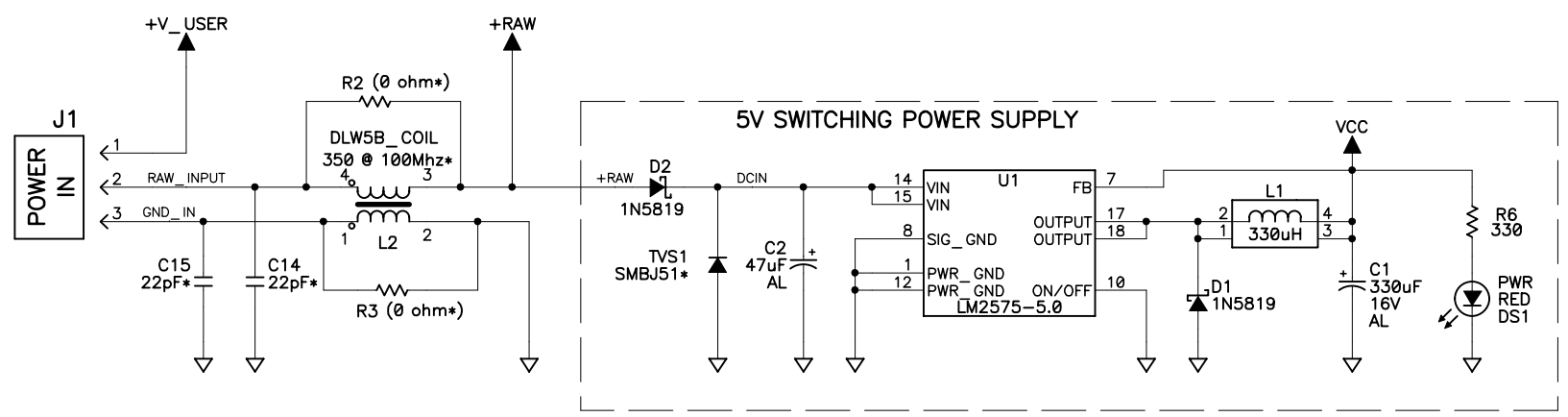
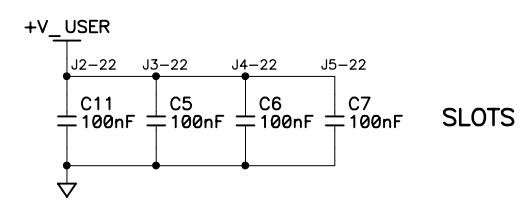
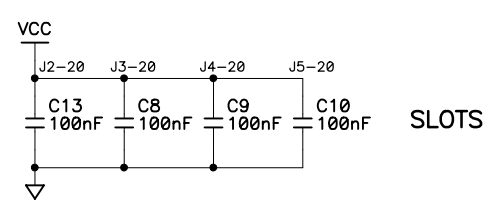
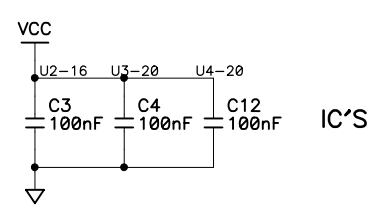


TABLE A

REF DES	DEVICE	DEVICE VOLTAGE INFORMATION			DEVICE: FILTER CAP REF DES(S)
		GND	+5V	NO CONNECTS	
U1	LM2575-5.0			2-6,9,11,13,16, 19-24	
U2	74VHC138	8	16		C3
U3	74VHC245	10	20		C4
U4	74VHC245	10	20		C12

Decoupling Capacitors



- NOTES: UNLESS OTHERWISE SPECIFIED;
- ALL RESISTOR VALUES ARE IN OHMS, 1/10W, 5%
  - ALL CAPACITORS ARE 50VDC OR HIGHER.
  - THE ORIGIN SOURCE OF A VOLTAGE IS REPRESENTED BY (VCC), AND ALL REFERENCES TO THAT VOLTAGE ARE REPRESENTED BY (VCC).
  - COMPONENT VALUES SHOWN WITH AN ASTERISK (\*) FOLLOWING THE VALUE, MAY HAVE DIFFERENT VALUES OR MAY NOT BE STUFFED DEPENDING ON MODEL. SEE STUFFING CHART FOR CLARIFICATION.

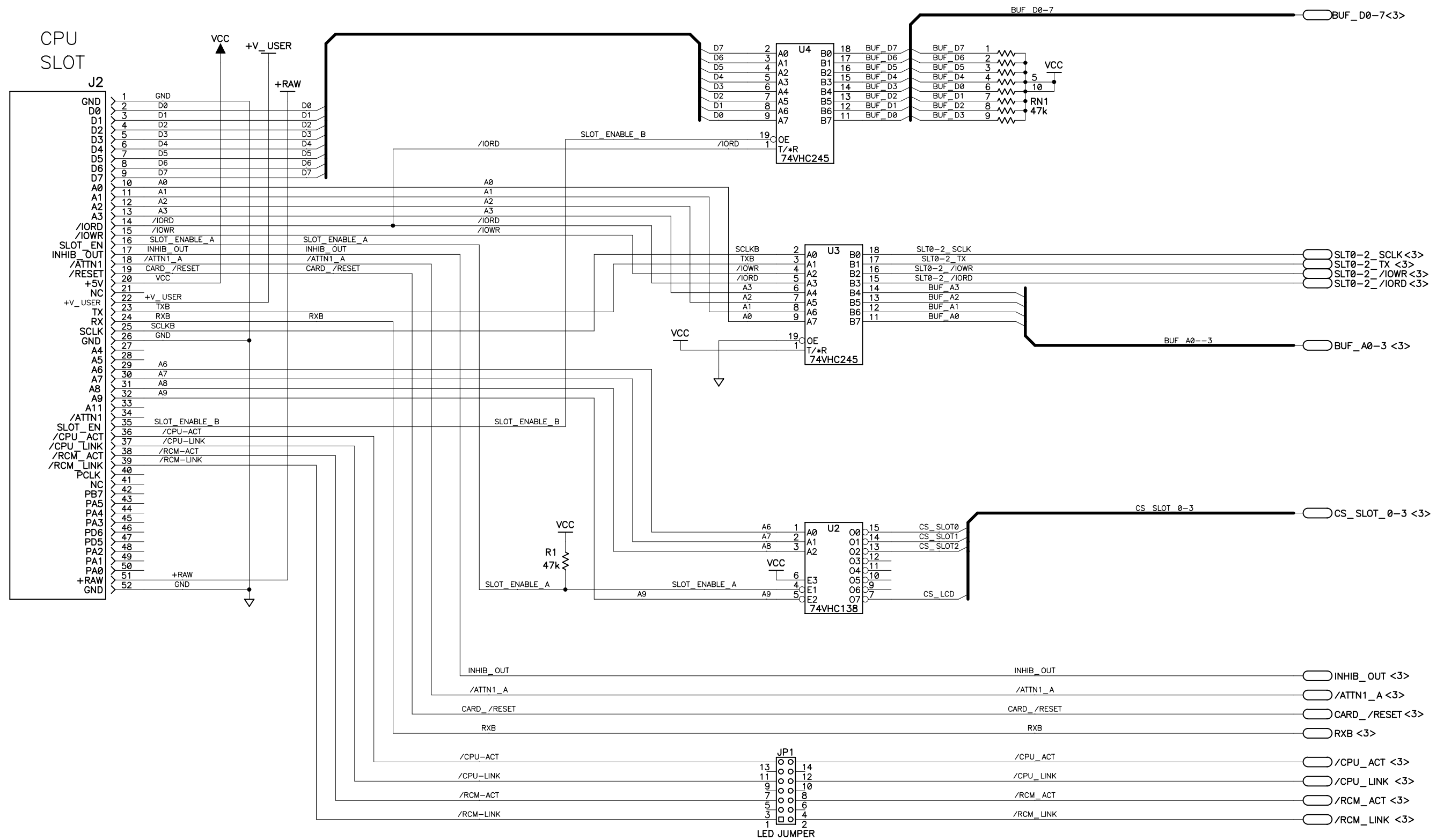
STUFFING TABLE

	PART	SR9050 BACKPLANE
POWER SUPPLY CIRCUIT (PAGE 1)	R2, R3	ZERO OHM RES
	L2	NOT STUFFED
	C14	NOT STUFFED
	C15	NOT STUFFED
	TVS1	NOT STUFFED
TERMINATION RES (PAGE 3)	R4	NOT STUFFED
LED JUMPER (PAGE 2)	JP1	1-2, 5-6, 9-10,13-14

APPEND THE FOLLOWING DOCUMENTS WHEN CHANGING THIS DOCUMENT:		DRAWING CONTENT:		TITLE SCHEMATIC DIAGRAM SR9050 3 SLOT BACKPLANE		 2900 SPAFFORD ST. DAVIS, CA 95616 530-757-4616	
		DRAWN BY: (INITIAL RELEASE) XUAN TRUONG	11/30/01				
		REVISED BY: K.SCHALLER	2/12/02	APPROVALS: INITIAL RELEASE		SIZE <b>B</b>	
		PROJECT ENGINEER:					
		ENGINEERING MANAGER:		DWG NO. <b>090-0130</b>		SCALE NONE	
		SIGNATURES					
		SCALE NONE		RELEASE DATE 1/31/02		SHEET 1 OF 3	

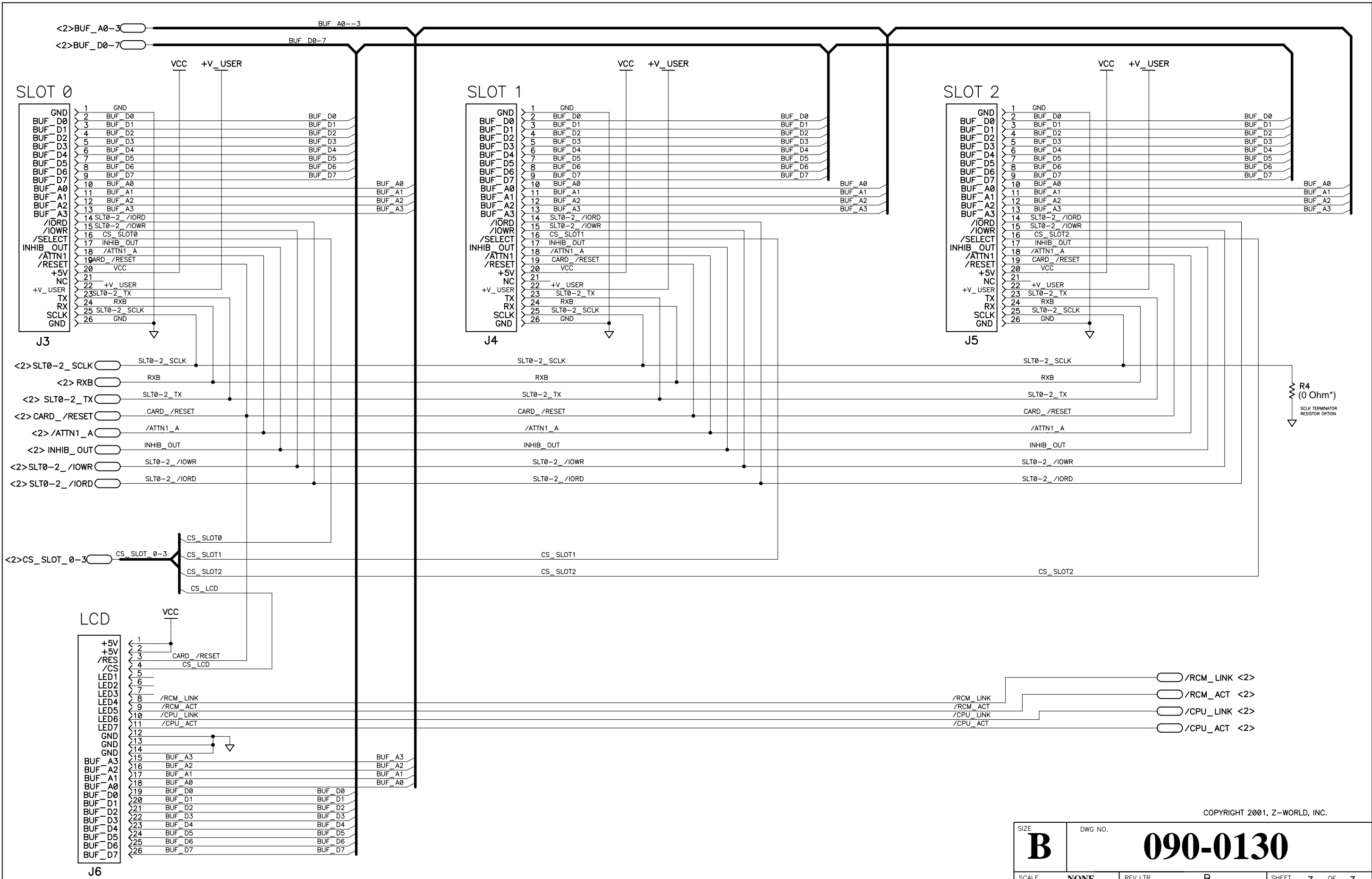
COPYRIGHT 2001, Z-WORLD, INC.

BACKPLANE INTERFACE



COPYRIGHT 2001, Z-WORLD, INC.

SIZE	DWG NO.		
<b>B</b>	<b>090-0130</b>		
SCALE	NONE	REV LTR	B
		SHEET	2 OF 3



COPYRIGHT 2001, Z-WORLD, INC.

SIZE	DWG NO.	<b>090-0130</b>	
<b>B</b>			
SCALE	NONE	REV LTR	B
		SHEET	3 OF 3