

REVISION HISTORY			REVISION APPROVAL			
REV	ECO	DESCRIPTION	PROJECT ENGINEER	APPROVAL DATE	DOCUMENT CONTROL	APPROVAL DATE
A	E11620	INITIAL RELEASE	XT	8/7/01	KIS	8/7/01
B	E11652	CHANGE VALUE OF R2 FROM 1K TO 100 OHMS.	XT	9/6/01	KIS	9/5/01
C	E12253	REVISE PRODUCT NAMING STRUCTURE. CREATE 16M VERS.	KIS	4/15/03	KIS	3/31/03
D	000279	ADD R8, U2, U5, REMOVE U3.	TCP	9/8/08		

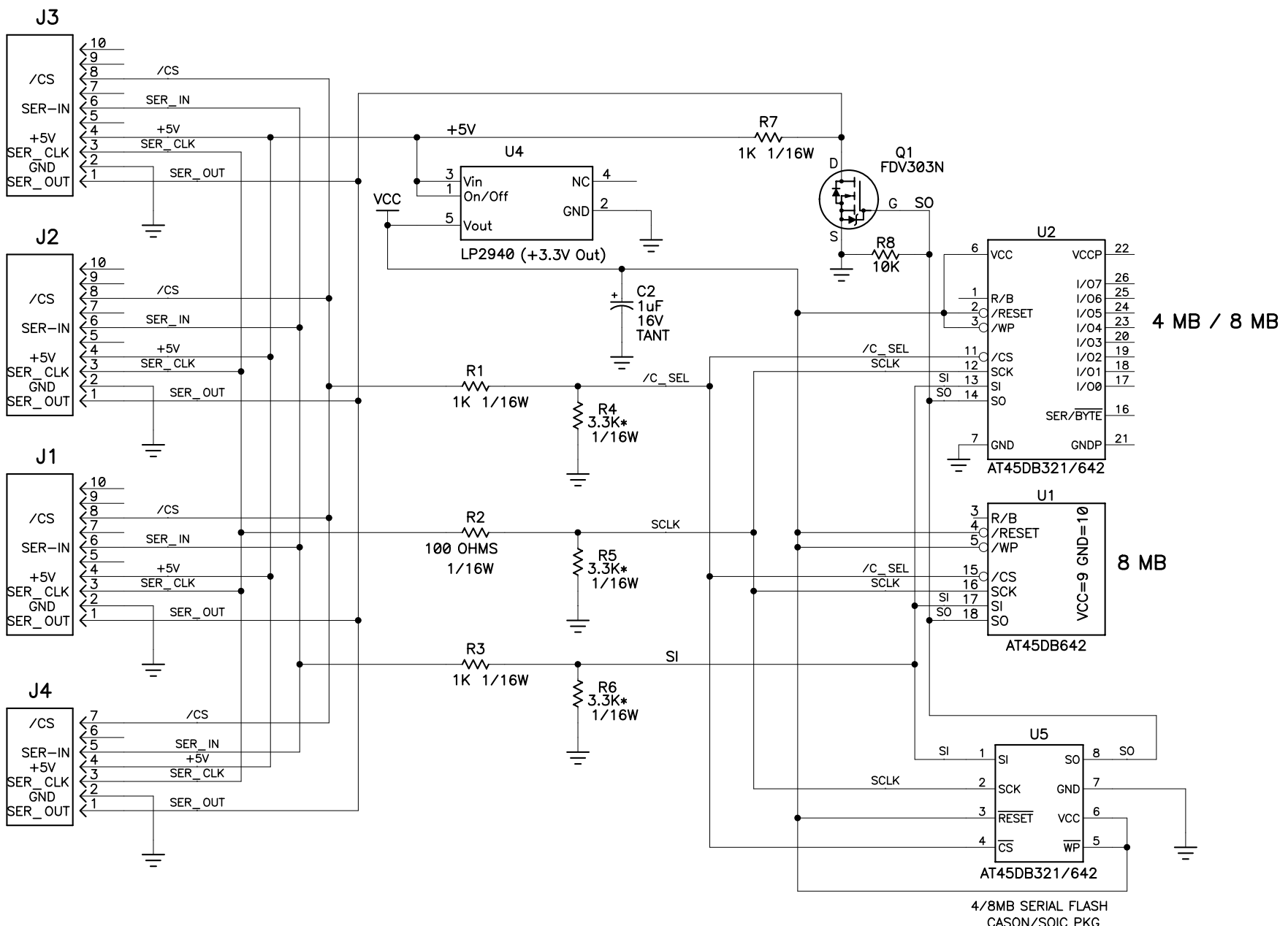


TABLE A

REF DES	DEVICE	DEVICE VOLTAGE INFORMATION	
		GND	VCC
U1	SerFlash 8 MB	10	9
U2	SerFlash 4/8 MB	7	6
U5	SerFlash 4/8 MB	7	6

STUFFING TABLE

CIRCUIT	PART	MODEL	
		8 MByte	4 MByte
SERIAL FLASH	U1	NOT INSTALLED	NOT INSTALLED
	U2	INSTALLED	INSTALLED
	U5	NOT INSTALLED	NOT INSTALLED
HEADERS	J1	2X5 HEADER	2X5 HEADER
	J2	NOT INSTALLED	NOT INSTALLED
	J3	NOT INSTALLED	NOT INSTALLED
	J4	NOT INSTALLED	NOT INSTALLED
RESISTORS	R4	NOT INSTALLED	NOT INSTALLED
	R5	NOT INSTALLED	NOT INSTALLED
	R6	NOT INSTALLED	NOT INSTALLED

COPYRIGHT 2008, RABBIT SEMICONDUCTOR, INC

APPEND THE FOLLOWING DOCUMENTS WHEN CHANGING THIS DOCUMENT:	DRAWING CONTENT:		TITLE		 <a href="http://www.rabbit.com">www.rabbit.com</a>
	DRAWN BY: (INITIAL RELEASE) <b>D.MURAVEZ</b>	<b>14FEB01</b>	<b>SCHEMATIC DIAGRAM</b> <b>SF1000 SERIES</b>		
	REVISED BY: <b>TCP</b>	<b>9/8/08</b>			
	APPROVALS: INITIAL RELEASE		<b>B</b>	DWG NO. <b>090-0123</b>	
	PROJECT ENGINEER: <b>XUAN TRUONG</b>	<b>8/7/01</b>			
	ENGINEERING MANAGER: <b>R.MATTHEWS</b>	<b>8/7/01</b>			
	<b>SIGNATURES</b>	<b>DATE</b>	SCALE <b>NONE</b>	RELEASE DATE <b>8/7/01</b>	SHEET <b>1</b> OF <b>1</b>