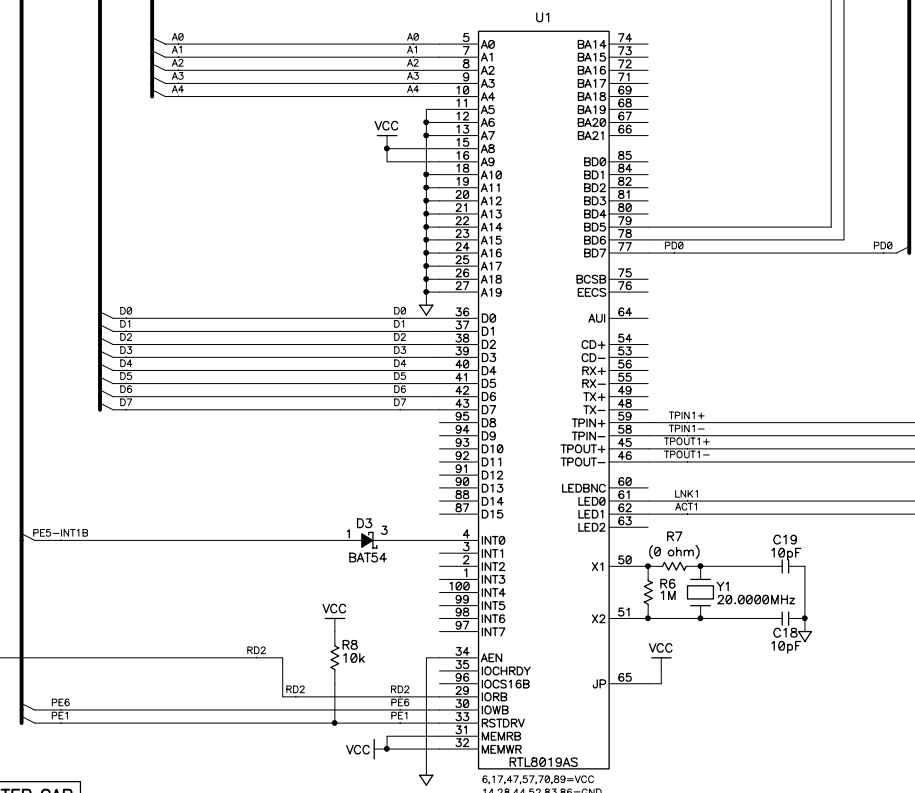
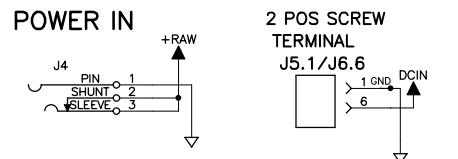
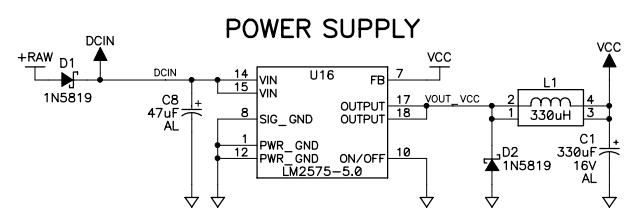


NOTES: UNLESS OTHERWISE SPECIFIED:  
 1. ALL RESISTOR VALUES ARE IN OHMS, 1/16W, 5% WHICH ARE 16V.  
 2. ALL CAPACITORS ARE 50VDC OR HIGHER EXCEPT 100NF WHICH ARE 16V.  
 3. THE ORIGINATION SOURCE OF A VOLTAGE IS REPRESENTED BY (VCC), AND ALL REFERENCES TO THAT VOLTAGE ARE REPRESENTED BY (VCC).



REVISION HISTORY			REVISION APPROVAL			
REV	ECO	DESCRIPTION OF CHANGE	PROJECT ENGINEER	APPROVAL DATE	DOCUMENT CONTROL	APPROVAL DATE
A	E11270	INITIAL RELEASE	RJH	2/1/01	KIS	1/25/01
B	E11697	ADDED EXTERNAL 32KHz OSCILLATOR. MODIFIED VBAT CIRCUITRY. CHANGED J5, J6 TO INTERGRATED RJ-45. ADDED RS-485 TERMINATOR JUMPER JP3.	XT	10/31/01	KIS	10/30/01
C	E11806	REMOVE EG2200, 2300 NAMES & INFO, ADD EM1500, REDUCE TO 3 PAGES.	XT	1/18/02	KIS	1/18/02
D	E11952	REVISE TO INCLUDE CURRENT RABBITLINK REVISION AND CONFIGURATION ONLY. FOR UNUSED CIRCUITRY, SEE REV A.	EP	5/30/02	KIS	5/29/02

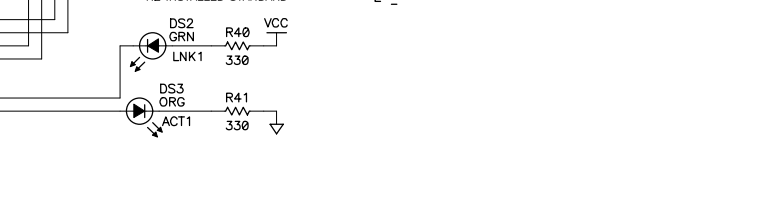
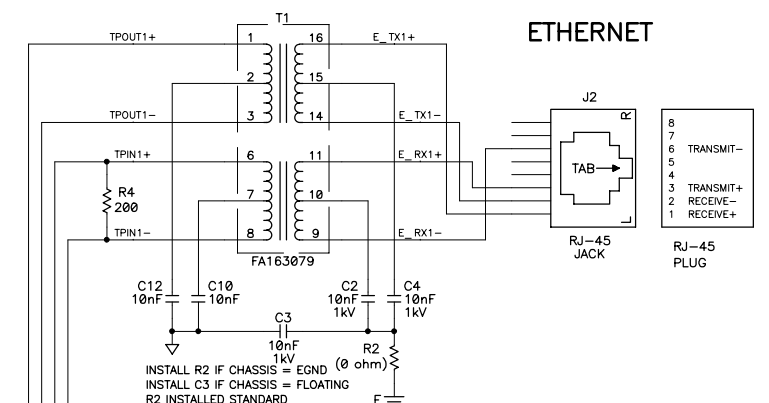


TABLE A

REF DES	DEVICE	DEVICE VOLTAGE INFORMATION					DEVICE: FILTER CAP REF DES(S)
		AGND	GND	VCC	VRAM	NO CONNECTS	
U1	RTL8019AS		14,28,44 52,83,86	6,17,47 57,70,89			C9,11,22,28,31,67
U3	RABBIT 2000		2,27,39 52,77,89	3,28,53 78,92	42		C30,32,44,60 C61 - PIN42
U10	FLASH		24	8			C43
U12	FLASH		24	8			C29
U13	74HC257		8	16			C68
U14	ETC811L						
U15	SRAM 512,128K		16		32		C73
U16	LM2575-5.0					2-6.9.11.13.16.19-24	

APPEND THE FOLLOWING DOCUMENTS WHEN CHANGING THIS DOCUMENT:		DRAWING CONTENT:		TITLE	
		DRAWN BY: (INITIAL RELEASE)		SCHEMATIC DIAGRAM	
		KAH	25JUL00	EG2100 RABBITLINK	
		REVISED BY:		ETHERNET PLATFORM	
		KRISTI SCHALLER	29 MAY 02	Z-WORLD	
		APPROVALS: INITIAL RELEASE		2900 SPAFFORD ST.	
		PROJECT ENGINEER:		DAVIS, CA 95616	
		RICHARD HESS	1 FEB 01	530 - 757-4616	
		ENGINEERING MANAGER:		SIZE	DWG NO.
		R.MATTHEWS	1 FEB 01	C	090-0112
		SIGNATURES		SCALE	NONE
		DATE		RELEASE DATE	1 FEB 01
				SHEET	1 OF 2

COPYRIGHT 2001, Z-WORLD, INC.

