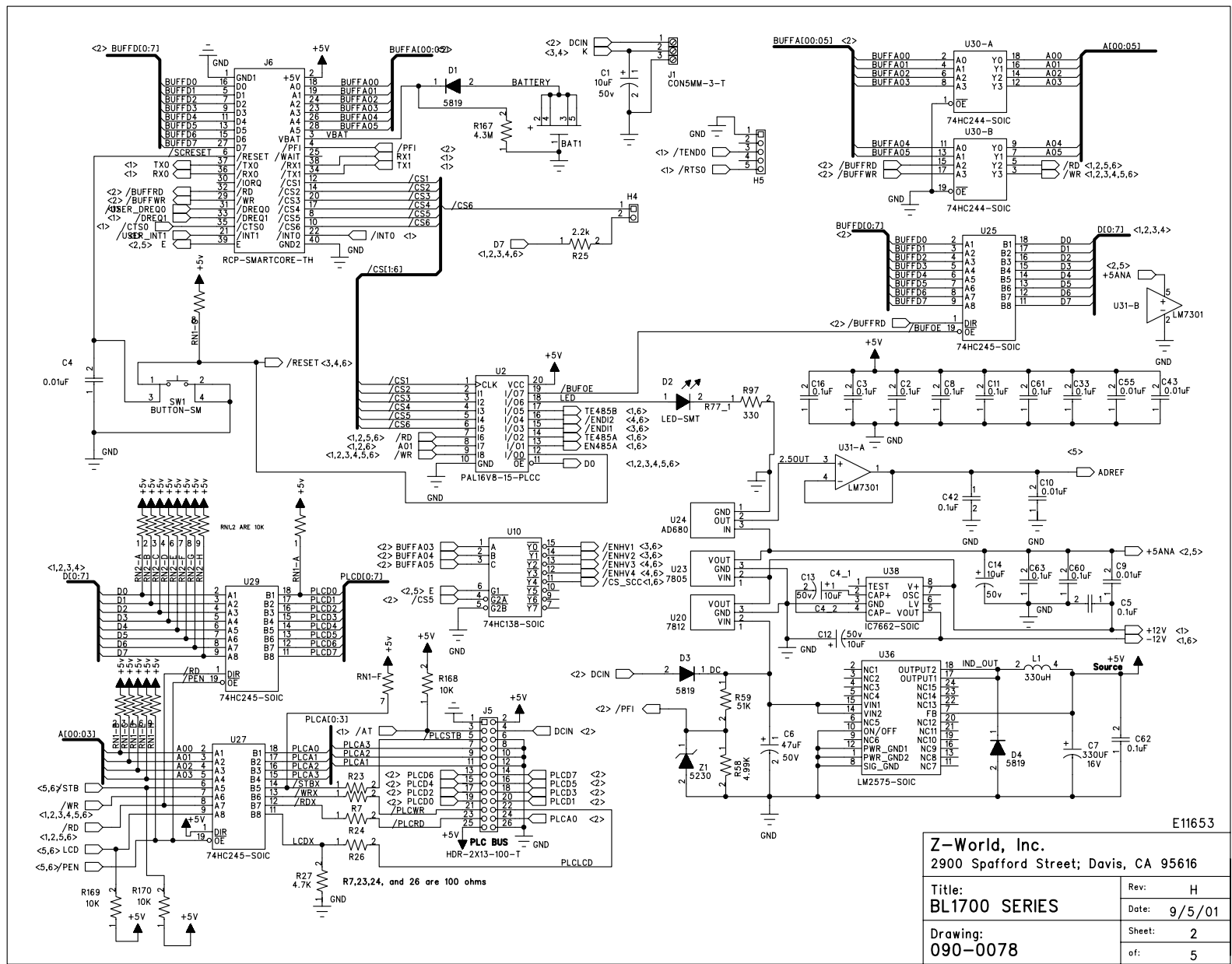


ECO#E1152 CHANGE VALUES OF R164-R166 FROM 4.7K TO 3.3K OHMS. APPROVALS:EP 8/6/01 KIS 8/6/01

ECO#E11653 CHANGE VALUE OF R58 FOR PFI VOLTAGE.



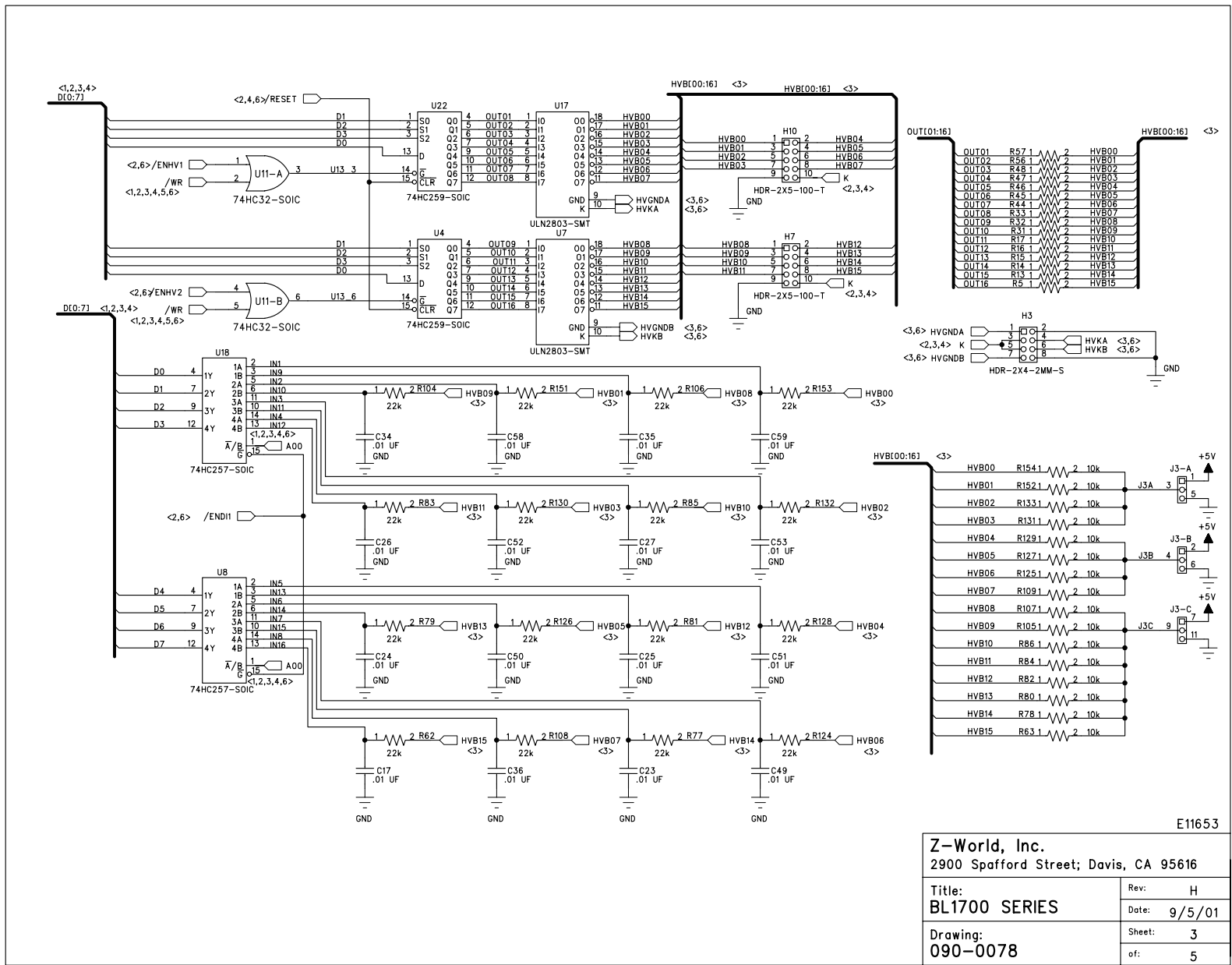
Z-World, Inc. 2900 Spafford Street; Davis, CA 95616	
Title:	Rev: H
BL1700 SERIES	Date: 9/5/01
Drawing:	Sheet: 1
090-0078	of: 5

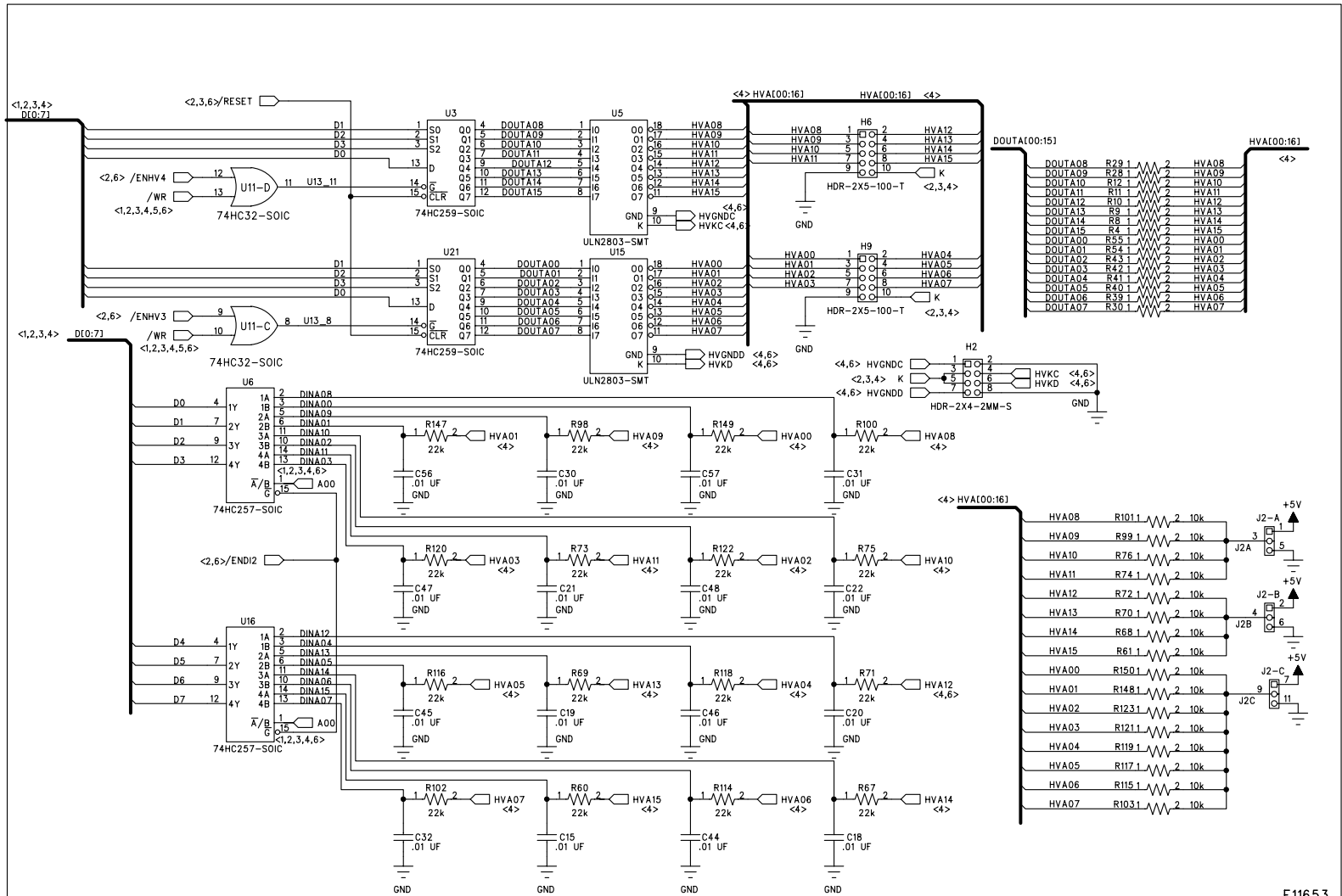


E11653

Z-World, Inc.
2900 Spafford Street; Davis, CA 95616

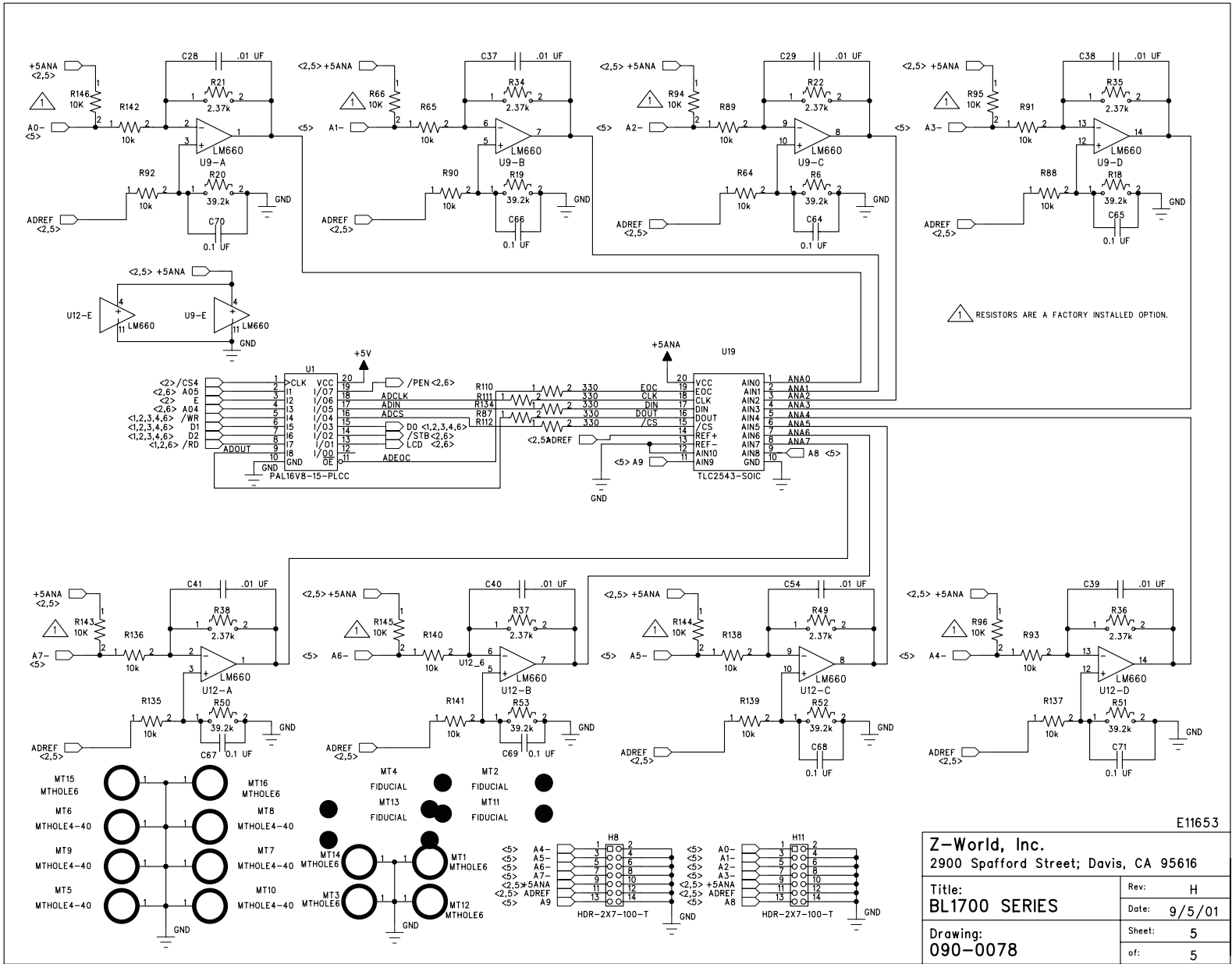
Title: BL1700 SERIES	Rev: H
Drawing: 090-0078	Date: 9/5/01
	Sheet: 2
	of: 5





E11653

Z-World, Inc. 2900 Spafford Street; Davis, CA 95616	
Title: BL1700 SERIES	Rev: H
Drawing: 090-0078	Date: 9/5/01
	Sheet: 4
	of: 5



E11653

Z-World, Inc. 2900 Spafford Street; Davis, CA 95616	
Title:	Rev: H
BL1700 SERIES	Date: 9/5/01
Drawing:	Sheet: 5
090-0078	of: 5