

NOTES: UNLESS OTHERWISE SPECIFIED;
 1. ALL RESISTOR VALUES ARE IN OHMS, 1/10W, 5%
 2. ALL CAPACITORS ARE 50VDC OR HIGHER.
 3. THE ORIGIN SOURCE OF A VOLTAGE IS REPRESENTED BY (VCC), AND ALL REFERENCES TO THAT VOLTAGE ARE REPRESENTED BY (VCC).

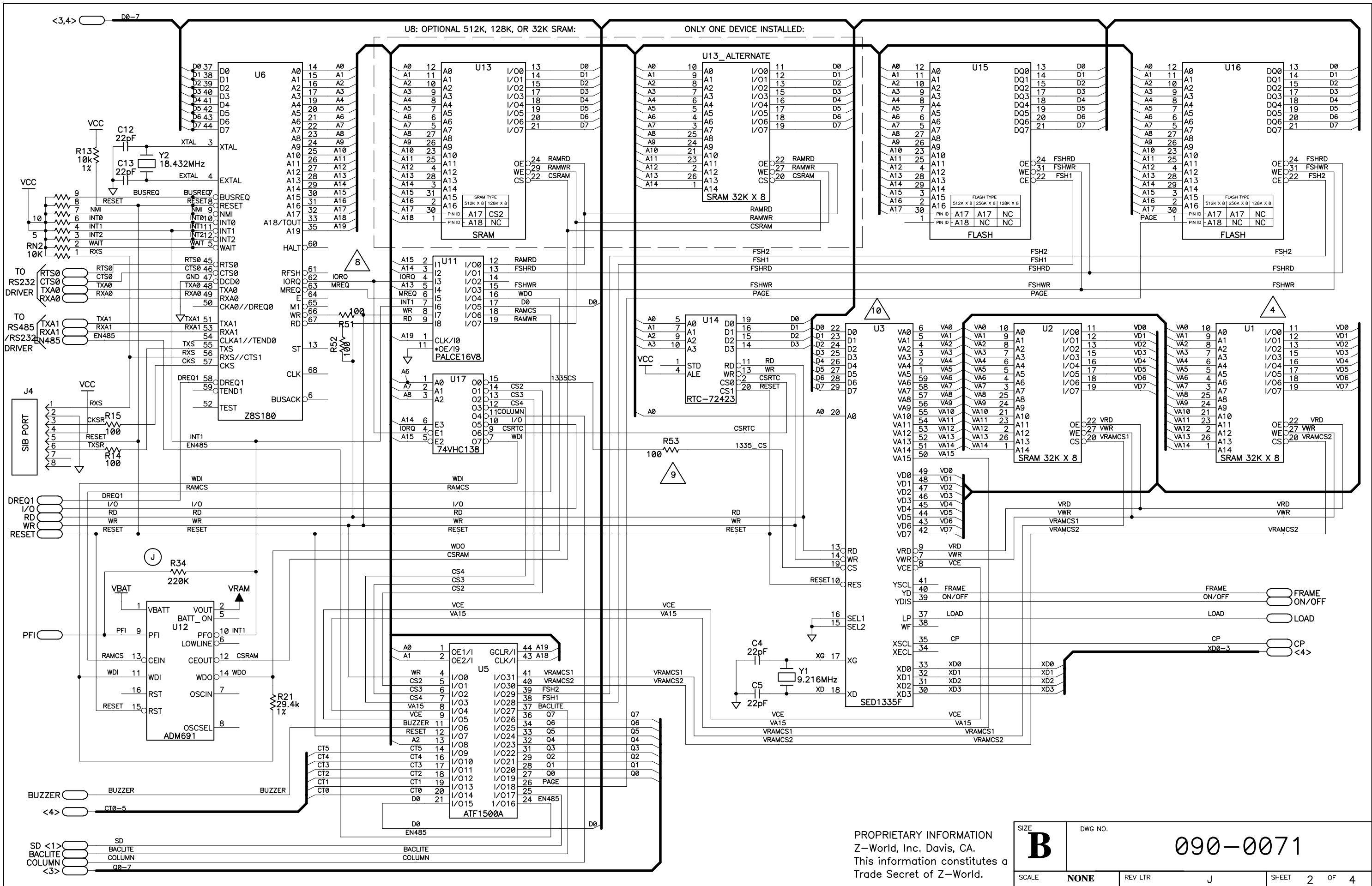
- 4 COMPONENT NOT INSTALLED ON OP7100/10/20/30.
- 5 COMPONENT NOT INSTALLED FOR OP71xx/PK26xx VERISON.
- 6 HORIZONTAL MOUNT OP71xx, VERTICAL MOUNT OP71xx/PK26xx.
- 7 PLUGGABLE OP71xx, SCREW TERM OP71xx/PK26xx.
- 8 PLACE R51 & R52 WITHIN 12MM OF U6-66 & U6-67 RESPECTIVELY. 0603 (0.0625W), 5%
- 9 PLACE R53 WITHIN 12MM OF U17-15 0603(0.0625W), 5%
- 10 PLACE C6 & C51 AS CLOSE AS POSSIBLE TO U3-20 (Vcc)

PROPRIETARY INFORMATION
 Z-World, Inc. Davis, CA.
 This information constitutes a
 Trade Secret of Z-World.

APPEND THE FOLLOWING DOCUMENTS WHEN CHANGING THIS DOCUMENT:		DRAWING CONTENT:		TITLE <h2 style="margin: 0;">SCHEMATIC DIAGRAM OP7100 SERIES</h2>		 2900 SPAFFORD ST. DAVIS, CA 95616 530 - 757 - 4616	
		DRAWN BY: (INITIAL RELEASE) MYW 02JUL98 REVISED BY: ERIC PEAK 15May01					
APPROVALS: INITIAL RELEASE		APPROVALS: INITIAL RELEASE		SIZE B DWG NO. <h1 style="margin: 0;">090-0071</h1>		SCALE NONE RELEASE DATE 22JAN99 SHEET 1 OF 4	
		PROJECT ENGINEER: MYW 22JAN99 ENGINEERING MANAGER: ---					
SIGNATURES		DATE					

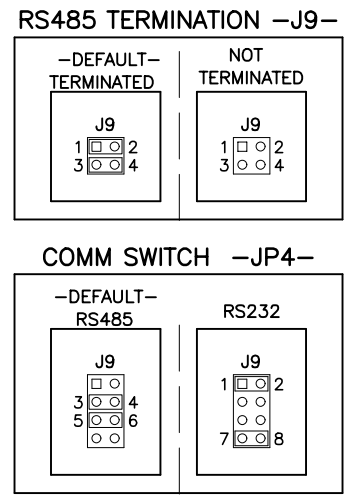
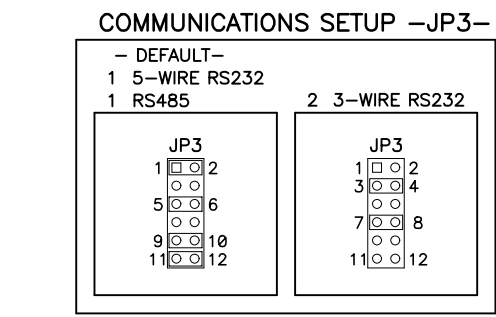
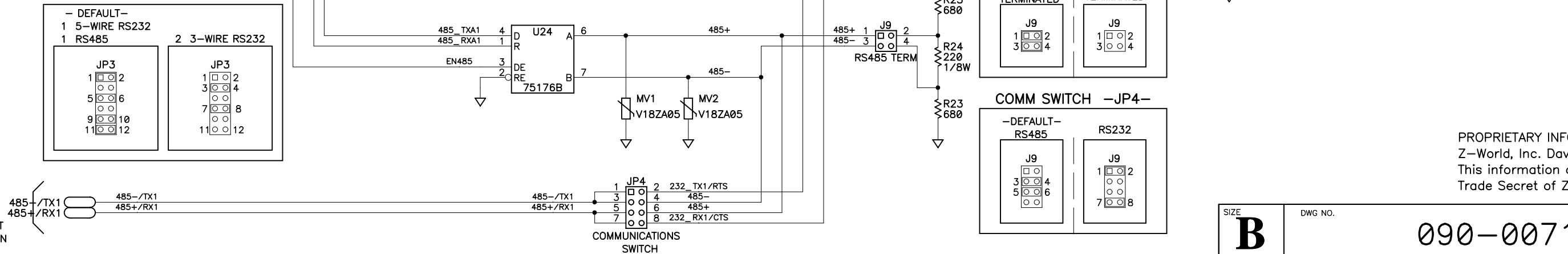
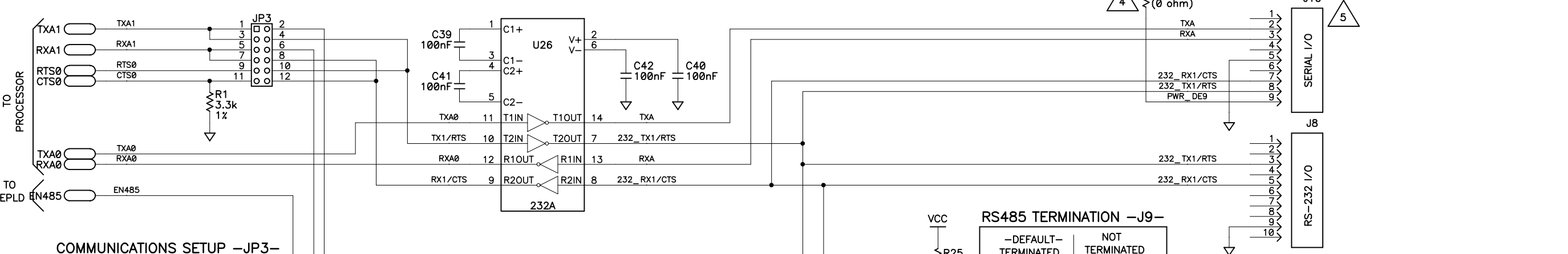
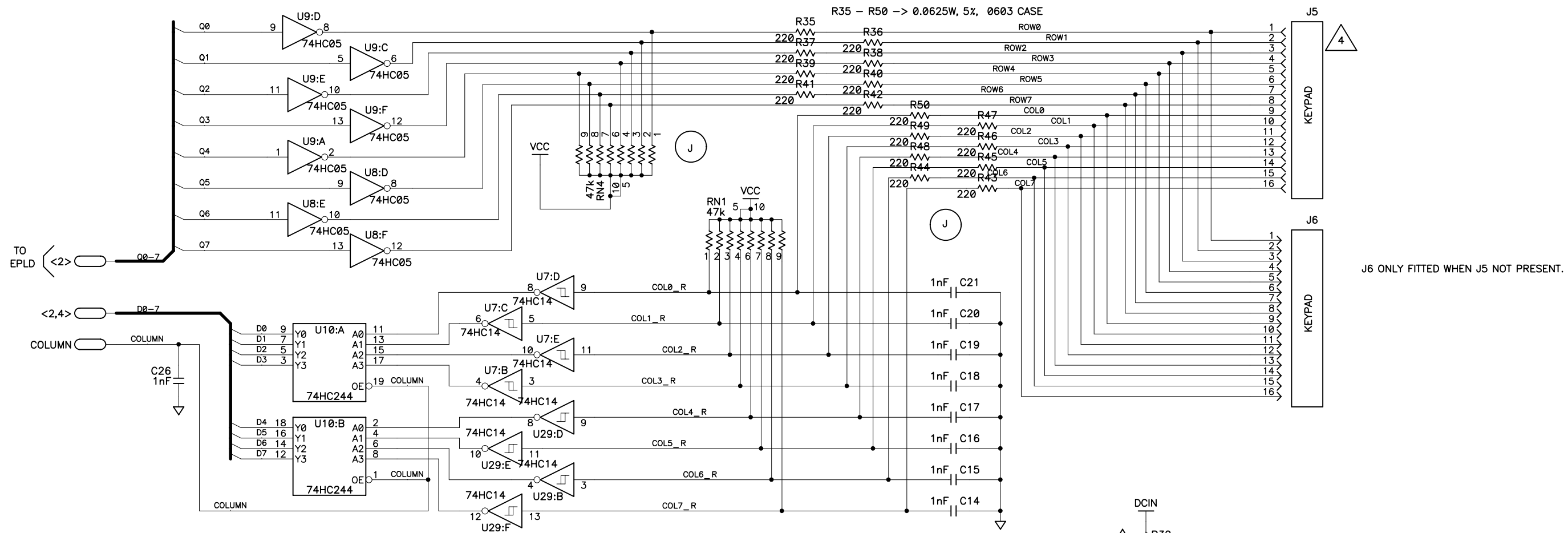
REVISION HISTORY				REVISION APPROVAL			
REV	ECO	DESCRIPTION	PROJECT ENGINEER	APPROVAL DATE	DOCUMENT CONTROL	APPROVAL DATE	
E	E10605	ADD C49 .01uF CAPACITOR ACROSS PINS J1: 11 AND 13 TO FILTER OUT NOISE GLITCH IN THERMISTOR FEEDBACK LOOP	RAK	02JUN99	KAH	03JUN99	
F	E10703	CHANGE VALUE OF C49 FROM 100nF TO 10nF TO ELIMINATE CURRENT SURGE DAMAGING OUTPUT TRANSISTORS IN OP-AMPS U21 AND U22	RAK	03SEP99	KAH	03SEP99	
G	E10726	CHANGE C49 TO SMT PART, ADD R33 IN SERIES TO OP-AMP U21, UPDATE GLASS TO REFLECT CHANGE, TRACKS REV-F GLASS	RAK	27SEP99	KAH	27SEP99	
H	E10854	RS-485 10k PULLUP RESISTORS R23 & R25 DO NOT ALLOW PROPER NOISE IMMUNITY, CHANGE VALUE OF R23 & R25 TO 680 OHMS	RAK	20OCT99	KAH	20DEC99	
J	E11552	ADD R51 / 52 TO RD & WR LINES; ADD R35 - R50, R53, R54, C51 C50 - 47uF TANTALUM - ADDED. R34, D4 ADDED. U23 CIRCUIT CHANGED	EP	8/06/01	KIS	8/06/01	

REF DES	DEVICE	DEVICE VOLTAGE INFORMATION					DEVICE: FILTER CAP REF DES(S)
		GND	VCC	VRAM	VEE	NO CONNECTS	
U1	SRAM 32K X 8	14	28				C2
U2	SRAM 32K X 8	14	28				C3
U3	SED1335F	36	21			29, 48, 49	C6, C51
U4	74HC14	7	14				C7
U5	ATF1500A	10, 22, 30, 42	3, 15, 23, 35				C9, C10
U6	Z8S180	1,2,18,36	34				C11
U7	74HC14	7	14				C24
U8	74HC05	7	14				C22
U9	74HC05	7	14				C23
U10	74HC244	10	20				C25
U11	PALCE16V8	10	20				C27
U12	ADM691	4	3				C28
U13	SRAM 512K X 8	16		32			
	SRAM 32K X 8	14		28			
U14	RTC-72423	12		24		3,6,8,17,18,21-23	
U15	FLASH 512K X 8	16	32				C29
U16	FLASH 512K X 8	16	32				C30
U17	74VHC138	8	16				C31
U18	74HC259	8	16				C32
U19	74HC244	10	20				C33
U20	74HC32	7	14				C34
U21	LM7301		5		2		
U22	LM7301		5		2		
U23	7662						
U24	75176B	5	8				
U25	7662						
U26	MAX232A	15	16				
U27	2951						
U28	LM2575-5.0					2-6,9,11,13,16,19-24	
U29	74HC14	7	14				C24



PROPRIETARY INFORMATION
 Z-World, Inc. Davis, CA.
 This information constitutes a
 Trade Secret of Z-World.

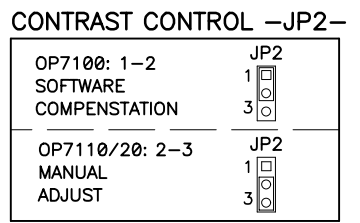
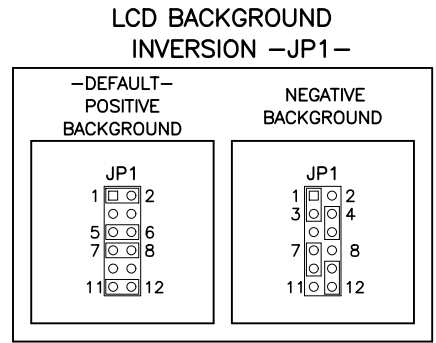
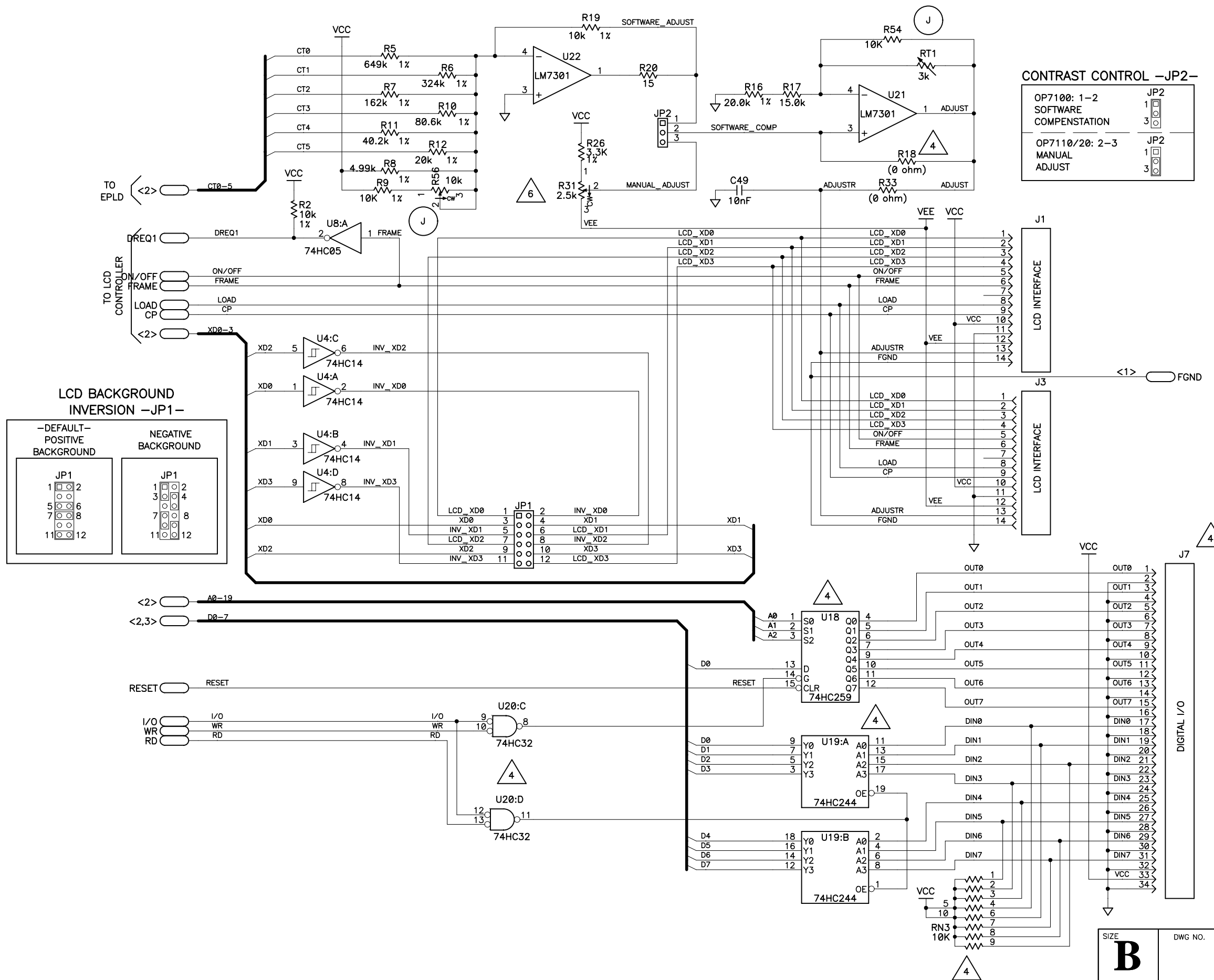
SIZE B	DWG NO. 090-0071
SCALE NONE	REV LTR J
SHEET 2 OF 4	



J6 ONLY FITTED WHEN J5 NOT PRESENT.

PROPRIETARY INFORMATION
Z-World, Inc. Davis, CA.
This information constitutes a
Trade Secret of Z-World.

SIZE B	DWG NO. 090-0071
SCALE NONE	REV LTR J
SHEET 3 OF 4	



PROPRIETARY INFORMATION
Z-World, Inc. Davis, CA.
This information constitutes a
Trade Secret of Z-World.

SIZE B	DWG NO. 090-0071
SCALE NONE	REV LTR J
SHEET 4	OF 4