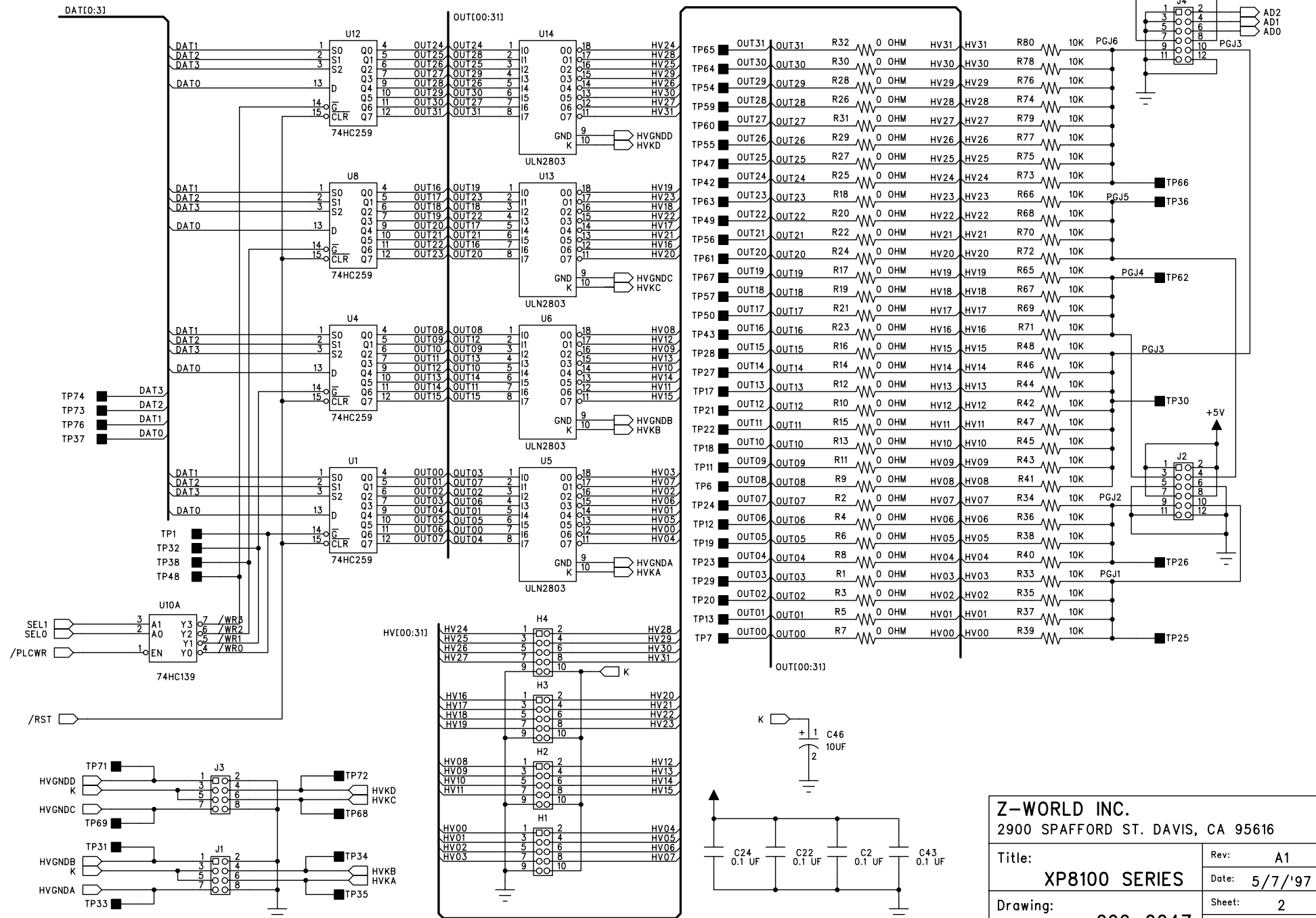


<b>Z-WORLD INC.</b>	
2900 SPAFFORD ST. DAVIS, CA 95616	
Title:	Rev: A1
XP8100 SERIES	Date: 5/7/'97
Drawing:	Sheet: 1
090-0047	of: 3

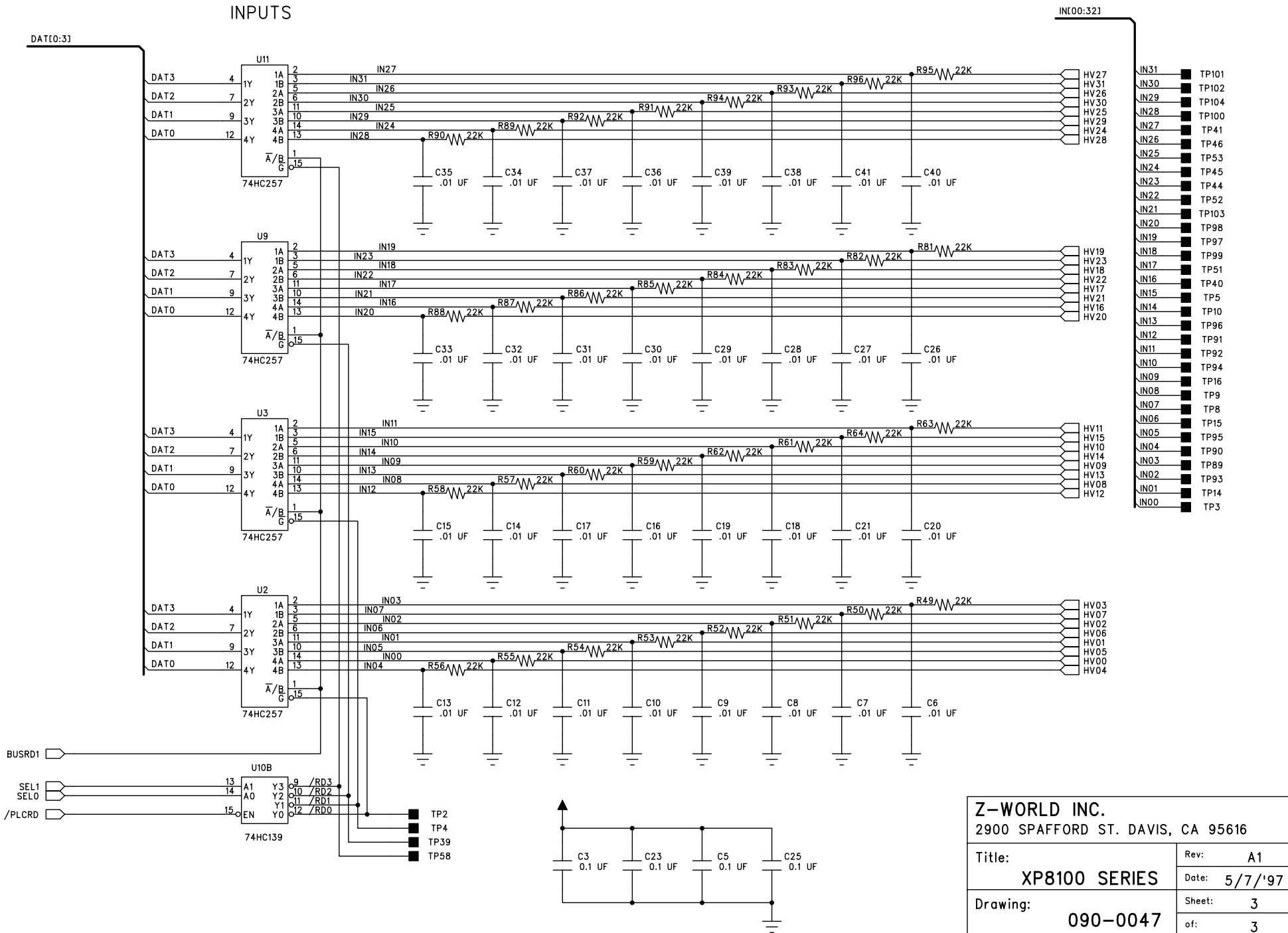
# OUTPUTS



**Z-WORLD INC.**  
 2900 SPAFFORD ST. DAVIS, CA 95616

Title:	Rev: A1
XP8100 SERIES	Date: 5/7/'97
Drawing:	Sheet: 2
090-0047	of: 3

# INPUTS



**Z-WORLD INC.**  
 2900 SPAFFORD ST. DAVIS, CA 95616

Title:	Rev: A1
XP8100 SERIES	Date: 5/7/'97
Drawing: 090-0047	Sheet: 3
	of: 3