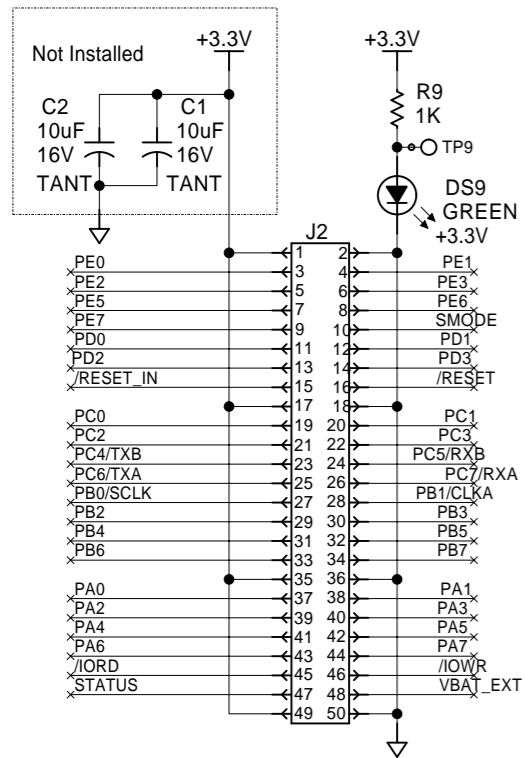
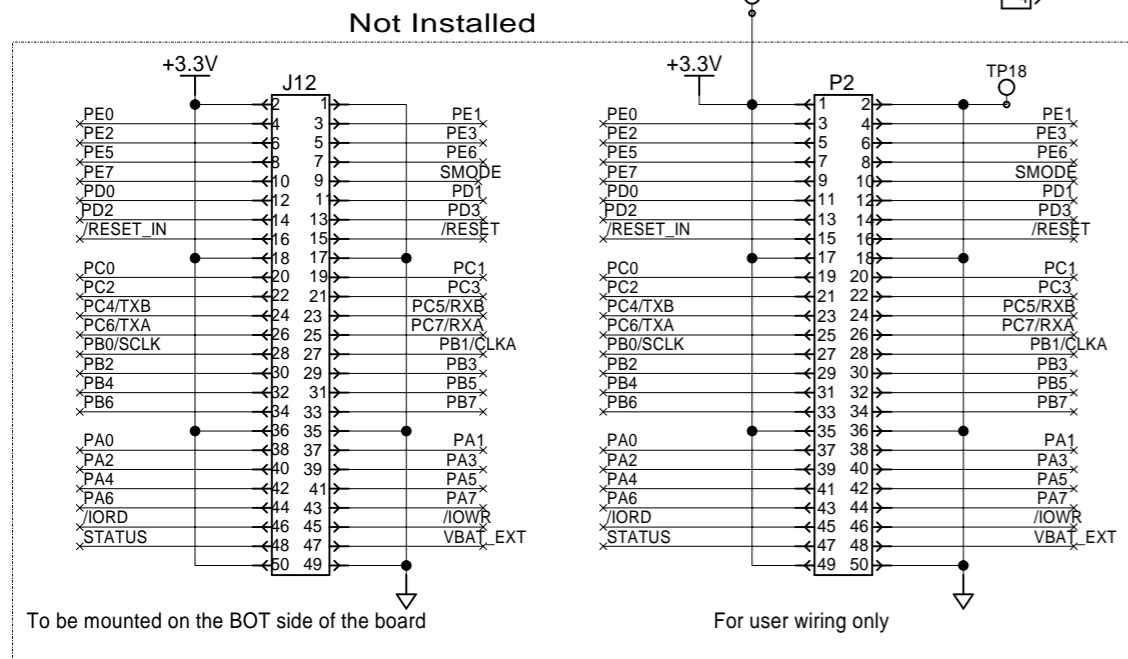


DIGITAL I/O - RCM56/57XX



To be mounted on the TOP side of the board



To be mounted on the BOT side of the board

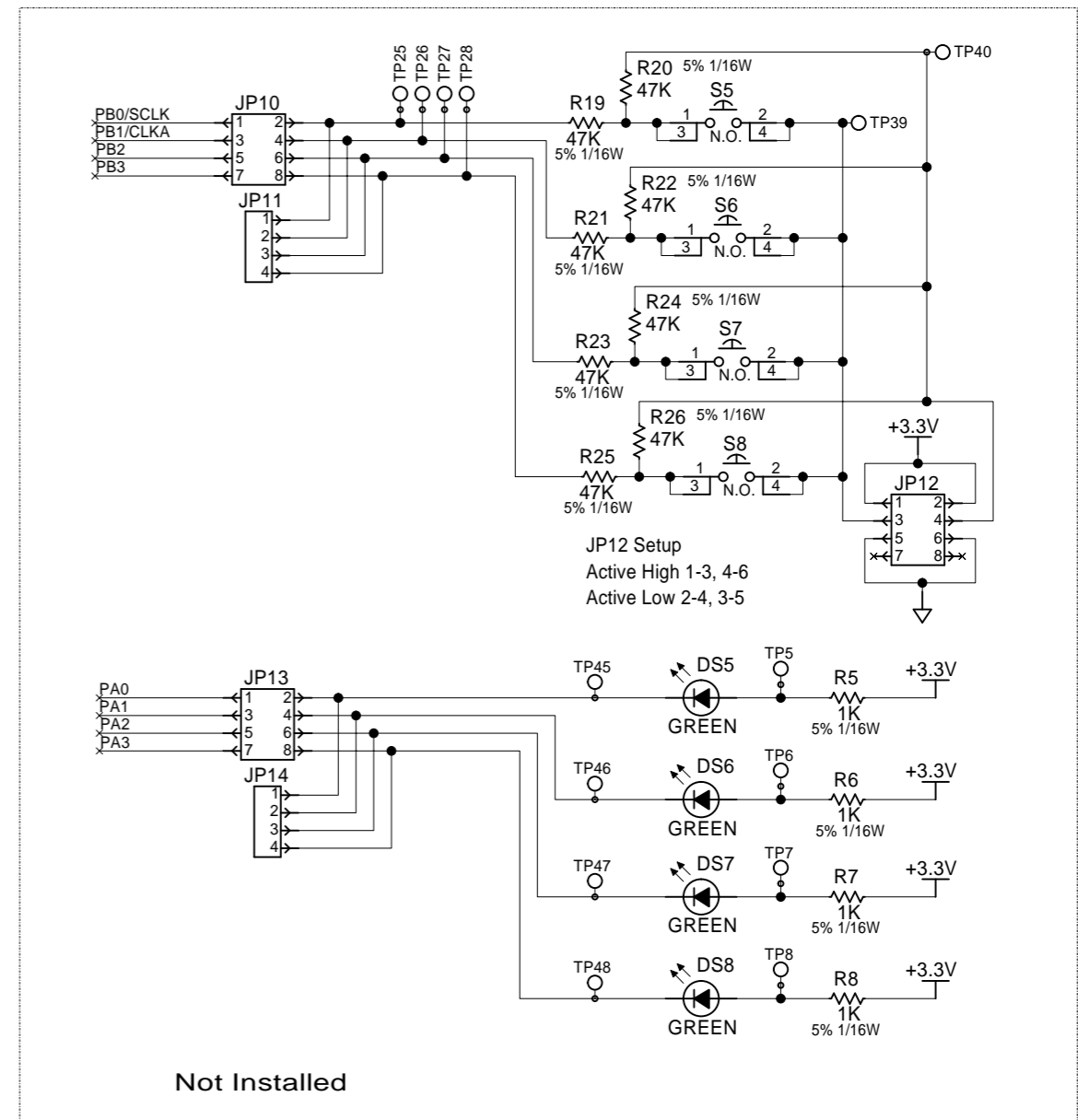
For user wiring only

NOTES: UNLESS OTHERWISE SPECIFIED;

1. ALL RESISTOR VALUES ARE IN OHMS, 1/16W, 1% UNLESS LABELED
2. THE ORIGATION SOURCE OF A VOLTAGE IS REPRESENTED BY (), AND ALL REFERENCES TO THAT VOLTAGE ARE REPRESENTED BY ().
3. COMPONENT VALUES SHOWN WITH AN ASTERISK (*) FOLLOWING THE VALUE OR DASHED BOX, MAY HAVE DIFFERENT VALUES, OR MAY NOT BE STUFFED.

VCC

REVISION HISTORY			REVISION APPROVAL			
REV	ECO	DESCRIPTION	PROJECT ENGINEER	APPROVAL DATE	DOCUMENT CONTROL	APPROVAL DATE
A		Pilot Run	L.Y.			

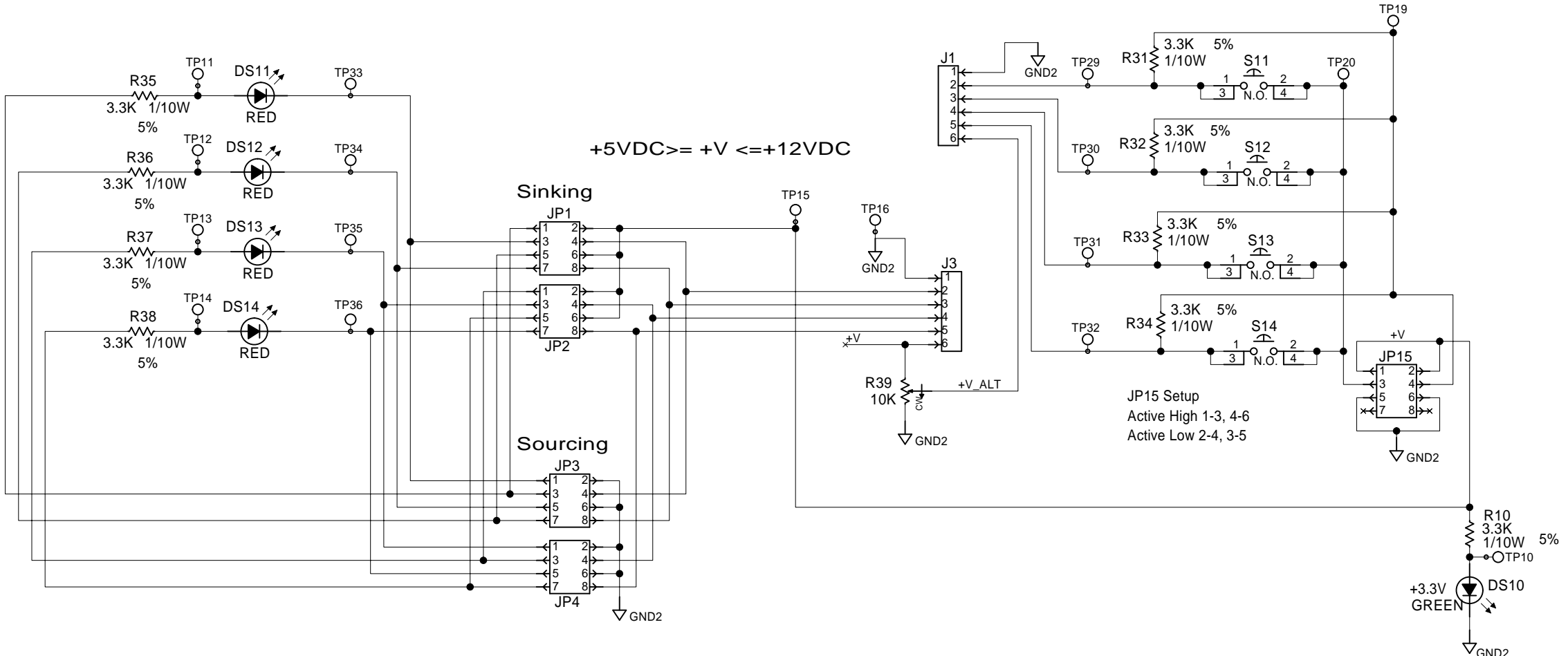


Not Installed

05-29-08 10:55PM

APPEND THE FOLLOWING DOCUMENTS WHEN CHANGING THIS DOCUMENT:		DRAWING CONTENT:		TITLE		RABBIT	
		DRAWN BY: (INITIAL RELEASE)		DIGITAL I/O - RCM56/57XX			www.rabbit.com
		REVISED BY:					
		APPROVALS: INITIAL RELEASE		SIZE	DWG NO.		
		PROJECT ENGINEER:		B	090- 0272		
		ENGINEERING MANAGER:					
		SIGNATURES	DATE	SCALE	RELEASE DATE	SHEET 1 OF 2	

DEMO Board



Jumper Setup

LEDs	Sourcing	Sinking
DS11(LED1)	JP3(1-2,3-4)	JP1(1-2,3-4)
DS12(LED2)	JP3(5-6,7-8)	JP1(5-6,7-8)
DS13(LED3)	JP4(1-2,3-4)	JP2(1-2,3-4)
DS14(LED4)	JP4(5-6,7-8)	JP2(5-6,7-8)