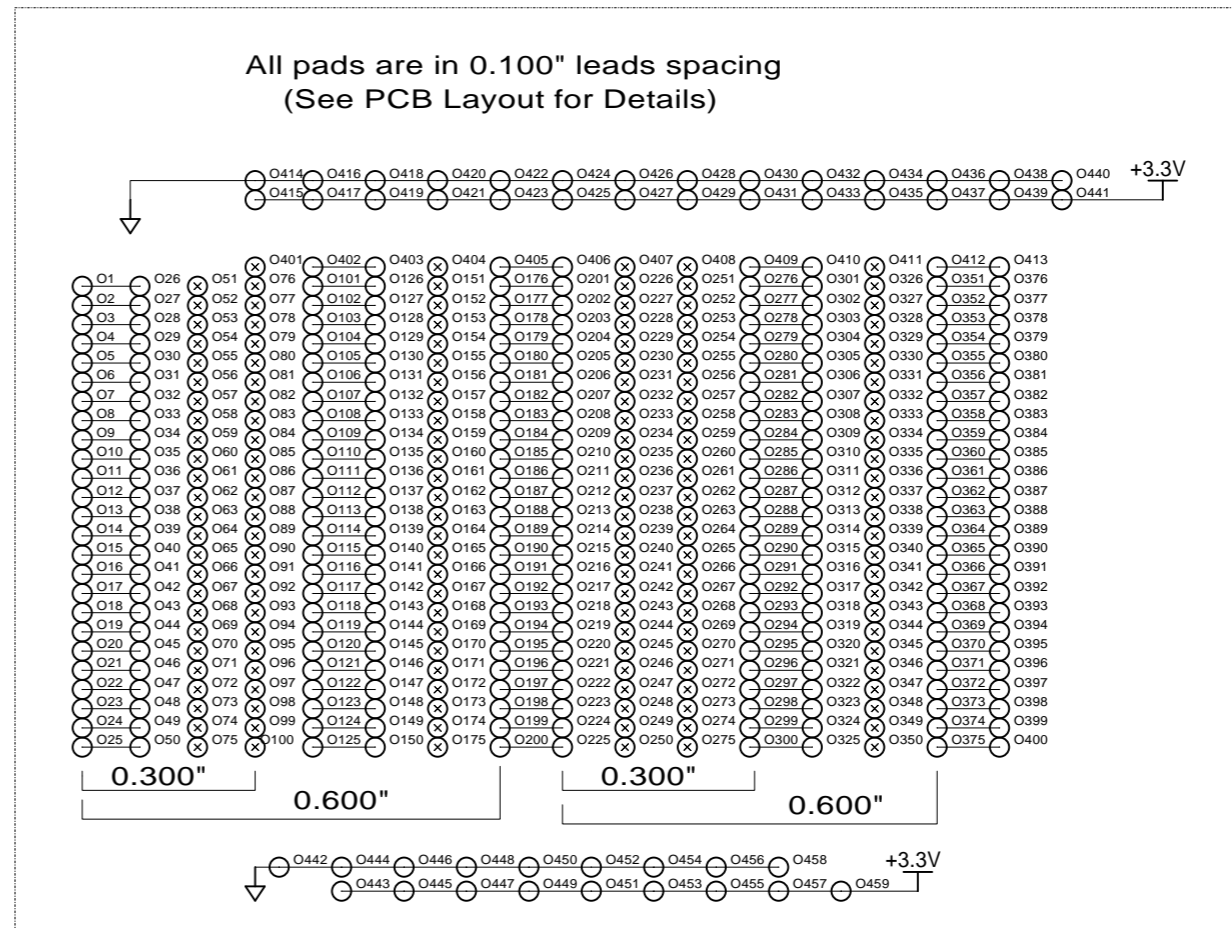
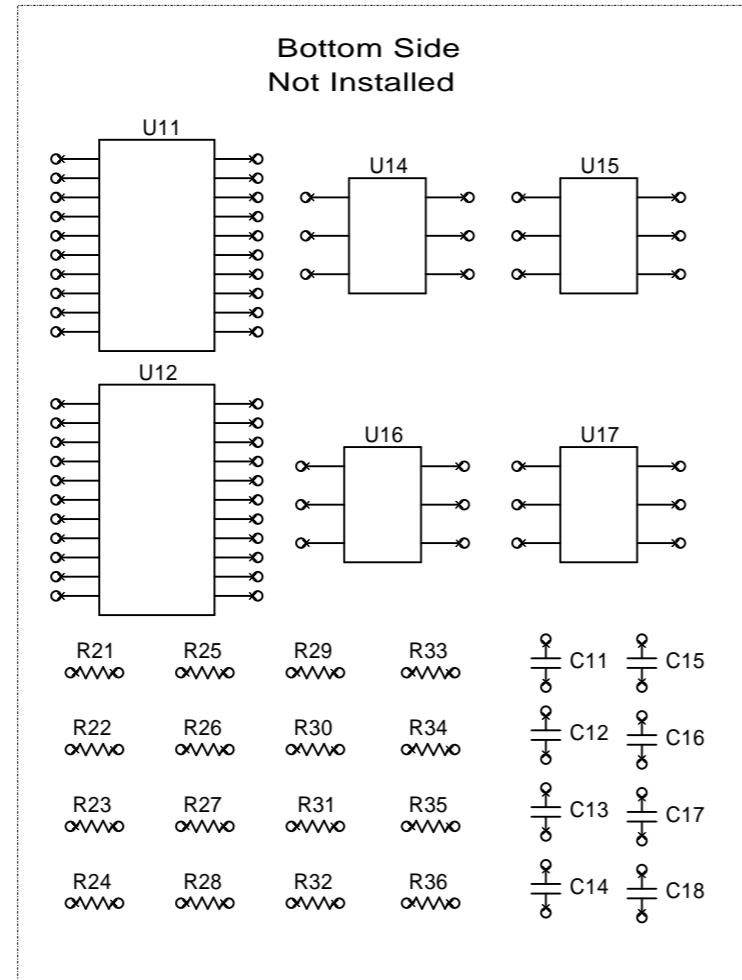
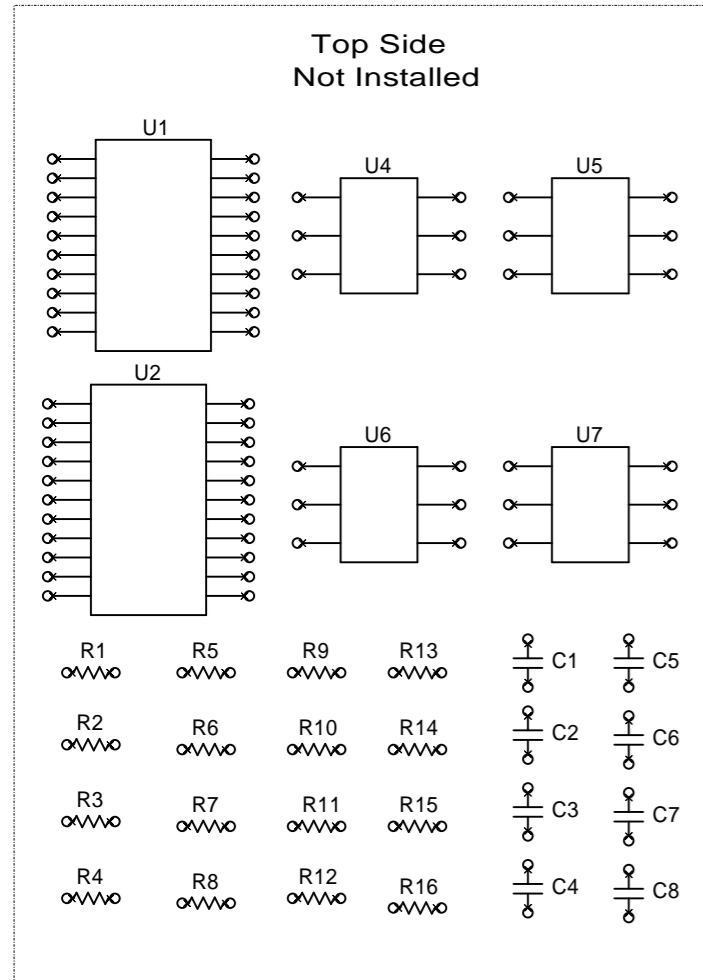


REVISION HISTORY			REVISION APPROVAL			
REV	ECO	DESCRIPTION	PROJECT ENGINEER	APPROVAL DATE	DOCUMENT CONTROL	APPROVAL DATE
A		Pilot run	LY			



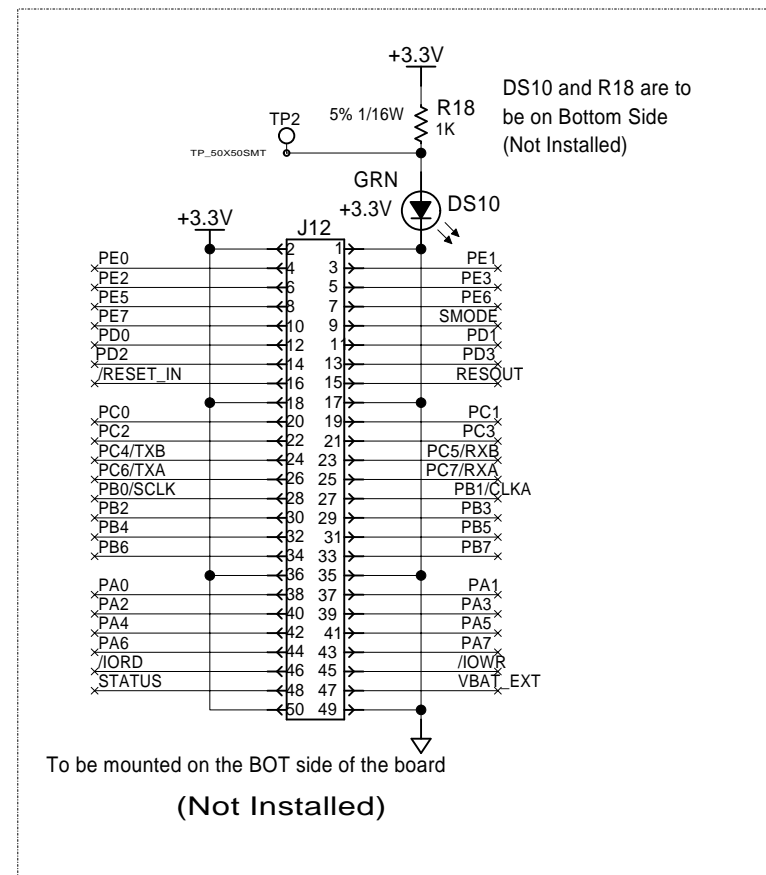
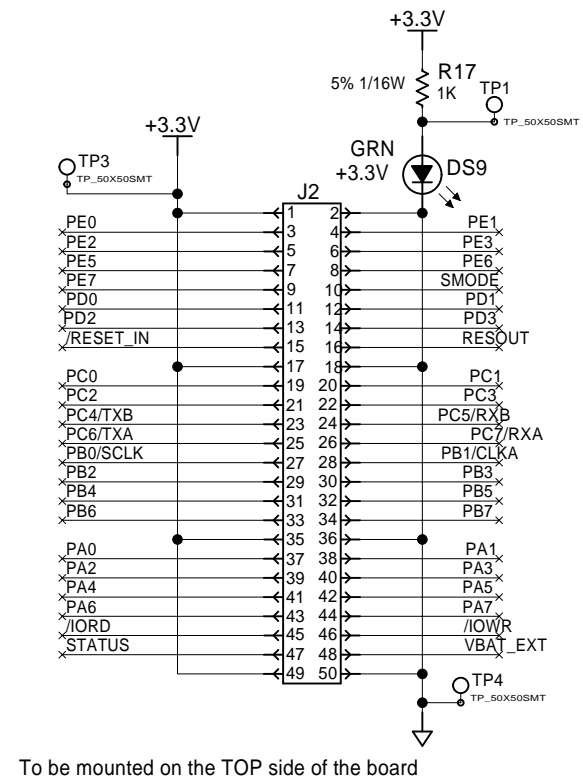
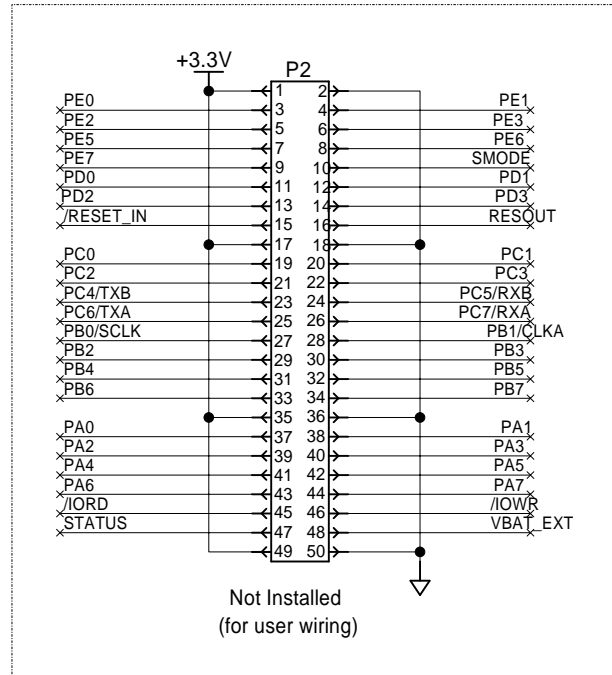
NOTES: UNLESS OTHERWISE SPECIFIED;

- ALL RESISTOR VALUES ARE IN OHMS, 1/16W, 1% UNLESS LABELED
- THE ORIGATION SOURCE OF A VOLTAGE IS REPRESENTED BY (), AND ALL REFERENCES TO THAT VOLTAGE ARE REPRESENTED BY ().
- COMPONENT VALUES SHOWN WITH AN ASTERISK (*) FOLLOWING THE VALUE OR DASHED BOX, MAY HAVE DIFFERENT VALUES, OR MAY NOT BE STUFFED.

VCC

05-27-08 6:20 PM

APPEND THE FOLLOWING DOCUMENTS WHEN CHANGING THIS DOCUMENT:		DRAWING CONTENT:		TITLE	
		DRAWN BY: (INITIAL RELEASE)		DEVELOPMENT BOARD - RCM56/57XX	
		L.Y.			
		REVISED BY:		www.rabbit.com	
		APPROVALS: INITIAL RELEASE		SIZE	DWG NO.
		PROJECT ENGINEER:		B	090- 0270
		L.Y.			
		ENGINEERING MANAGER:		SCALE	RELEASE DATE
		X.T.		NONE	
		SIGNATURES	DATE	SHEET 1 OF 2	



05-27-08 6:20 PM

SIZE	DWG NO.		
B	090- 0270		
SCALE	NONE	REV LTR	A
SHEET	2 OF 2		