


Modem Cables

EIA-232 Modem Cables Altpin RJ-45 8-pin to DB-9

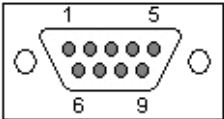
The wiring diagram for an altpin RJ-45 8-pin to DB-9 modem cable is shown in Table 1.

Table 1: EIA-232 altpin RJ-45 8-pin to DB-9 modem cable

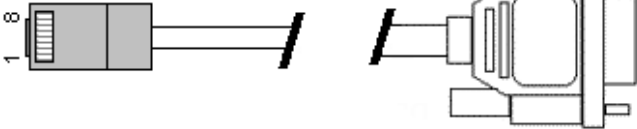
From RJ-45	Signal	Direction	Signal	To DB-9
1	DCD	←	DCD	1
5	RxD	←	RxD	2
4	TxD	→	TxD	3
8	DTR	→	DTR	4
6	SG	↔	SG	5
2	RTS	→	RTS	7
7	CTS	←	CTS	8
3	GND	↔	GND	Shell



FRONT:
RJ-45 8-Pin



Male DB-9



Connectors not to scale

* Arrows indicate which direction the signal is flowing

NOTES:

- Altpin should be turned on when using this cable.
- This cable utilizes the CTS signal of the modem for hardware flow control (RTS/CTS).