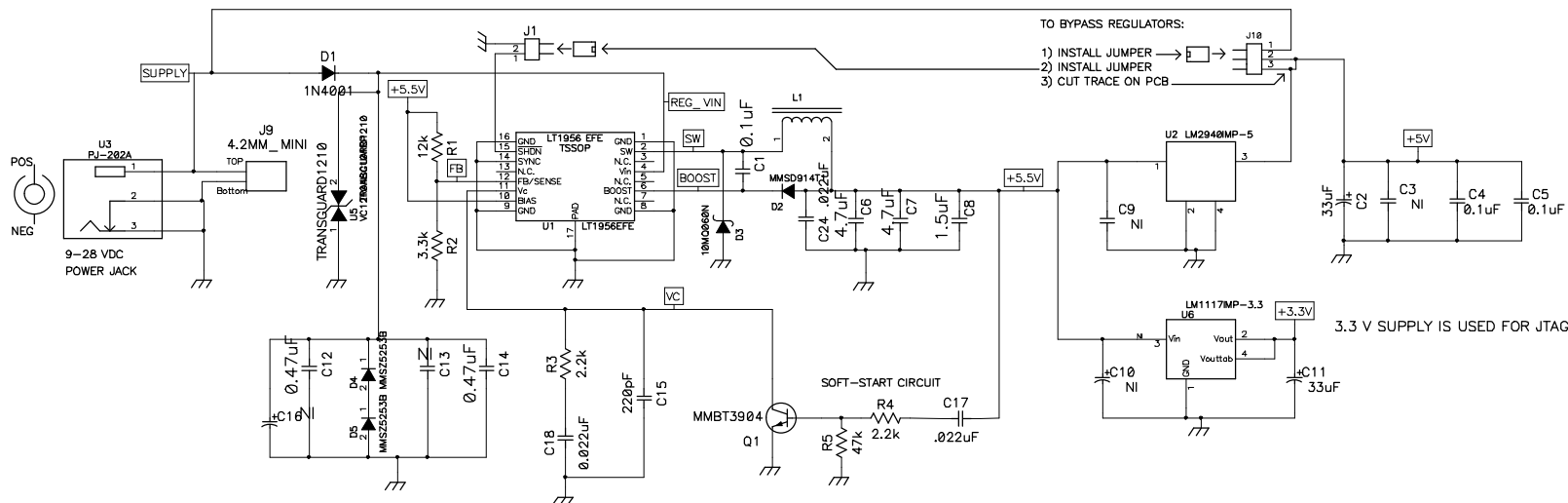
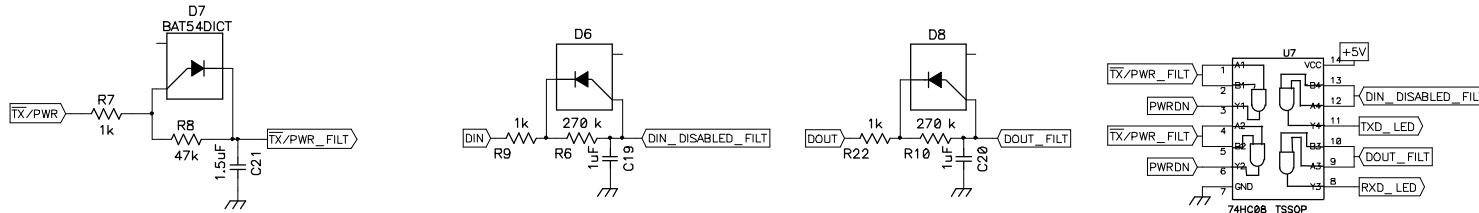


POWER SUPPLIES

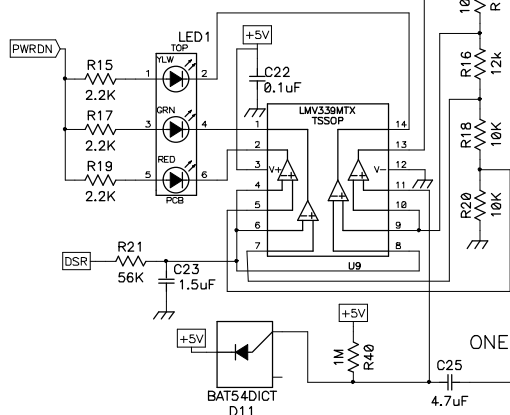


SIGNAL CONDITIONING

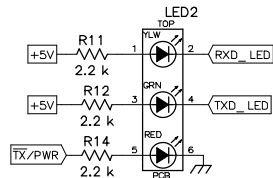


Document #1,000,576N

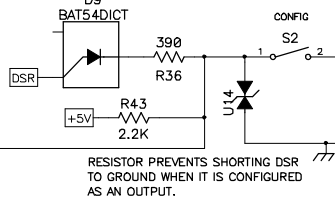
RESET\_MODULE



LED ARRAY



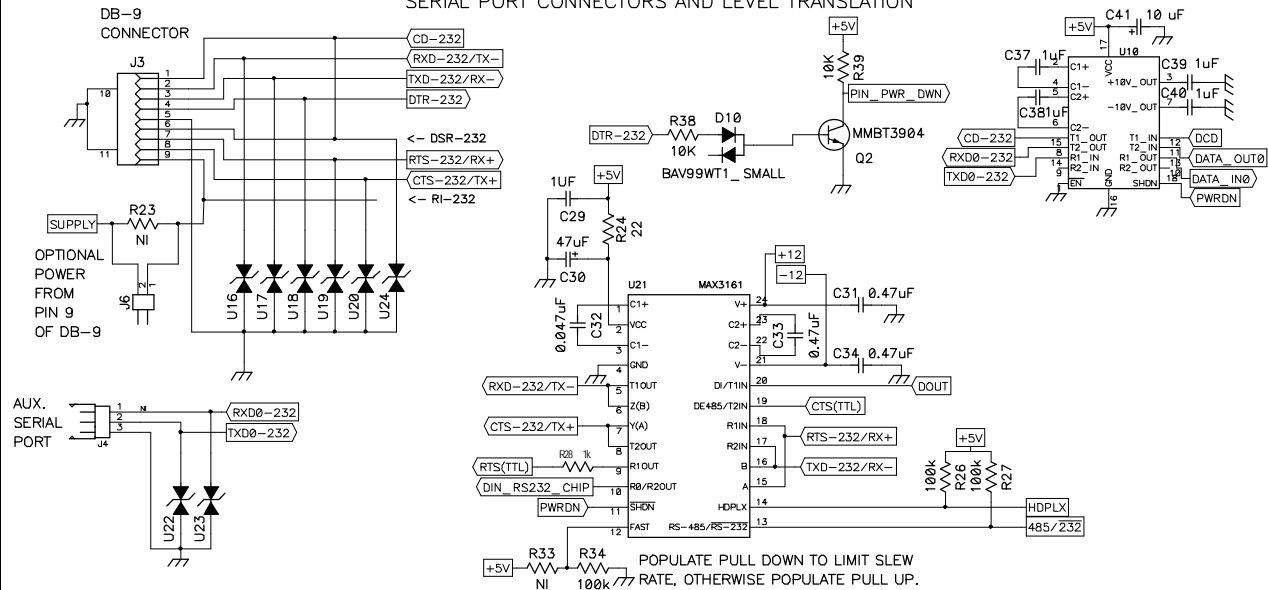
PUSH BUTTON



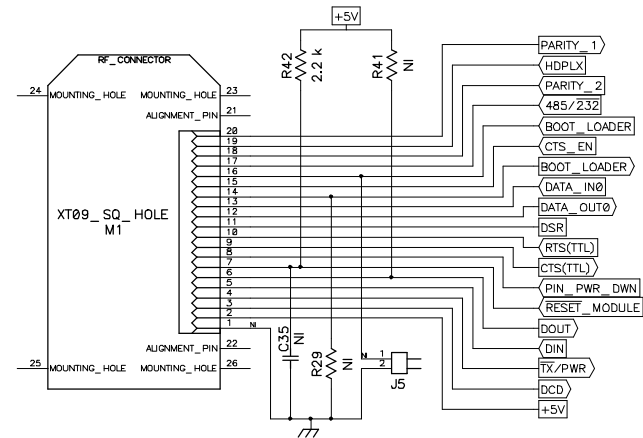
MISCELLANEOUS

<input type="checkbox"/> SO1	<input type="checkbox"/> PCB1	
<input type="checkbox"/> SO2	<input type="checkbox"/> M100438	
<input type="checkbox"/> SO3	<input type="checkbox"/> Notes Female	
<input type="checkbox"/> SO4	<input type="checkbox"/> U12	
	<input type="checkbox"/> Shorting Jumper	
	<input type="checkbox"/> U8	
Title 9XTEND INTERFACE BOARD		
Size C	Number MAXSTREAM XTIB-R	Rev 12A
Date Sept 18, 2006	Drawn by David Steed	
Filename XTIB-R_REV12A.sch	Sheet 1	of 2

SERIAL PORT CONNECTORS AND LEVEL TRANSLATION

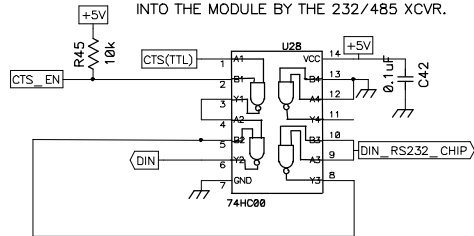


WIRELESS MODULE AND DEVELOPMENT HEADERS

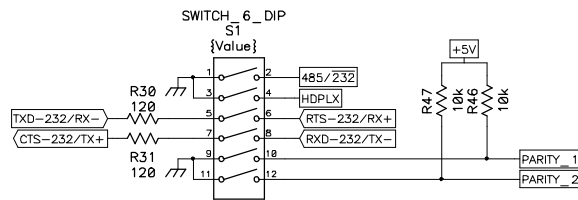


COMMAND AND CONTROL

PREVENTS DATA COMING OUT OF MODULE FROM GETTING LOOPED BACK INTO THE MODULE BY THE 232/485 XCVR.



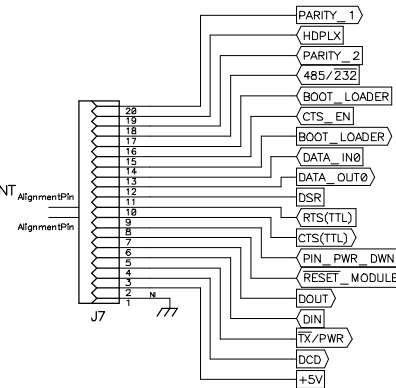
CONFIGURATION SWITCHES



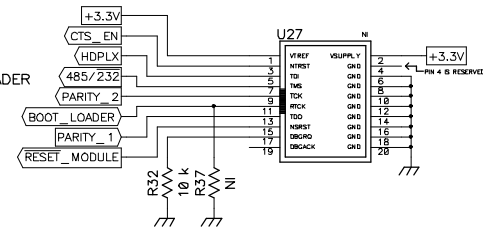
MEASUREMENT POINTS

- P12 ○ RTS(TTL)
- P13 ○ CTS(TTL)
- P14 ○ DCD
- P15 ○ RESET\_MODULE
- P16 ○ DSR
- P17 ○ TX/PWR
- P18 ○ PIN\_PWR\_DWN
- P1 ○ CD-232
- P2 ○ RXD-232/TX-
- P3 ○ TXD-232/RX-
- P4 ○ DTR-232
- P5 ○ RTS-232/RX+
- P6 ○ CTS-232/TX+
- P7 ○ PWRDN
- P8 ○ DOUT
- P9 ○ DIN
- P10 ○ +5V

DEVELOPMENT HEADER



JTAG HEADER



Title 9XTEND INTERFACE BOARD

Size C Number MAXSTREAM XTIB-R Rev 12A

Date Sept 18, 2006 Drawn by David Steed

Filename XTIB-R\_REV12A.sch Sheet 2 of 2