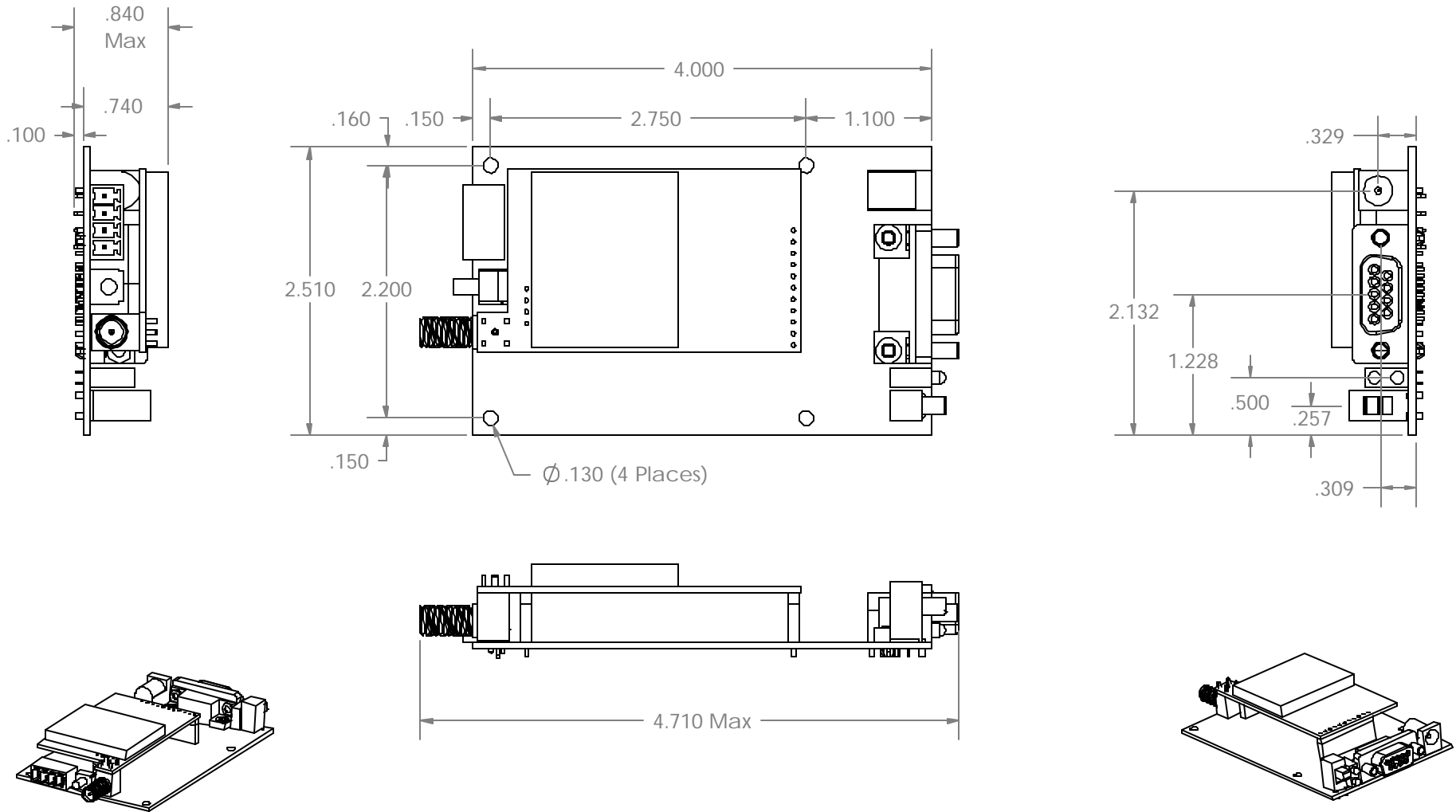


| ZONE | REV. | REVISIONS | DATE | APPROVED |
|------|------|-------------------------|----------|----------|
| | 1 | Initial Drawing Release | 7-DEC-02 | |
| | | | | |
| | | | | |
| | | | | |

2



PROPRIETARY AND CONFIDENTIAL
 THE INFORMATION CONTAINED IN THIS DRAWING IS THE SOLE PROPERTY OF MaxStream. ANY REPRODUCTION IN PART OR AS A WHOLE WITHOUT THE WRITTEN PERMISSION OF MaxStream IS PROHIBITED.

| | | | | |
|-------------|---------|--|-----------|-----------|
| | | DIMENSIONS ARE IN INCHES TOLERANCES: FRACTIONAL $\pm 1/2^\circ$ ANGULAR: MACH \pm BEND $\pm 1^\circ$ TWO PLACE DECIMAL $\pm .01$ THREE PLACE DECIMAL $\pm .003$ | NAME | DATE |
| | | | | 07-DEC-02 |
| | | | CHECKED | |
| | | | ENG APPR. | |
| | | | MFG APPR. | |
| | | | Q.A. | |
| NEXT ASSY | USED ON | FINISH | | |
| APPLICATION | | | | |

MaxStream

**XStream™
 900 MHz and 2.4 GHZ
 Stand Alone Radio Modem**

| | | |
|------------------|---------------------------|------------------|
| SIZE A | DWG. NO. MD00__ | REV. 1 |
| SCALE: 3:4 | WEIGHT: __.oz (___g) | SHEET 1 OF 1 |