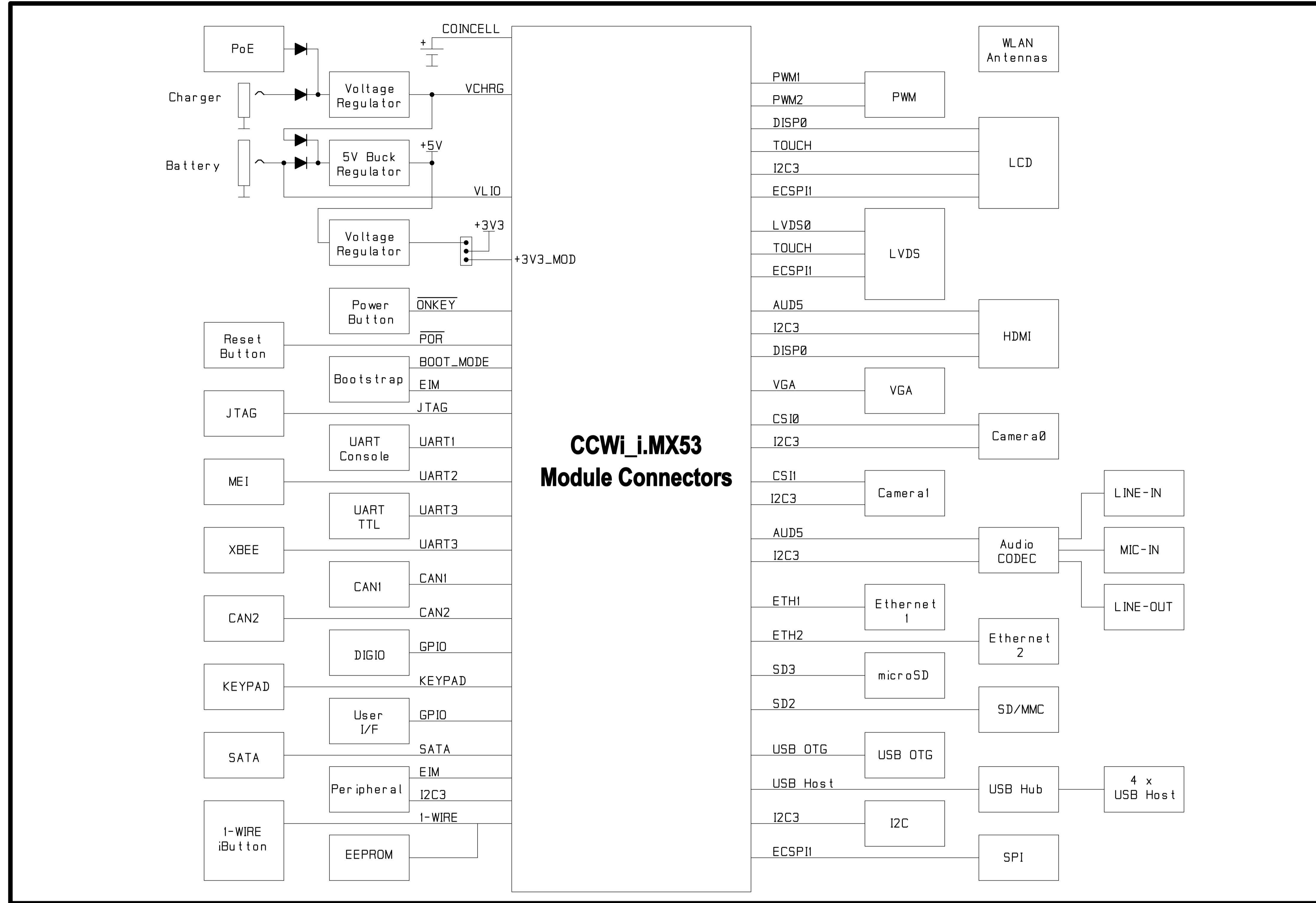



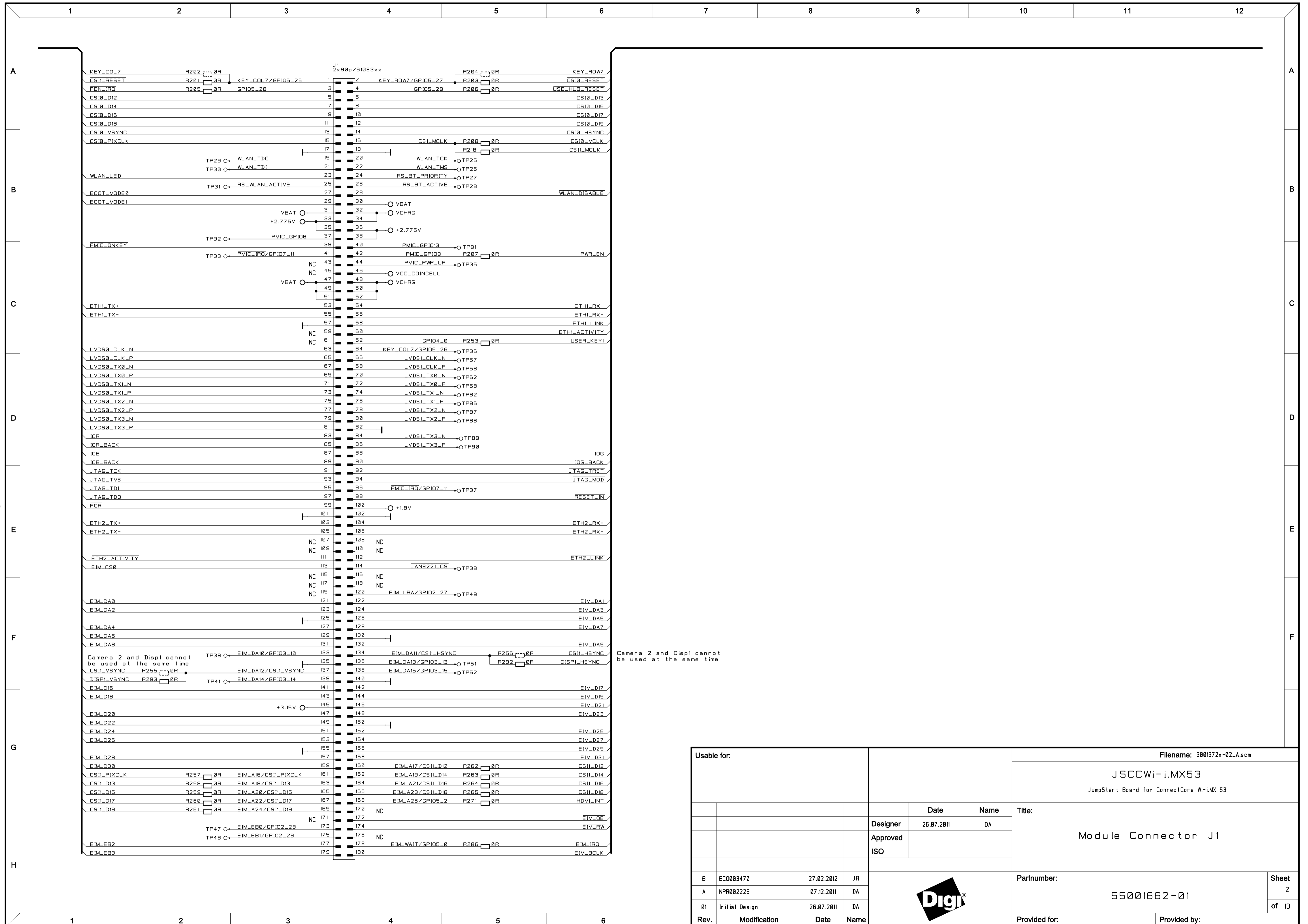
Usable for:				Filename: 3001372x-02_A.scm	
				JSCCW-i.MX53 JumpStart Board for ConnectCore Wi-i.MX 53	
				Date	Name
			Designer	26.07.2011	DA
			Approved		
			ISO		
B	ECC003470	27.02.2012	JR		
A	NPR002225	07.12.2011	DA		
01	Initial Design	26.07.2011	DA		
Rev.	Modification	Date	Name	Partnumber: 55001662-01	
Provided for:				Provided by:	

ConnectCore Wi-i.MX53 JumpStart board



All rights reserved © Digi International Inc.

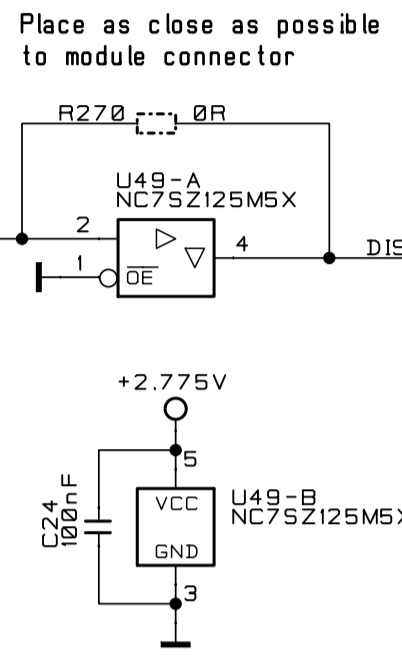
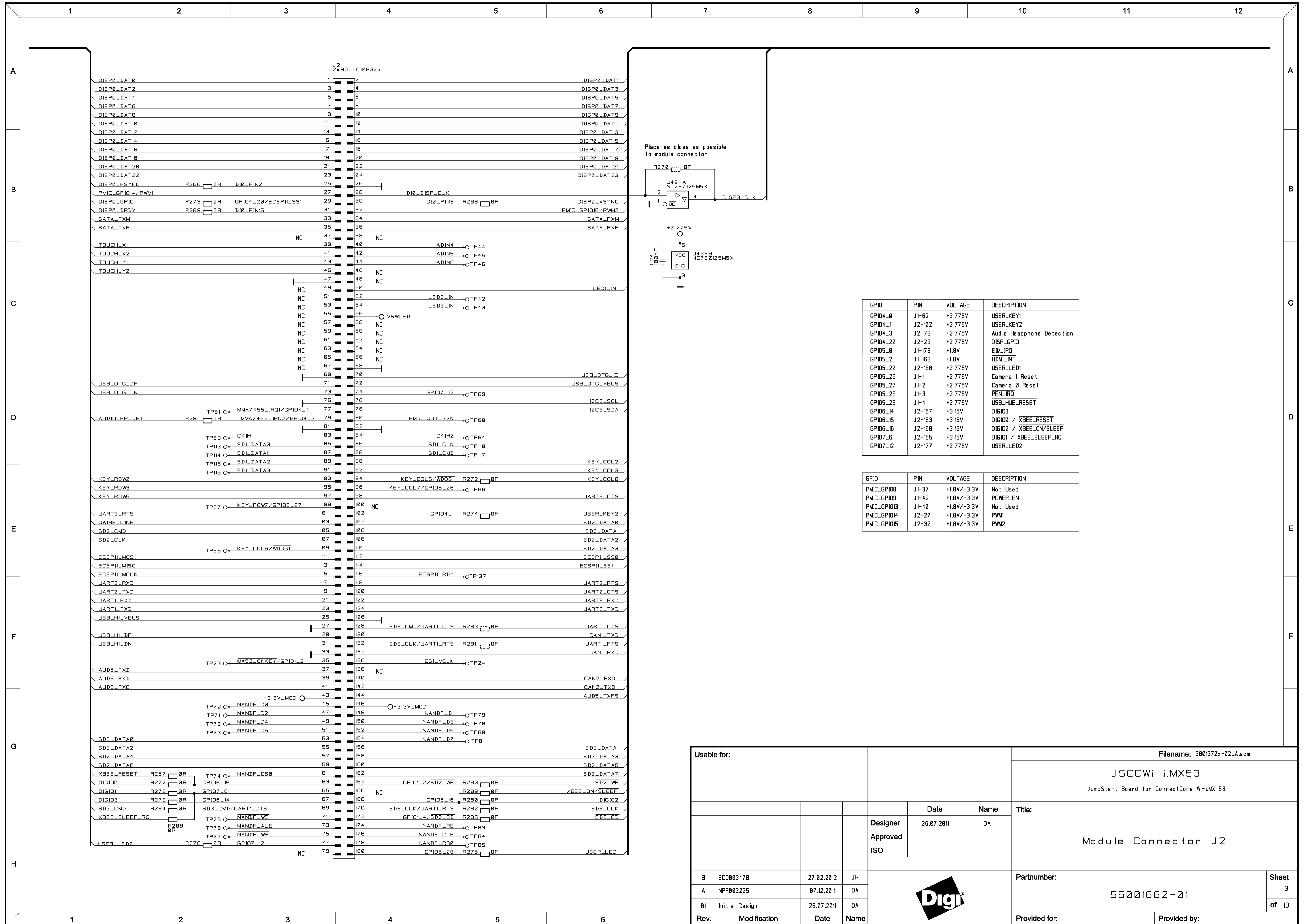
Usable for:				Filename: 3881372x-02_A.scm	
				JSCCWi-i.MX53 JumpStart Board for ConnectCore Wi-i.MX 53	
				Title: Block Diagram	
				Partnumber: 55001662-01	
				Sheet 1 of 13	
				Provided for: Provided by:	
Rev.	Modification	Date	Name		
B	ECO003470	27.02.2012	JR		
A	NPR002225	07.12.2011	DA		
01	Initial Design	26.07.2011	DA		



Camera 2 and Displ cannot be used at the same time

Usable for:				Filename: 3801372x-02_A.scm	
				J SCCWi-i.MX53	
				JumpStart Board for ConnectCore Wi-iMX 53	
				Title: Module Connector J1	
				Partnumber: 55001662-01	
				Sheet 2 of 13	
				Provided for: Provided by:	
Rev.	Modification	Date	Name		
B	ECO003470	27.02.2012	JR		
A	NPR002225	07.12.2011	DA		
01	Initial Design	26.07.2011	DA		





GPIO	PIN	VOLTAGE	DESCRIPTION
GPIO4_0	J1-62	+2.775V	USER_KEY1
GPIO4_1	J2-102	+2.775V	USER_KEY2
GPIO4_3	J2-79	+2.775V	Audio Headphone Detection
GPIO4_20	J2-29	+2.775V	DISP_GPIO
GPIO5_0	J1-178	+1.8V	EM_IRO
GPIO5_2	J1-168	+1.8V	HDMI_INT
GPIO5_20	J2-180	+2.775V	USER_LED1
GPIO5_26	J1-1	+2.775V	Camera 1 Reset
GPIO5_27	J1-2	+2.775V	Camera 0 Reset
GPIO5_28	J1-3	+2.775V	PEN_IRO
GPIO5_29	J1-4	+2.775V	USB_HUB_RESET
GPIO6_14	J2-167	+3.15V	DIGI03
GPIO6_15	J2-163	+3.15V	DIGI00 / XBEE_RESET
GPIO6_16	J2-168	+3.15V	DIGI02 / XBEE_ON/SLEEP
GPIO7_6	J2-165	+3.15V	DIGI01 / XBEE_SLEEP_RQ
GPIO7_12	J2-177	+2.775V	USER_LED2

GPIO	PIN	VOLTAGE	DESCRIPTION
PMIC_GPIO8	J1-37	+1.8V/+3.3V	Not Used
PMIC_GPIO9	J1-42	+1.8V/+3.3V	POWER_EN
PMIC_GPIO13	J1-40	+1.8V/+3.3V	Not Used
PMIC_GPIO14	J2-27	+1.8V/+3.3V	PWM1
PMIC_GPIO15	J2-32	+1.8V/+3.3V	PWM2

Usable for:

Filename: 3881372x-02_A.scm

J SCCWi-i.MX53
JumpStart Board for ConnectCore Wi-iMX 53

Rev.	Modification	Date	Name	Title:
B	ECO003470	27.02.2012	JR	Module Connector J2
A	NPR002225	07.12.2011	DA	
01	Initial Design	26.07.2011	DA	

Partnumber: 55001662-01

Sheet 3 of 13

Rev. Modification Date Name

ISO

Designer: 26.07.2011 DA

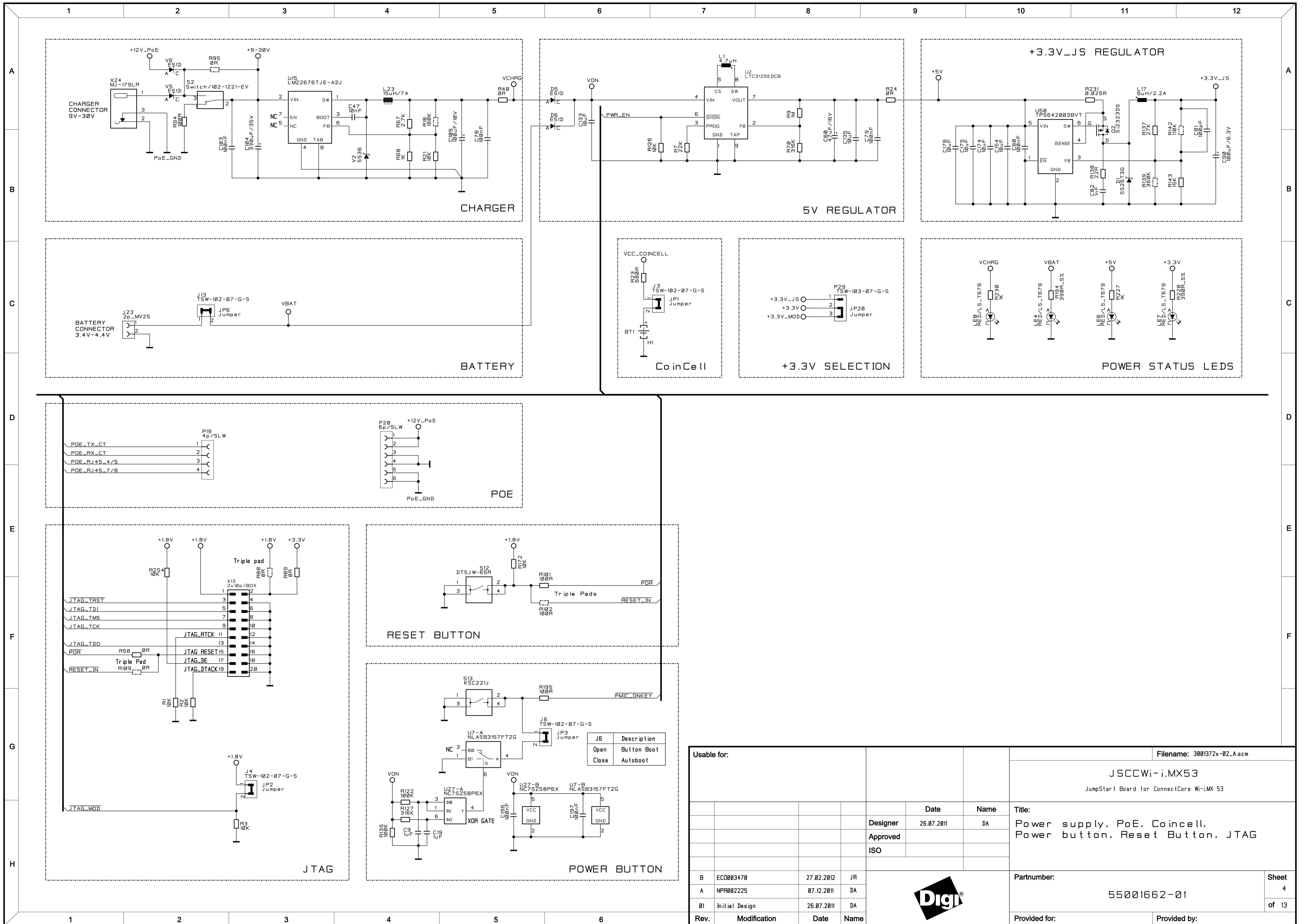
Approved

ISO

Partnumber: 55001662-01

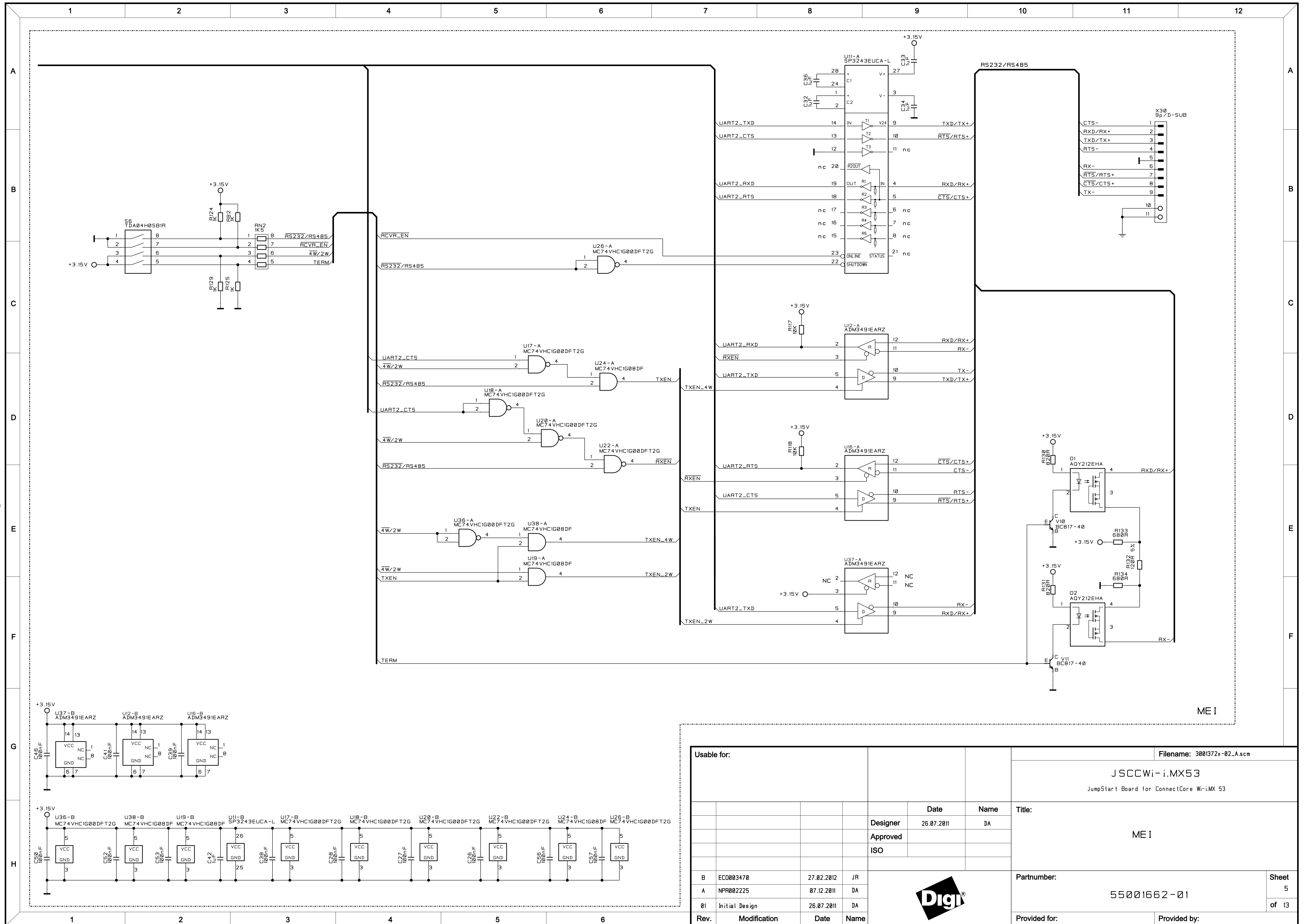
Sheet 3 of 13

Provided for: Provided by:



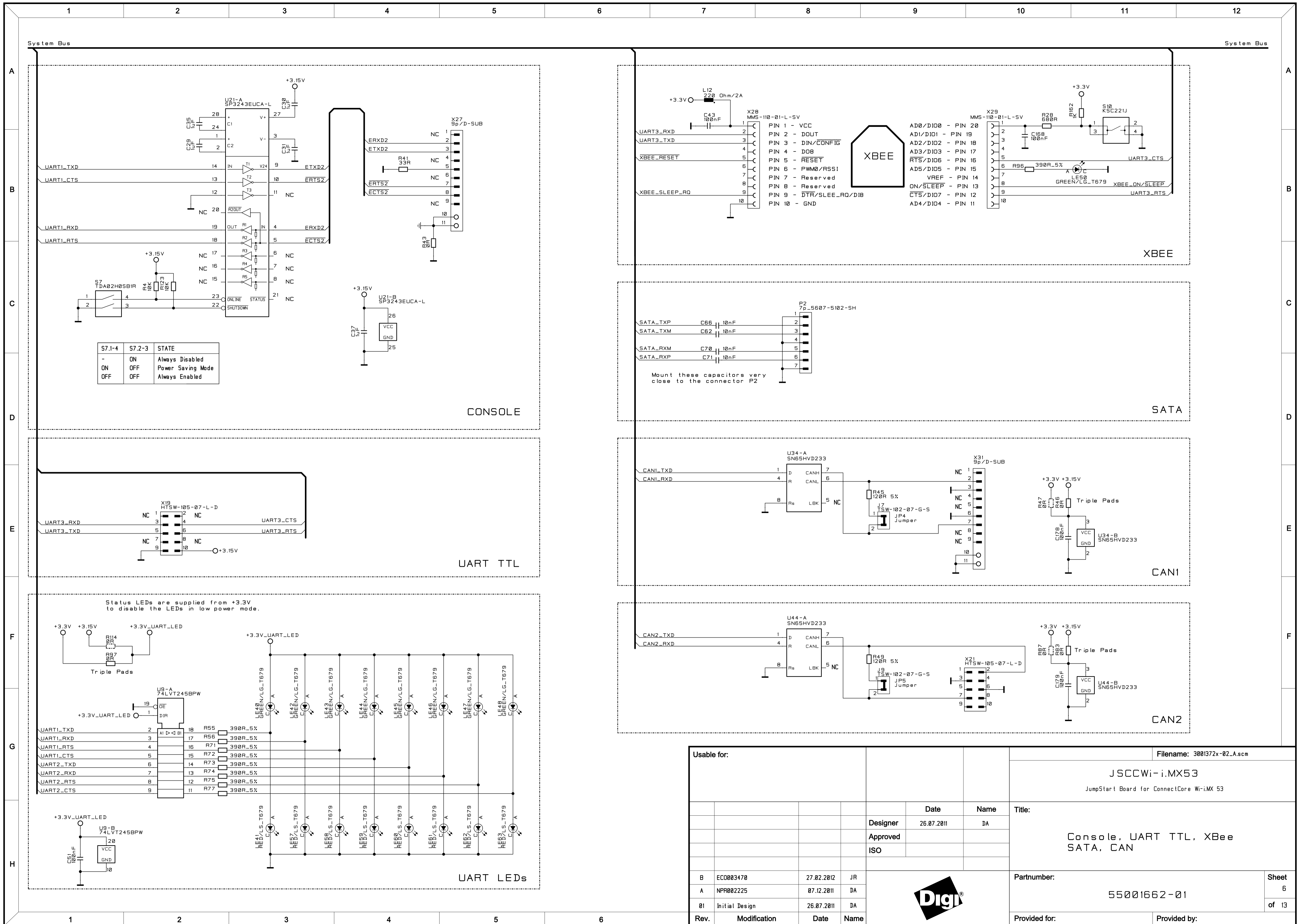
Usable for:				Filename: 3881372x-02_A.scm	
				JSCCW-i.MX53	
				JumpStart Board for ConnectCore Wi-iMX 53	
Date		Name		Title:	
26.07.2011		DA		Power supply, PoE, Coincell, Power button, Reset Button, JTAG	
Designer		Approved		ISO	
27.02.2012		07.12.2011		26.07.2011	
JR		DA		DA	
EC0003470		NPR002225		Initial Design	
Rev.		Modification		Date	
27.02.2012		07.12.2011		26.07.2011	
JR		DA		DA	
EC0003470		NPR002225		Initial Design	
Partnumber:		55001662-01		Sheet 4 of 13	
Provided for:		Provided by:			





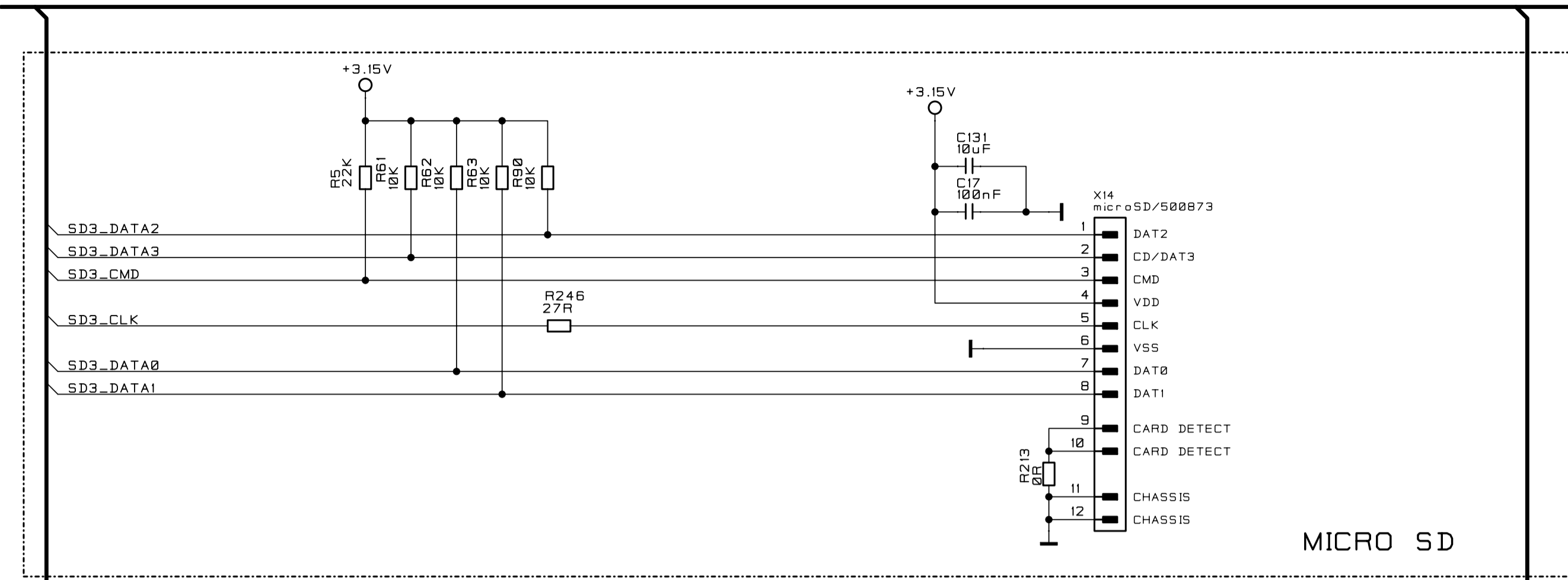
ME1

Usable for:				Filename: 3881372x-02_A.scm	
				JSCCWi-i.MX53 JumpStart Board for ConnectCore Wi-iMX 53	
		Date	Name	Title:	
		26.07.2011	DA	ME1	
		Designer			
		Approved			
		ISO			
				Partnumber:	
				55001662-01	
				Sheet	
				5	
				of 13	
Rev.	Modification	Date	Name	Provided for:	
B	EC0003470	27.02.2012	JR		
A	NPR002225	07.12.2011	DA		
01	Initial Design	26.07.2011	DA		
				Provided by:	

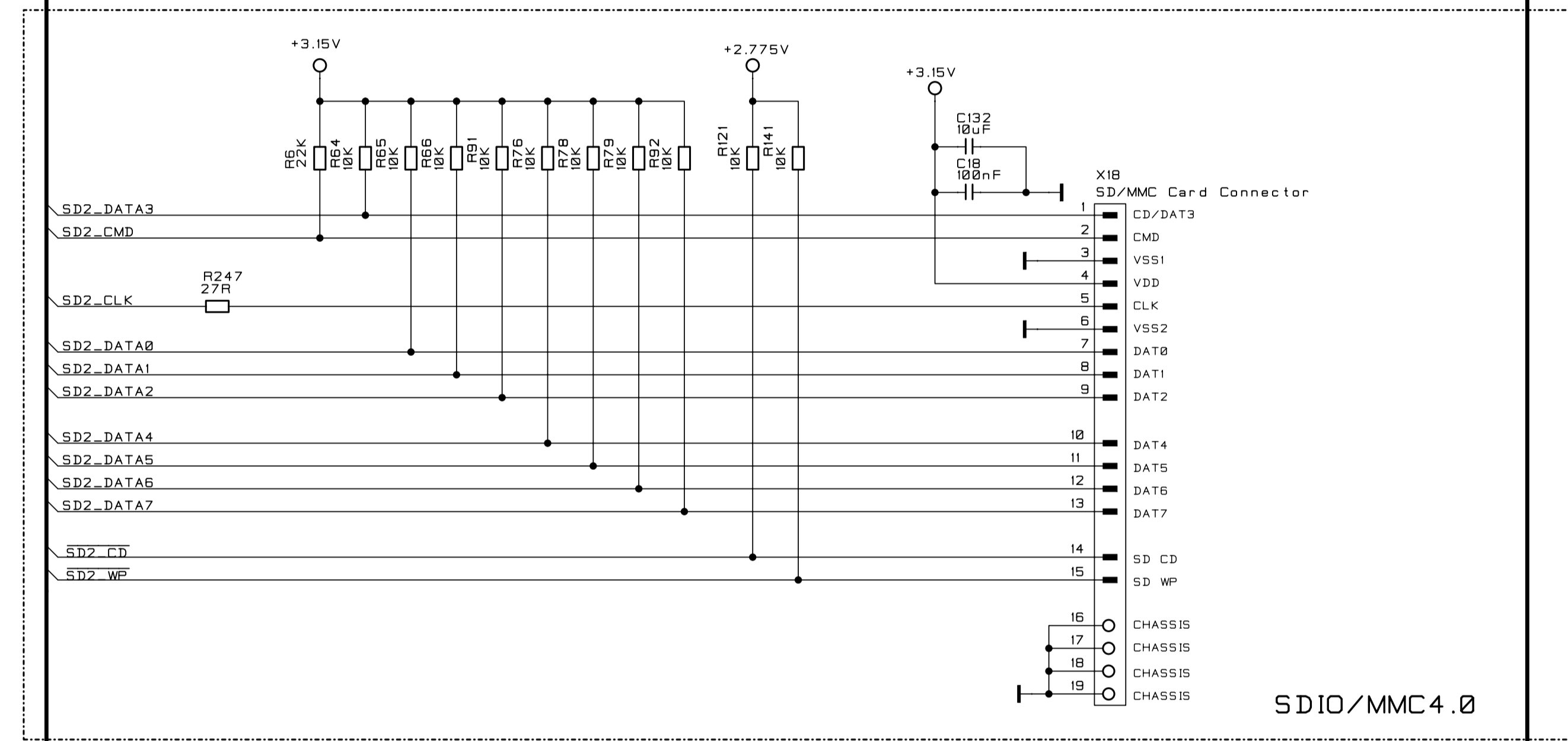


Usable for:				Filename: 3801372x-02_A.scm	
				JSCCW-i.MX53	
				JumpStart Board for ConnectCore Wi-iMX 53	
		Date	Name	Title:	
		26.07.2011	DA	Console, UART TTL, Xbee	
		Approved		SATA, CAN	
		ISO			
B	ECO003470	27.02.2012	JR	Partnumber:	Sheet
A	NPR002225	07.12.2011	DA	55001662-01	6
01	Initial Design	26.07.2011	DA		of 13
Rev.	Modification	Date	Name	Provided for:	Provided by:

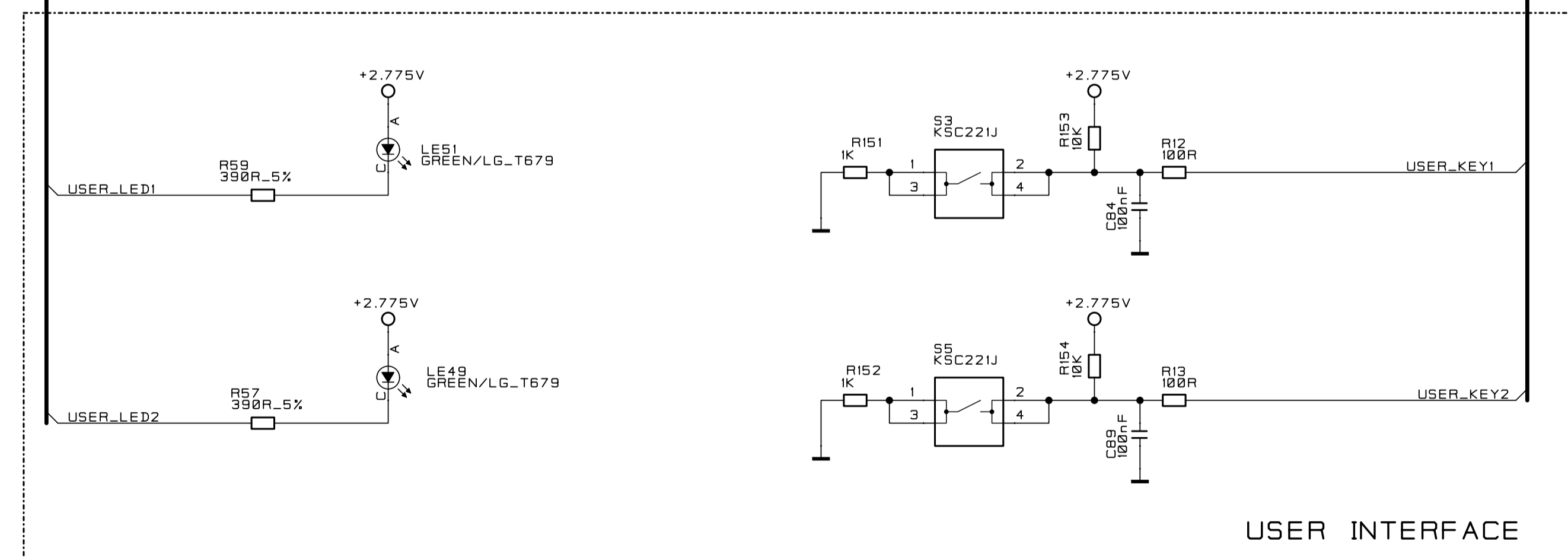




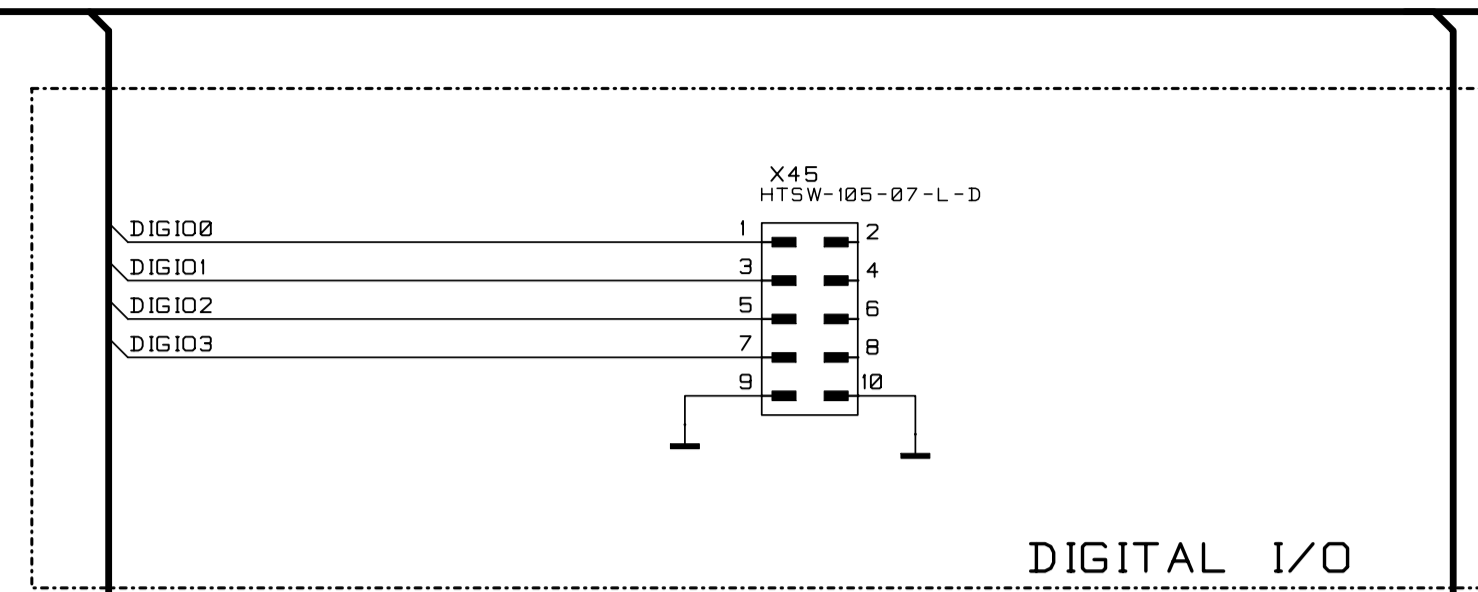
MICRO SD



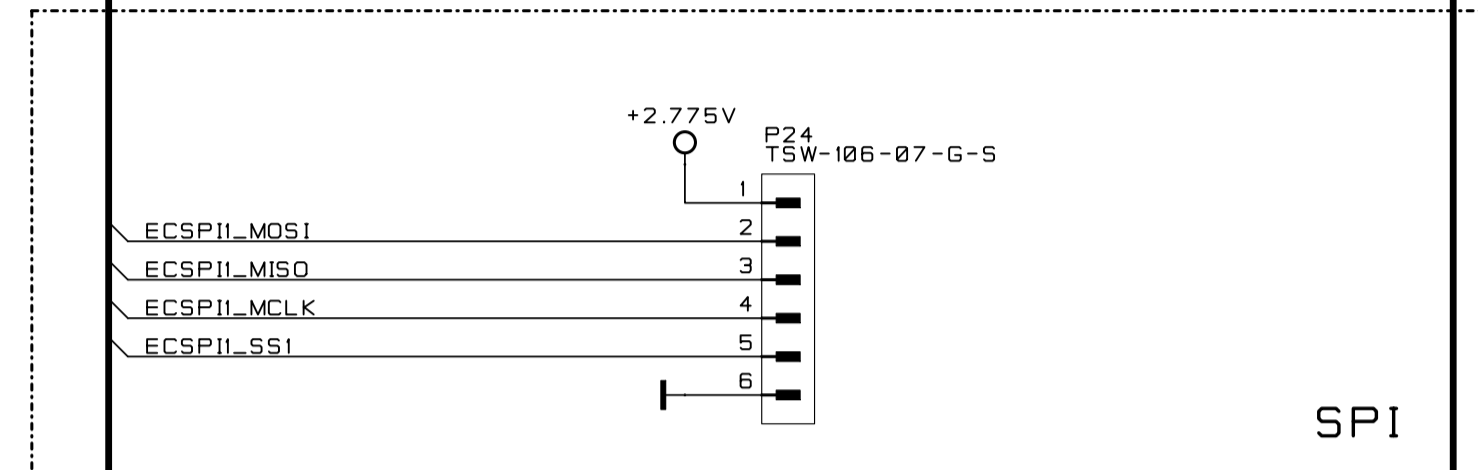
SDIO/MMC4.0



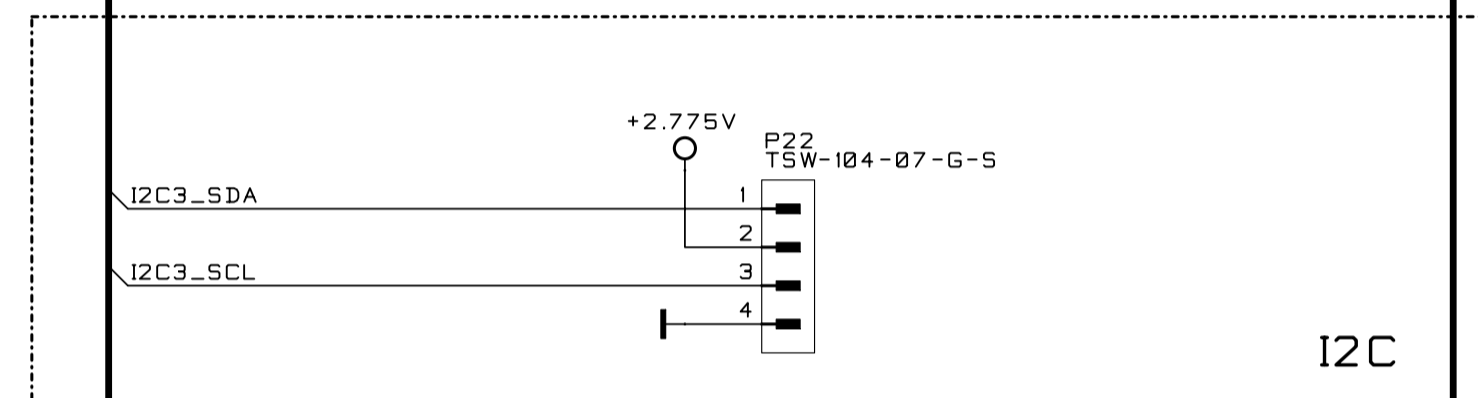
USER INTERFACE



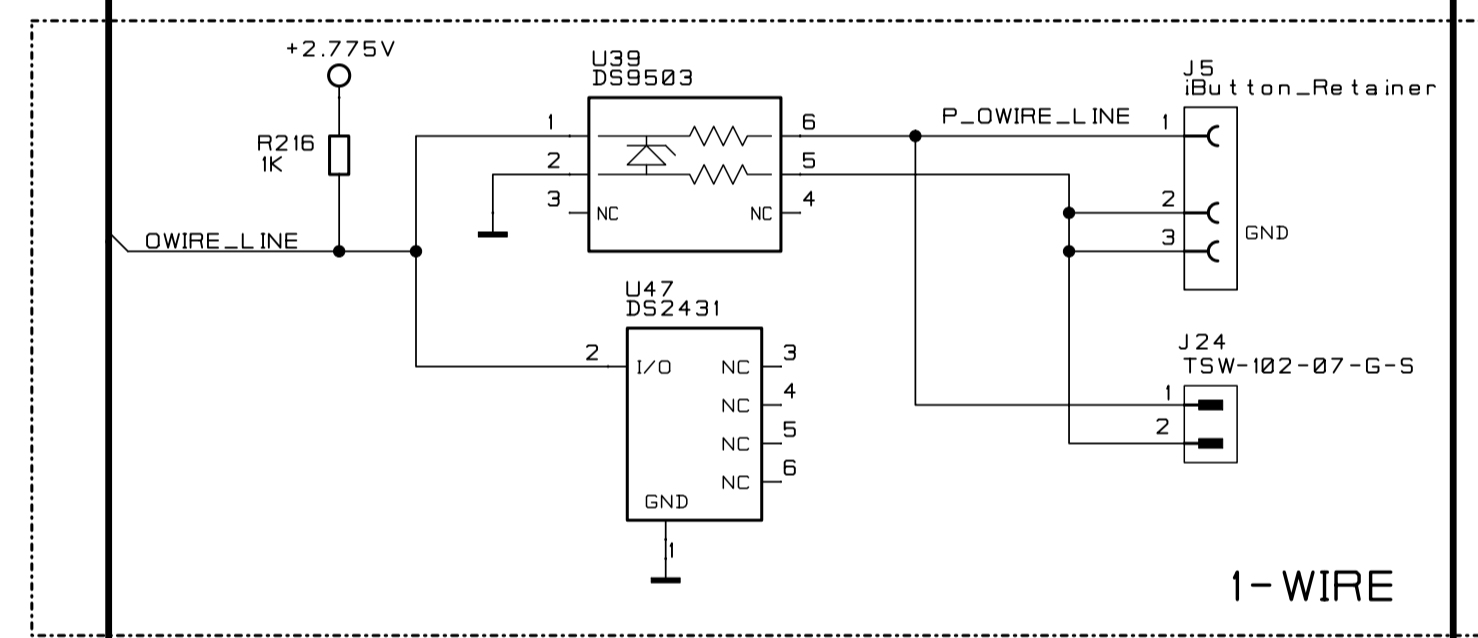
DIGITAL I/O



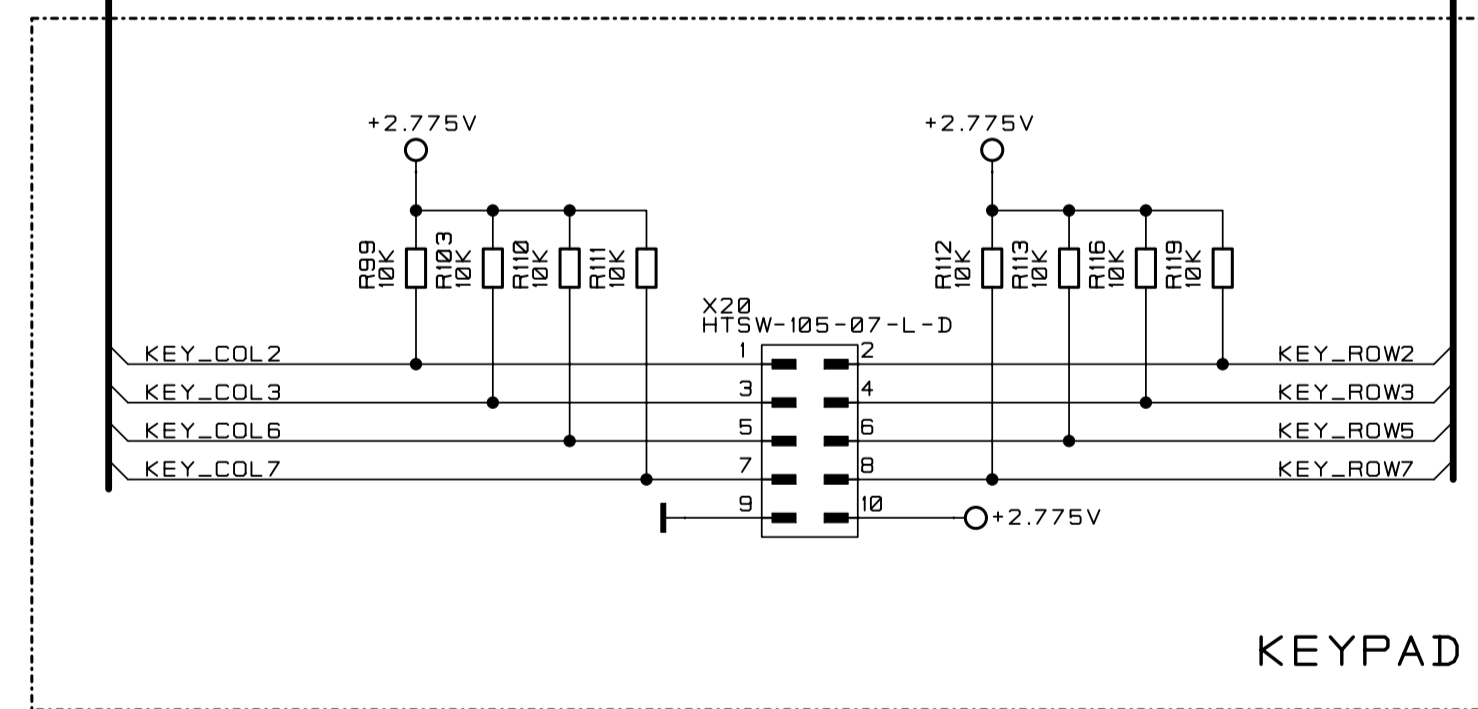
SPI



I2C



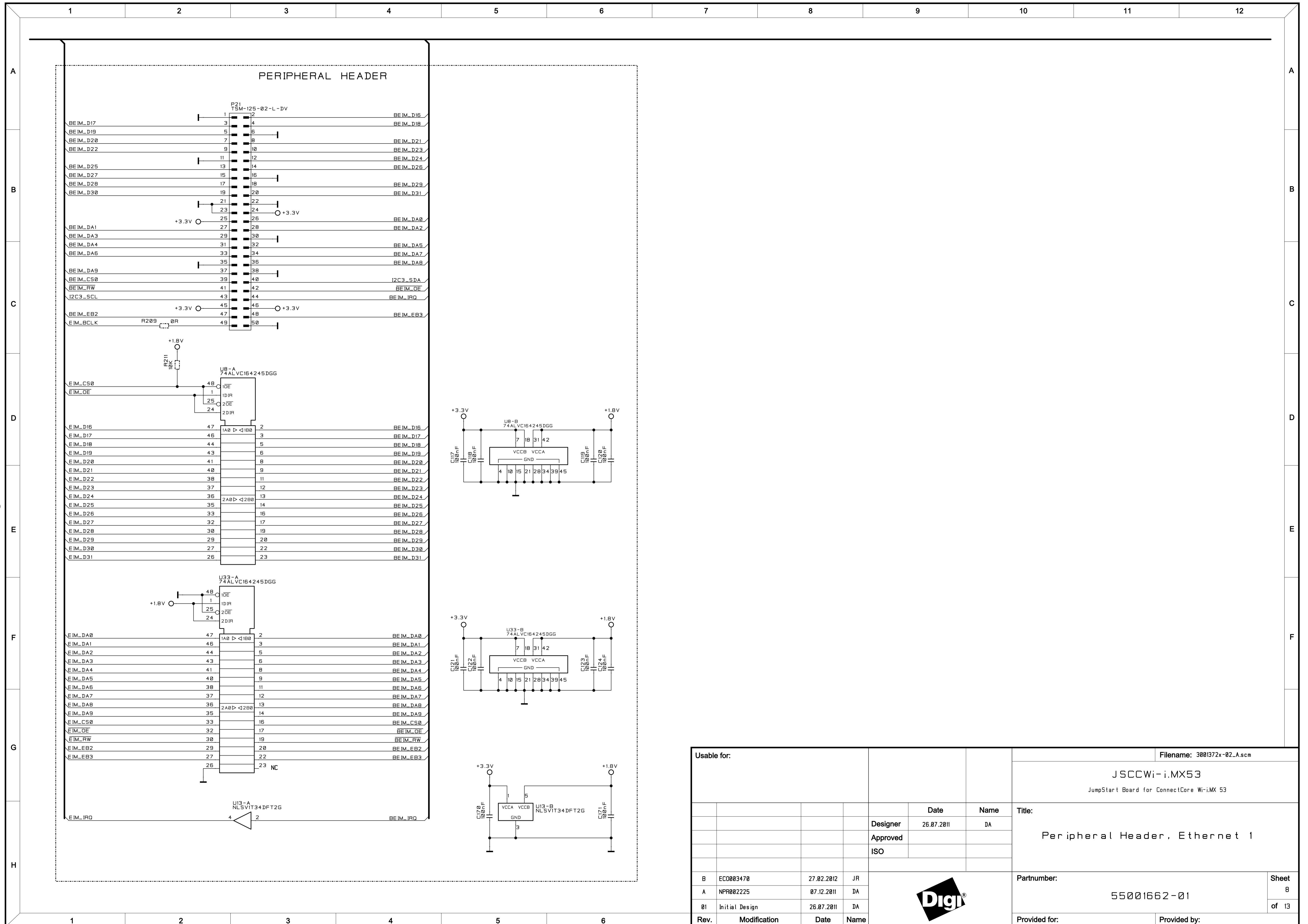
1-WIRE




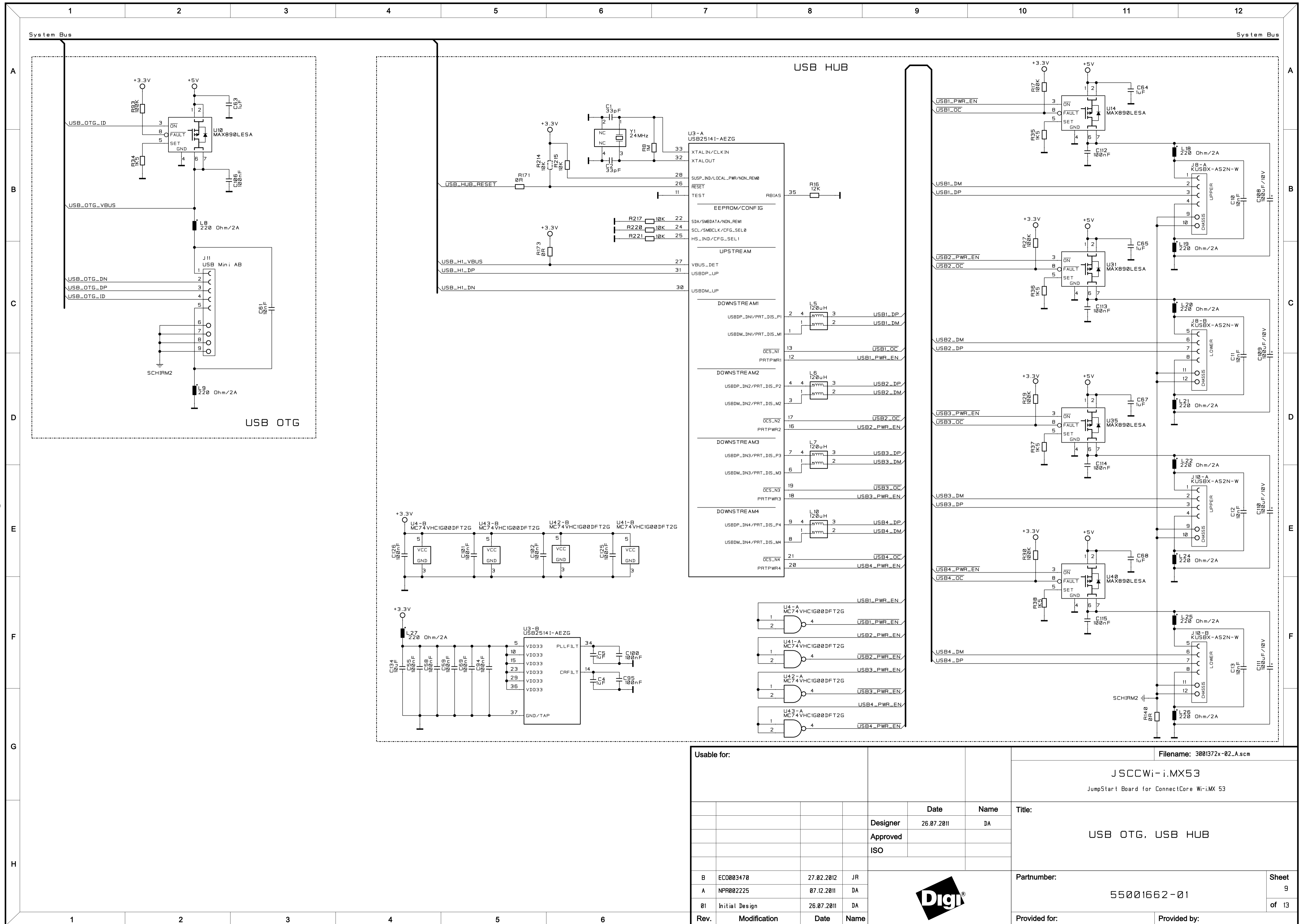
KEYPAD


Usable for:				Filename: 3801372x-02_A.scm	
				JSCCW-i.MX53 JumpStart Board for ConnectCore Wi-iMX 53	
		Date	Name	Title:	
		26.07.2011	DA	SD/MMC, MICRO-SD, SPI, I2C, DIGITAL I/O	
		Approved			
		ISO			
Rev.	Modification	Date	Name	Partnumber:	
B	ECO003470	27.02.2012	JR	55001662-01	
A	NPR002225	07.12.2011	DA	Sheet	
01	Initial Design	26.07.2011	DA	7	
				of 13	
				Provided for:	Provided by:

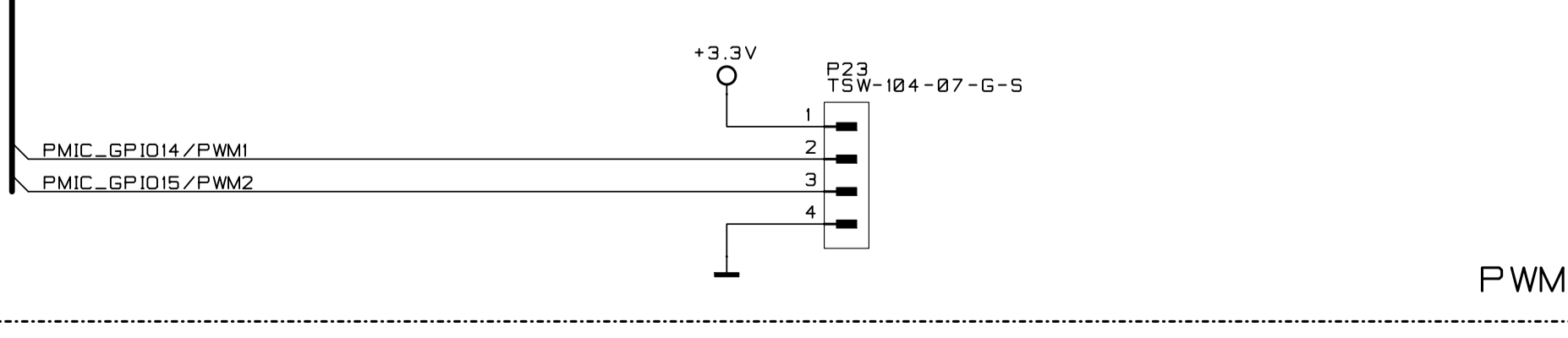
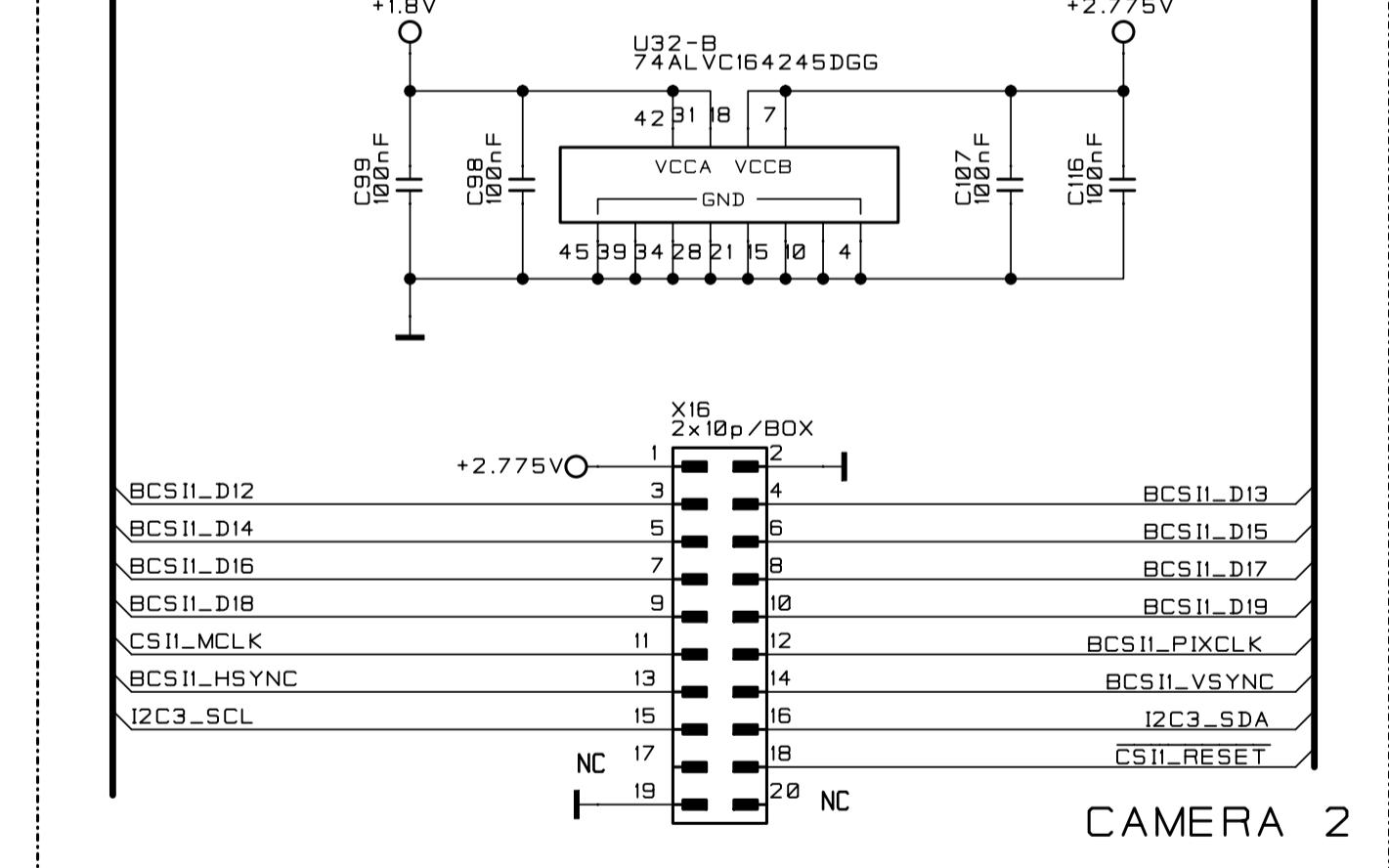
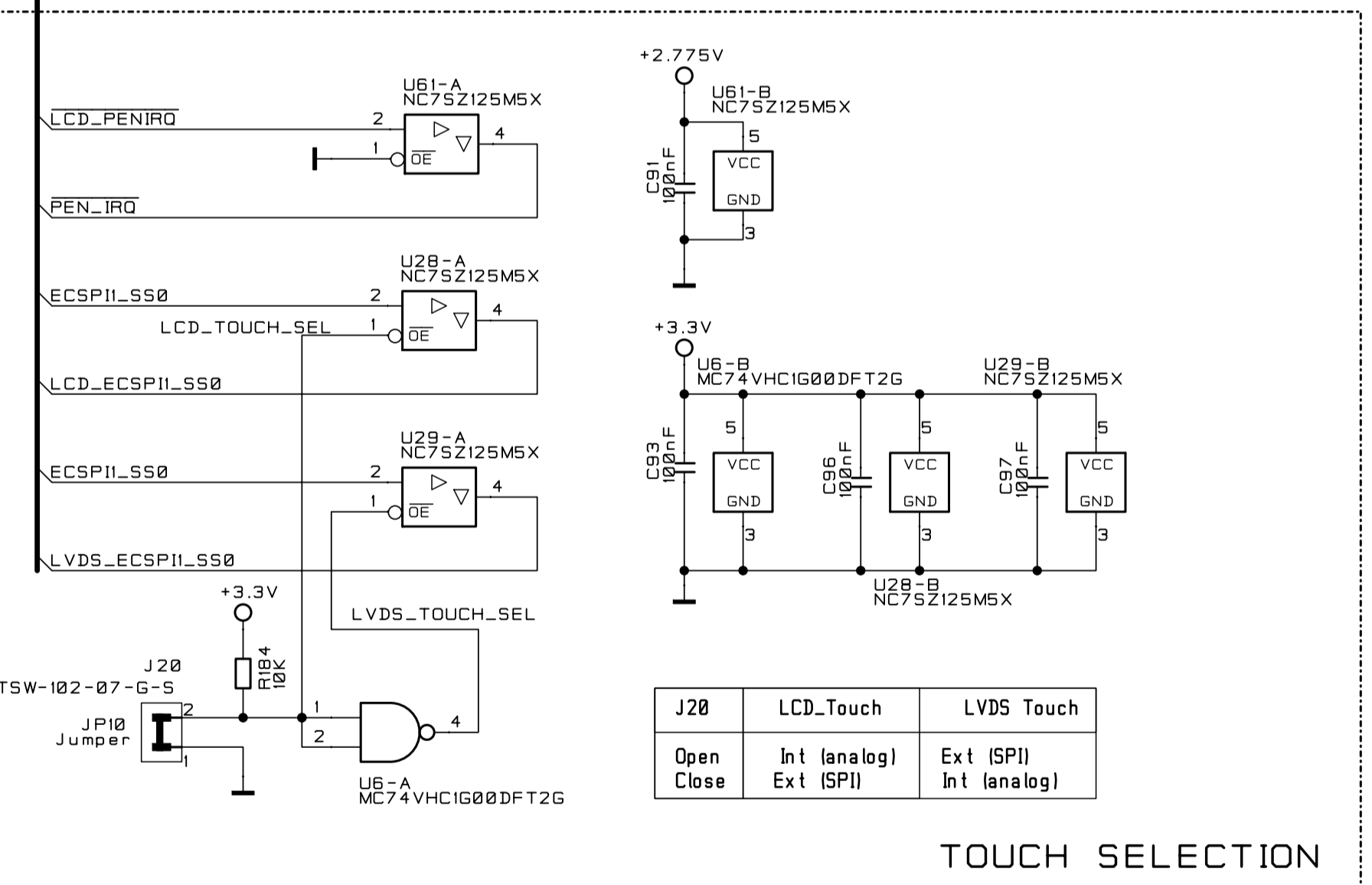
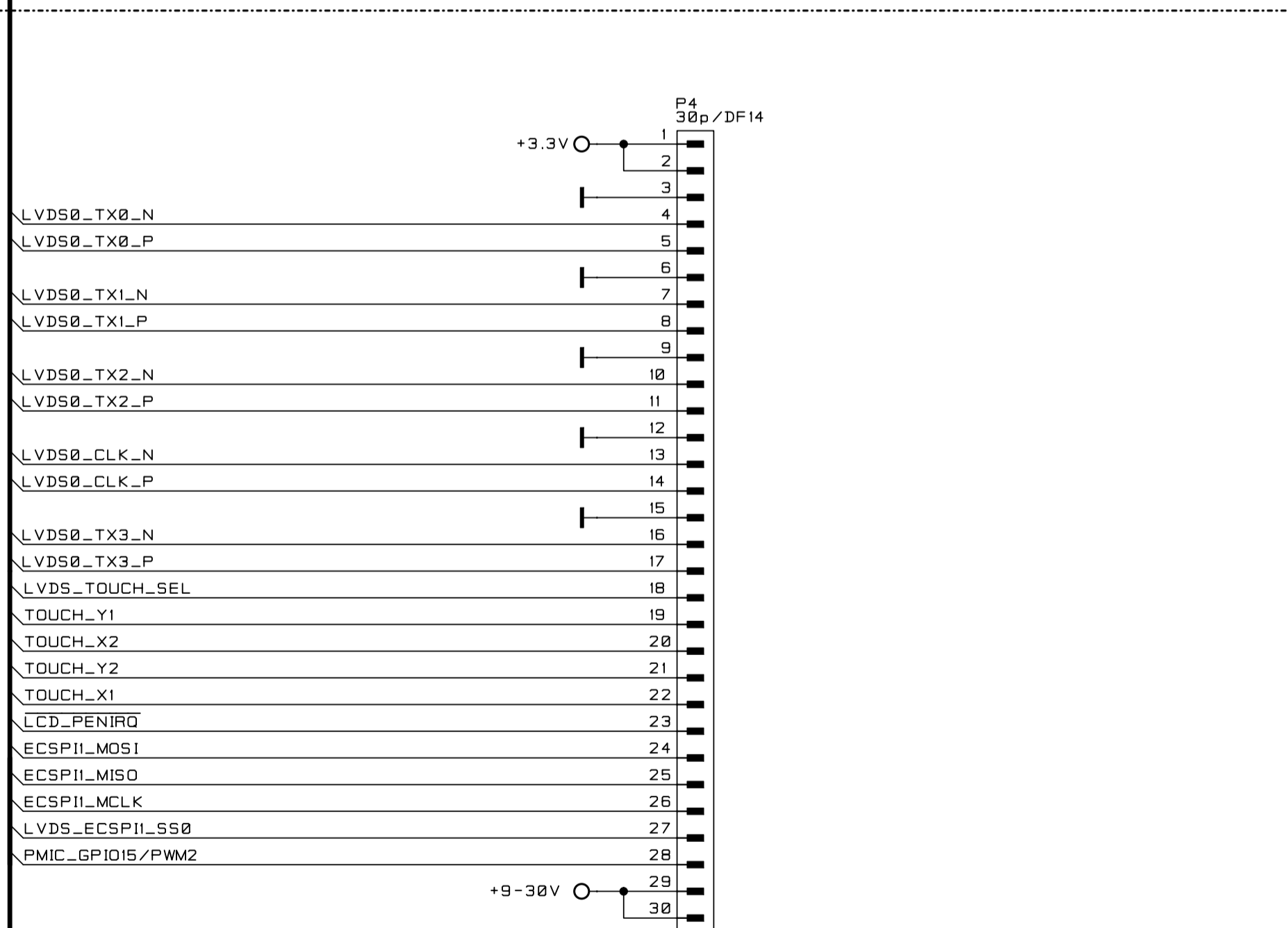
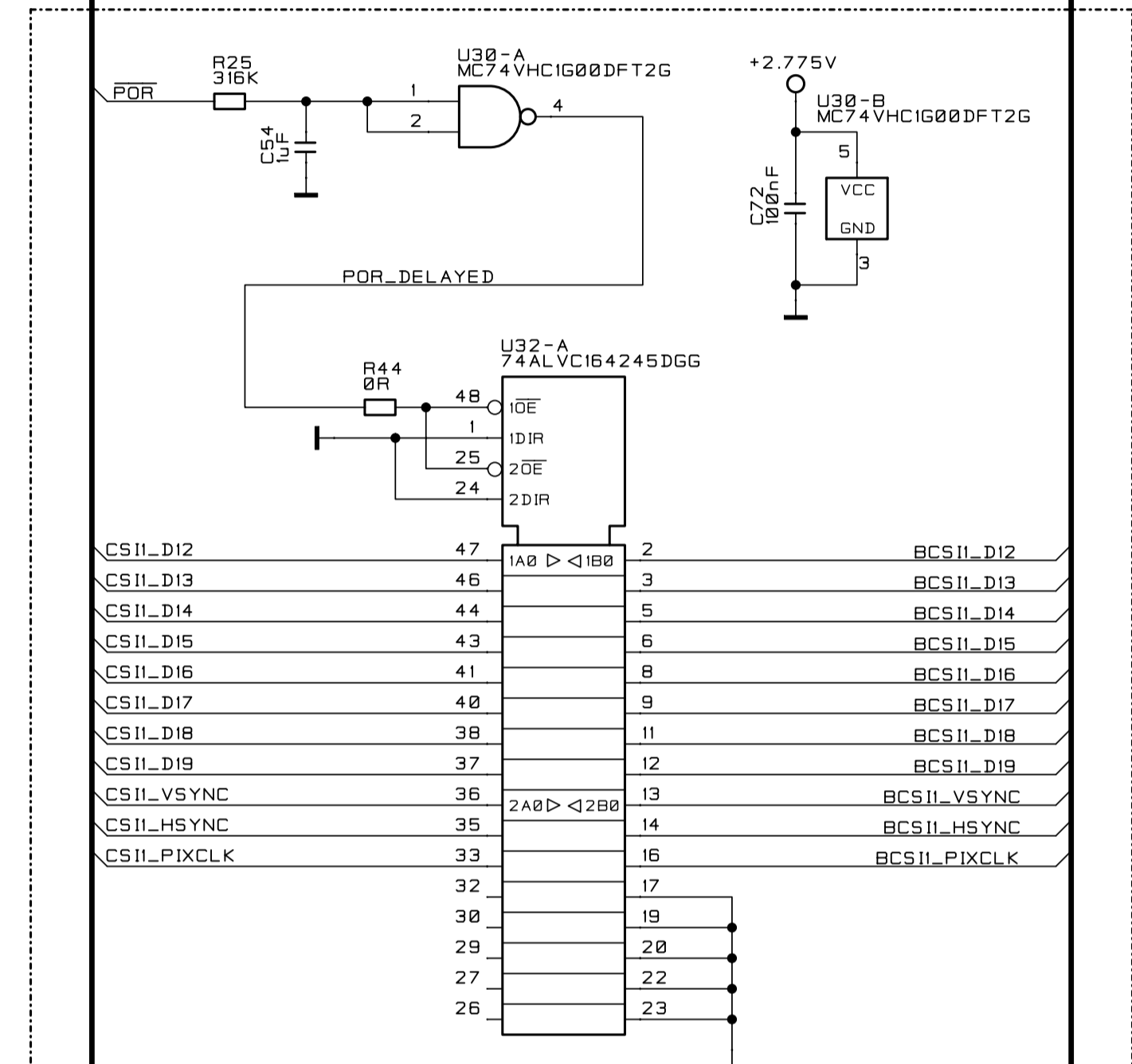
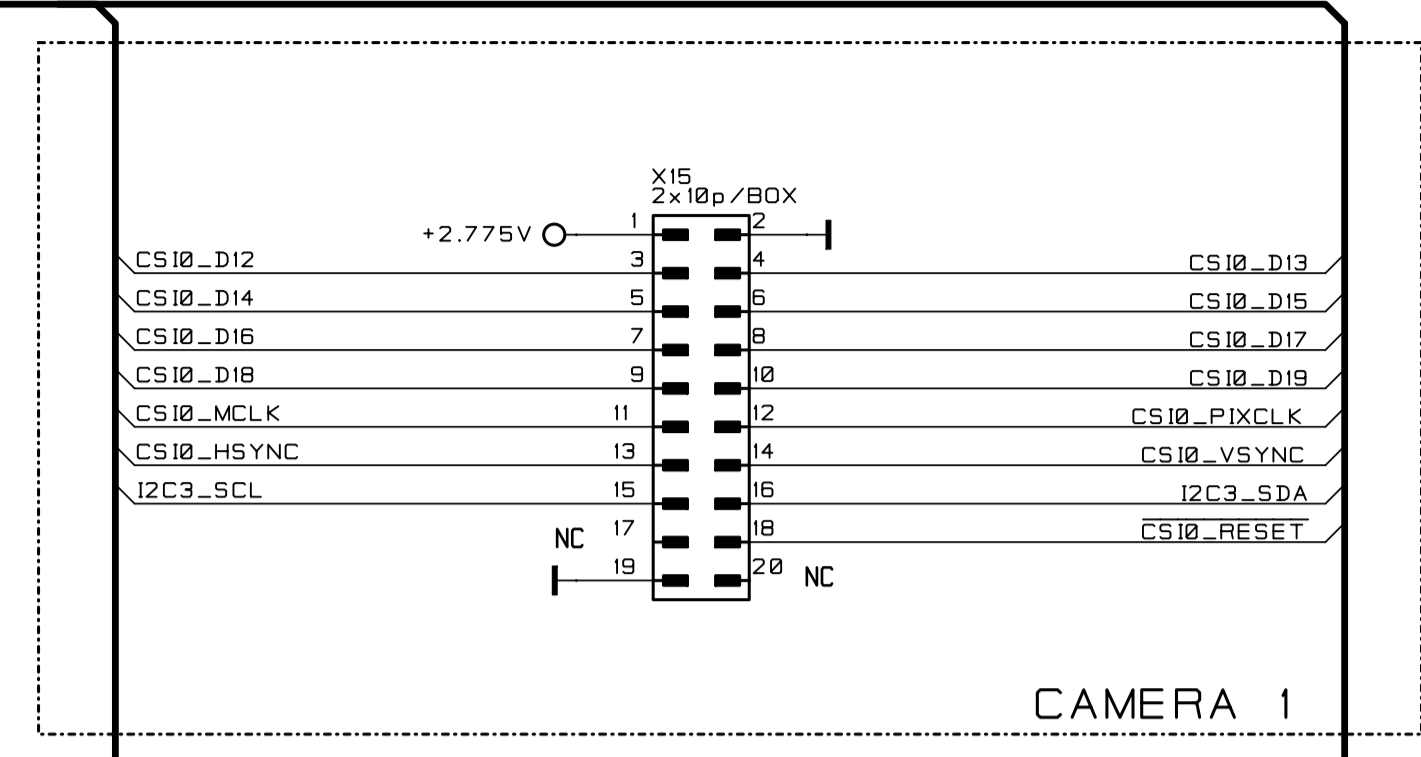
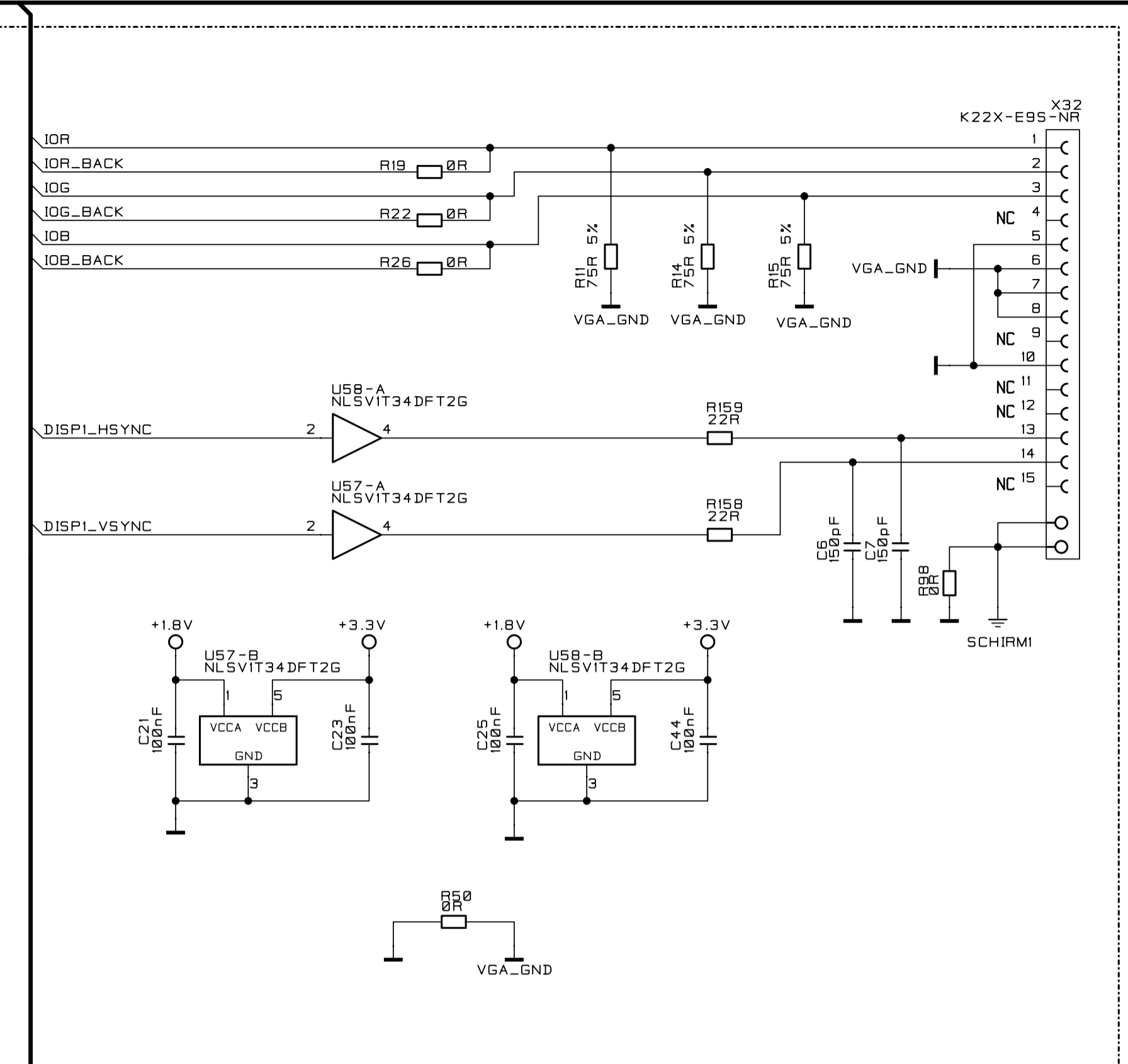
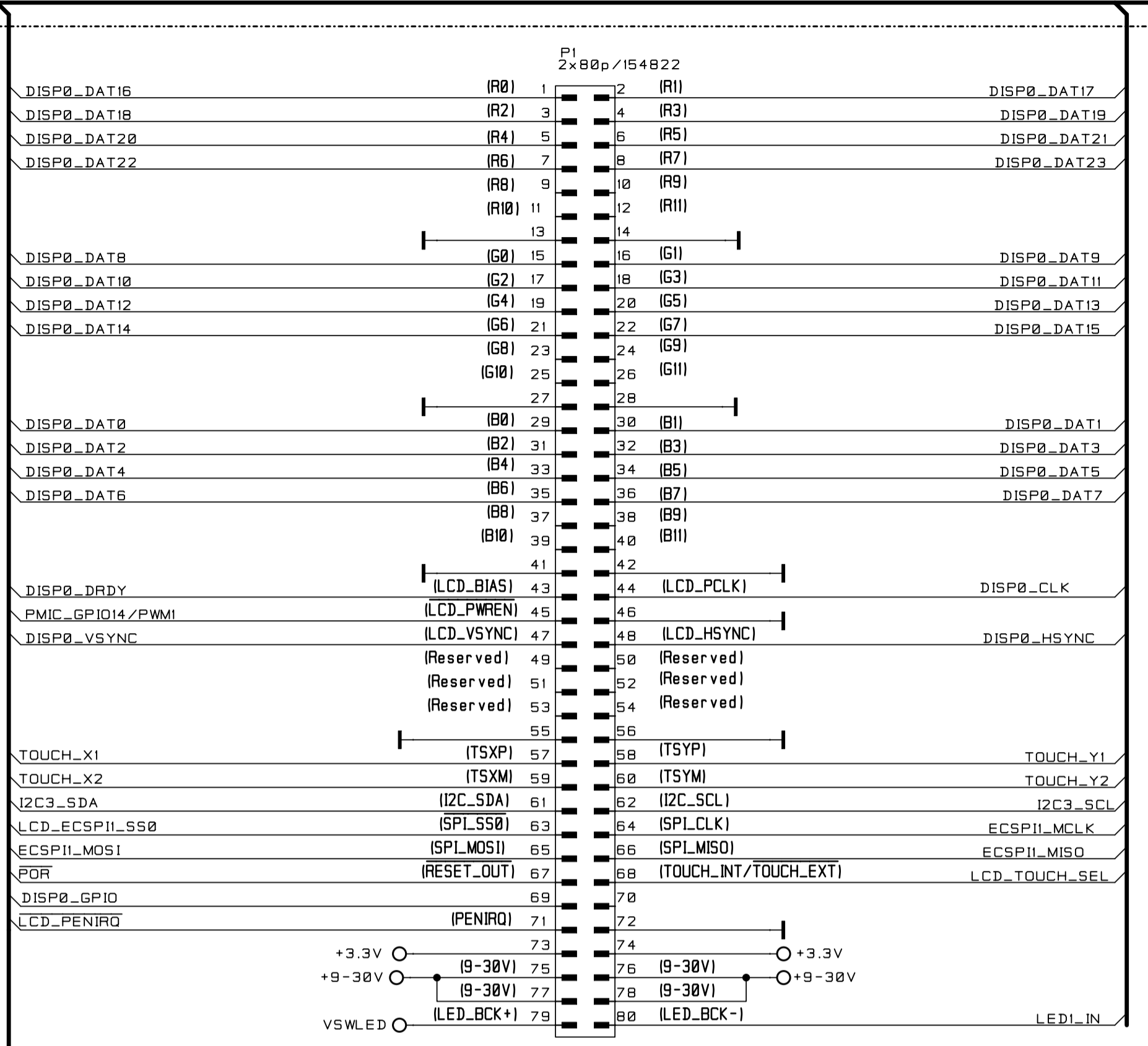




Usable for:				Filename: 3801372x-02_A.scm	
				JSCCWi-i.MX53	
				JumpStart Board for ConnectCore Wi-i.MX 53	
				Date	Name
				Designer	DA
				Approved	
				ISO	
				Title: Peripheral Header, Ethernet 1	
				Partnumber: 55001662-01	
				Sheet 8 of 13	
Rev.	Modification	Date	Name	Provided for: Provided by:	
B	ECC003470	27.02.2012	JR		
A	NPR002225	07.12.2011	DA		
01	Initial Design	26.07.2011	DA		

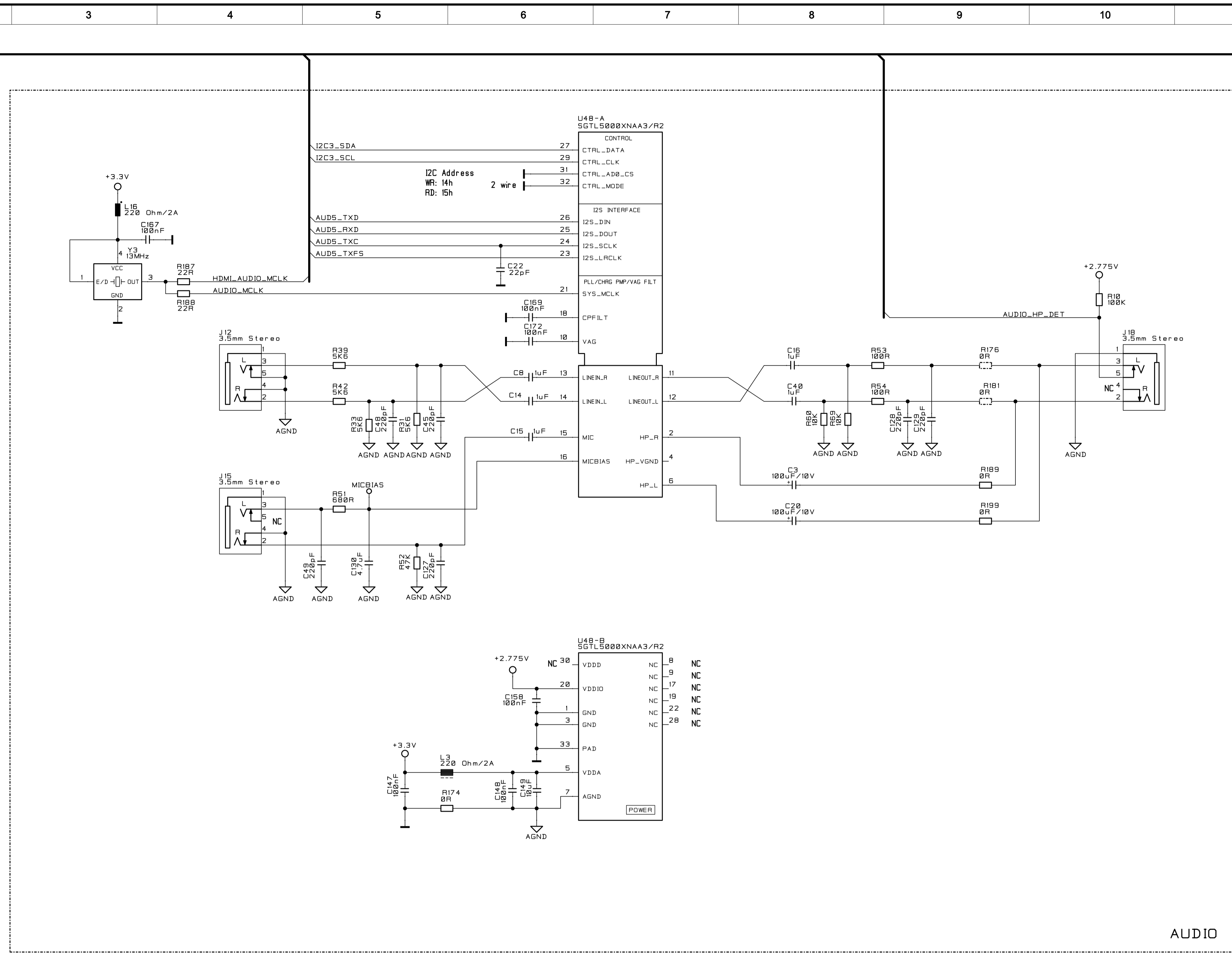


Usable for:		Filename: 3881372x-02_A.scm	
		JSCCW-i.MX53 JumpStart Board for ConnectCore Wi-i.MX 53	
		Title: USB OTG, USB HUB	
		Partnumber: 55001662-01	
		Sheet 9 of 13	
Rev. Modification		Date Name	
B	EC0003470	27.02.2012	JR
A	NPR002225	07.12.2011	DA
01	Initial Design	26.07.2011	DA
			
Provided for:		Provided by:	



Usable for:		Date		Name		Title:		Filename: 3881372x-02_A.scm	
		26.07.2011		DA		Camera, Display		JSCCW-i.MX53 JumpStart Board for ConnectCore Wi-iMX 53	
B		27.02.2012		JR				Partnumber:	
A		07.12.2011		DA				55001662-01	
01		26.07.2011		DA				Sheet	
Rev.		Modification		Date		Name		of 13	
								Provided for:	
								Provided by:	

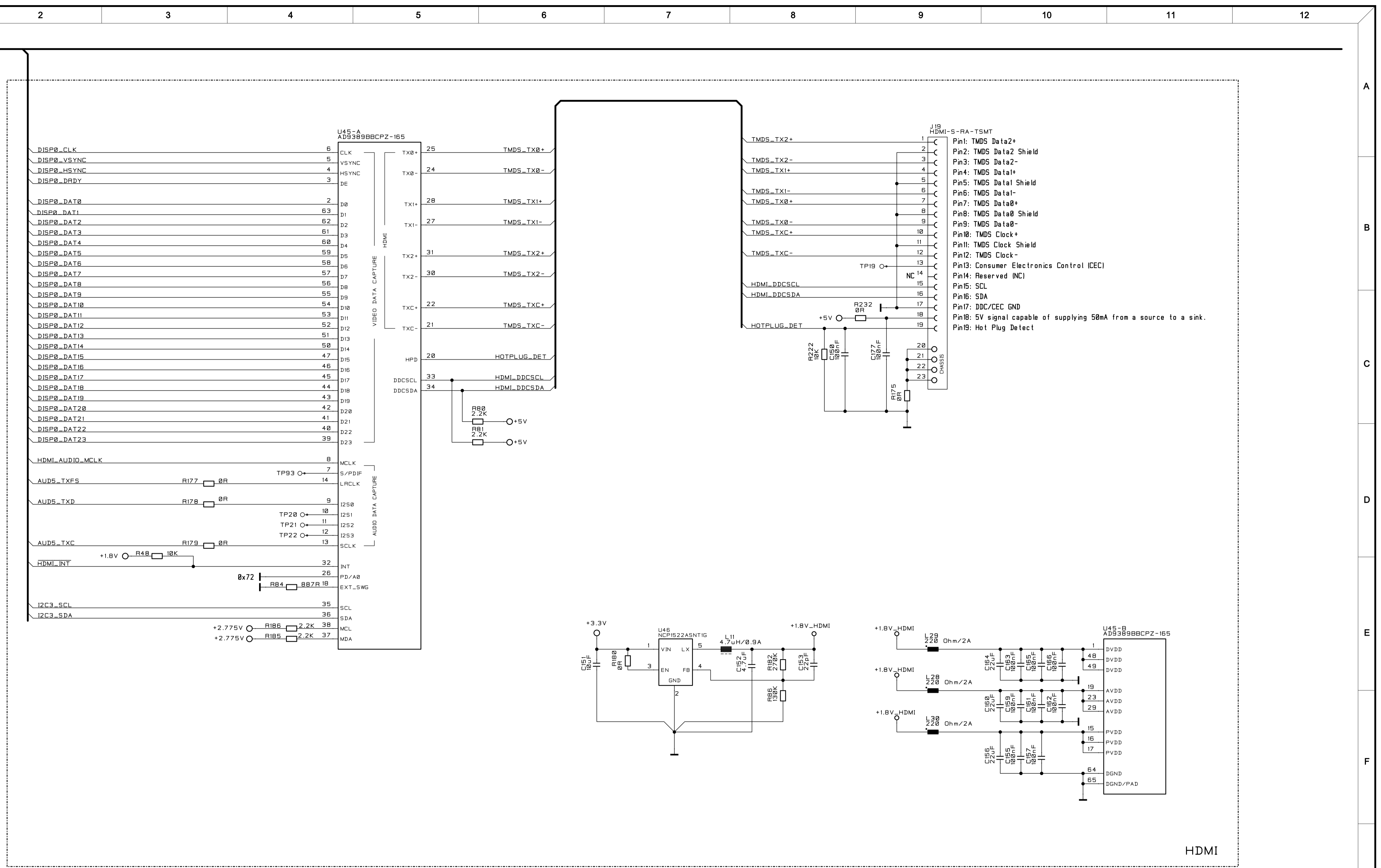




AUDIO

Usable for:				Filename: 3881372x-02_A.scm	
				J SCCWi-i.MX53	
				JumpStart Board for ConnectCore Wi-iMX 53	
		Date	Name	Title:	
		26.07.2011	DA	AUDIO	
		Approved			
		ISO			
Rev.	Modification	Date	Name	Partnumber:	Sheet
B	ECC003470	27.02.2012	JR	55001662-01	11
A	NPR002225	07.12.2011	DA		of 13
01	Initial Design	26.07.2011	DA		
				Provided for:	Provided by:

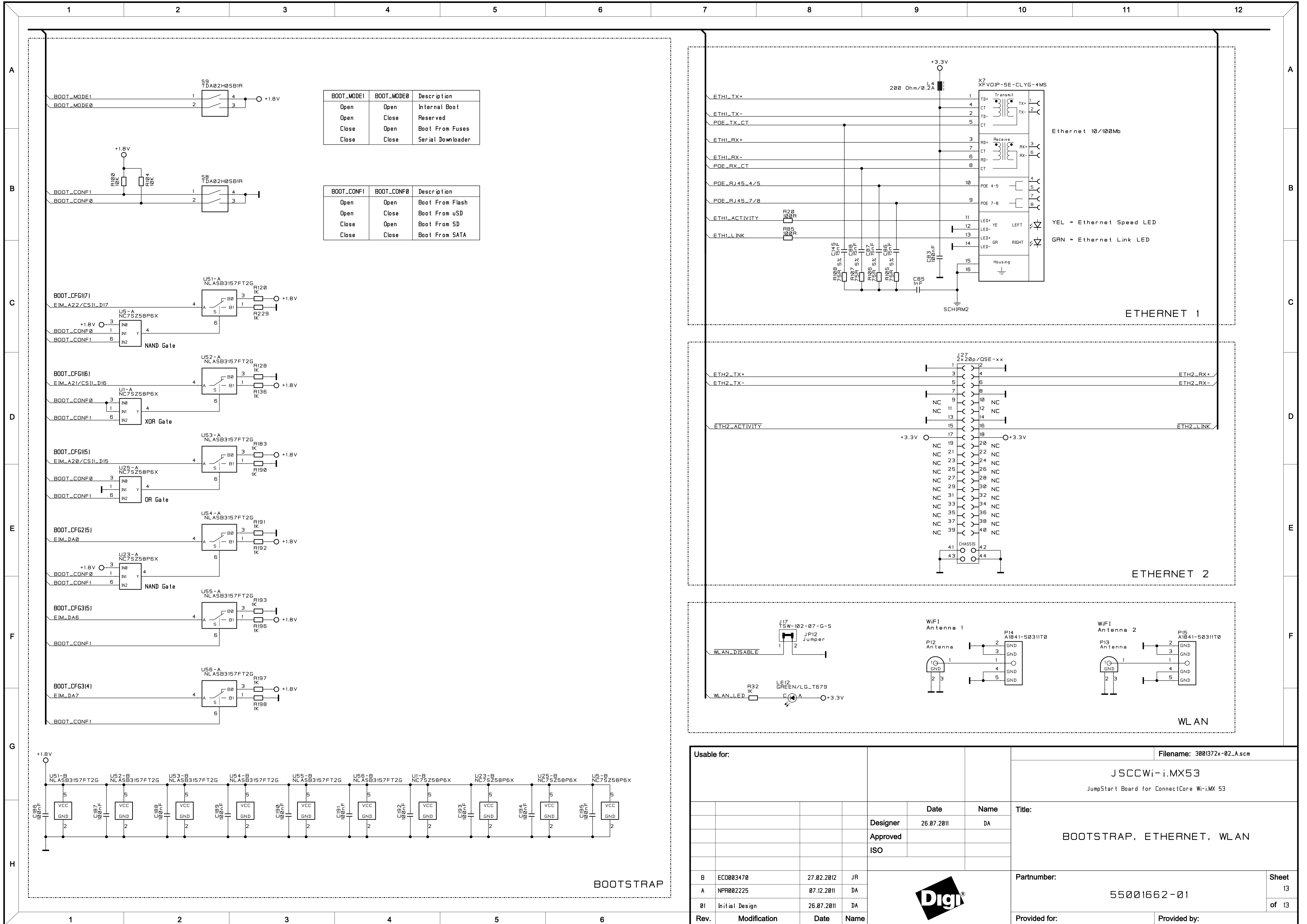




HDMI

Usable for:				Filename: 3881372x-02_A.scm	
Designer: 26.07.2011 Approved: DA ISO:				J SCCWi-i.MX53 JumpStart Board for ConnectCore Wi-i.MX 53	
				Title: HDMI	
				Partnumber: 55001662-01	
Rev.	Modification	Date	Name	Provided for:	Provided by:
B	EC0003470	27.02.2012	JR		
A	NPR002225	07.12.2011	DA		
01	Initial Design	26.07.2011	DA		






BOOT_MODE1	BOOT_MODE0	Description
Open	Open	Internal Boot
Open	Close	Reserved
Close	Open	Boot From Fuses
Close	Close	Serial Downloader

BOOT_CONF1	BOOT_CONF0	Description
Open	Open	Boot From Flash
Open	Close	Boot From uSD
Close	Open	Boot From SD
Close	Close	Boot From SATA

Usable for:				Filename: 3881372x-02_A.scm	
				JSCCWi-i.MX53	
				JumpStart Board for ConnectCore Wi-iMX 53	
		Date	Name	Title:	
	Designer	26.07.2011	DA	BOOTSTRAP, ETHERNET, WLAN	
	Approved				
	ISO				
B	ECO003470	27.02.2012	JR	Partnumber:	Sheet
A	NPR002225	07.12.2011	DA	55001662-01	13
01	Initial Design	26.07.2011	DA		of 13
Rev.	Modification	Date	Name	Provided for:	Provided by:



	1	2	3	4	5	6	7	8	9	10	11	12
A	27.07.2011, ConnectCore Wi-i.MX53 JumpStart Board / 55001662x-01 Rev. I: * Initial version of the layout. 07.12.2011, ConnectCore Wi-i.MX53 JumpStart Board / 55001662x-01 Rev. A - NPR002225: * Change R25 from 1M to 316K 27.02.2012, ConnectCore Wi-i.MX53 JumpStart Board / 55001662-01 Rev. B - EC003470: * Change R127 from 1M to 316k * Change R216 from 4.7k to 1k											
B												
C												
D												
E												
F												
G												
H												
	1	2	3	4	5	6	7	8	9	10	11	12

Usable for:								Filename: 3001372x-02_A.scm				
								JSCCWi-i.MX53 JumpStart Board for ConnectCore Wi-i.MX 53				
					Date	Name	Title:					
				Designer	26.07.2011	DA	History					
				Approved								
				ISO								
B	EC003470	27.02.2012	JR					Partnumber:		55001662-01		Sheet
A	NPR002225	07.12.2011	DA					X+1				
01	Initial Design	26.07.2011	DA					of 13				
Rev.	Modification	Date	Name					Provided for:		Provided by:		