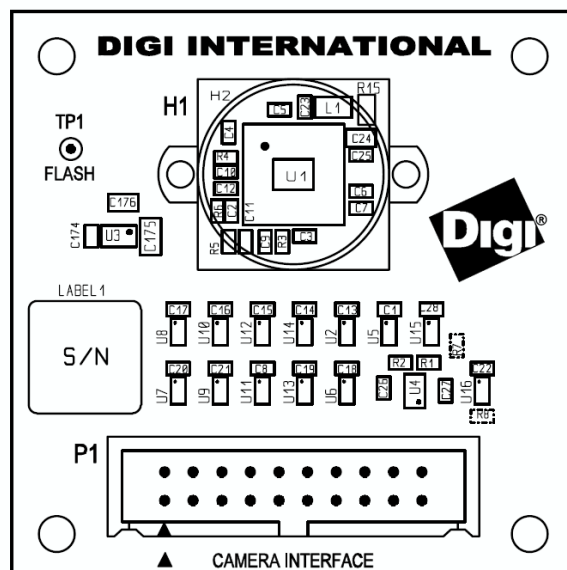


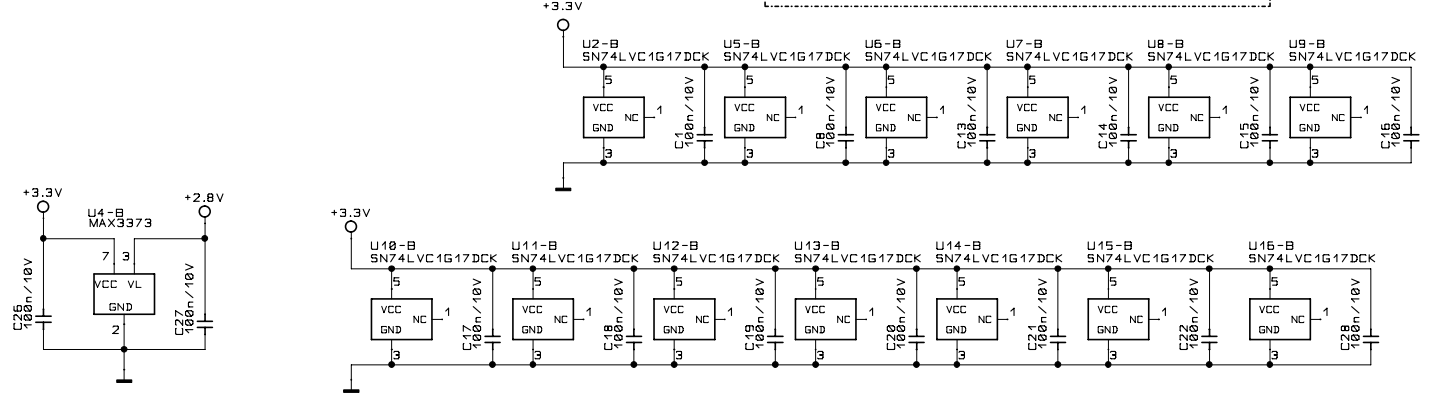
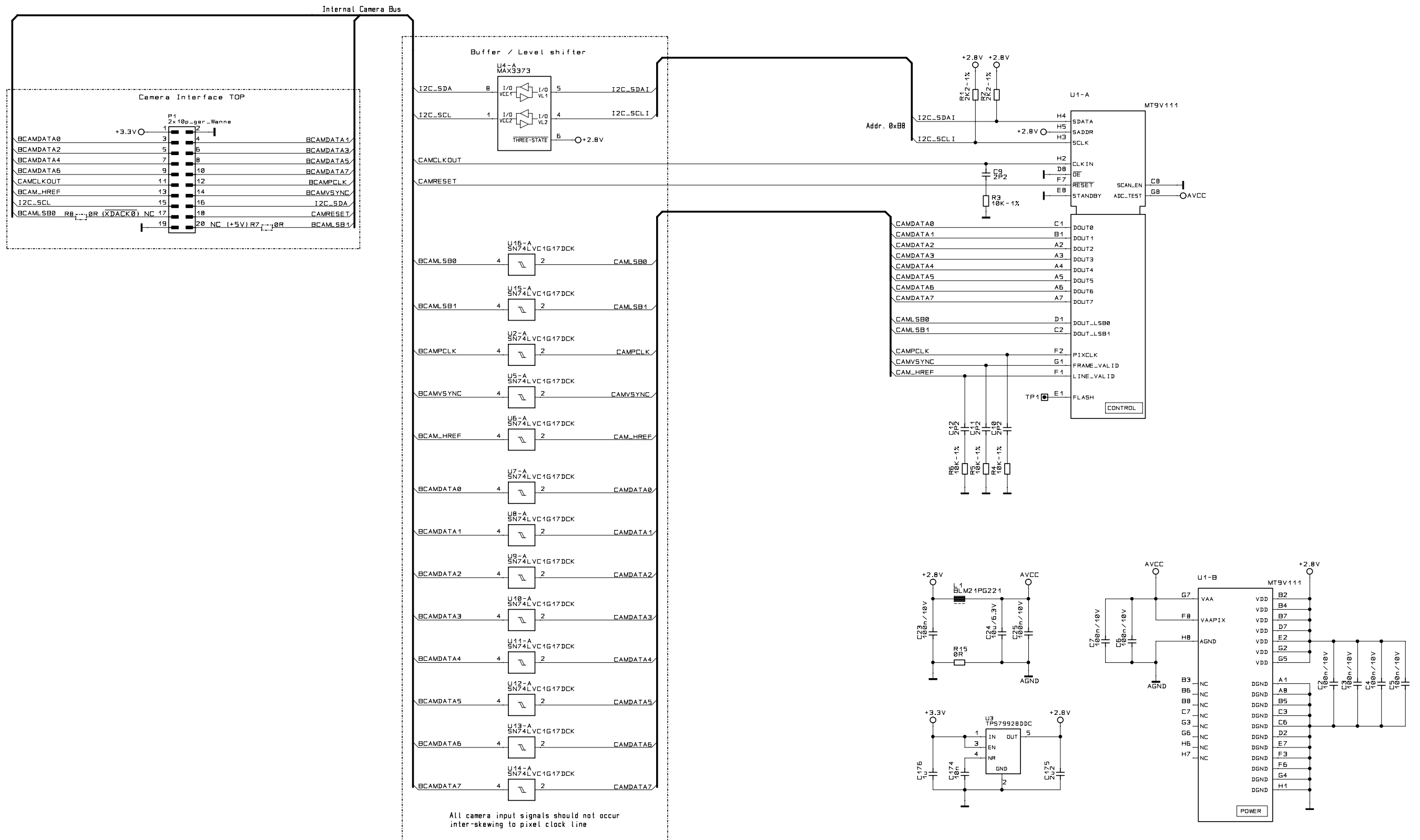


CAM_APKIT_JS

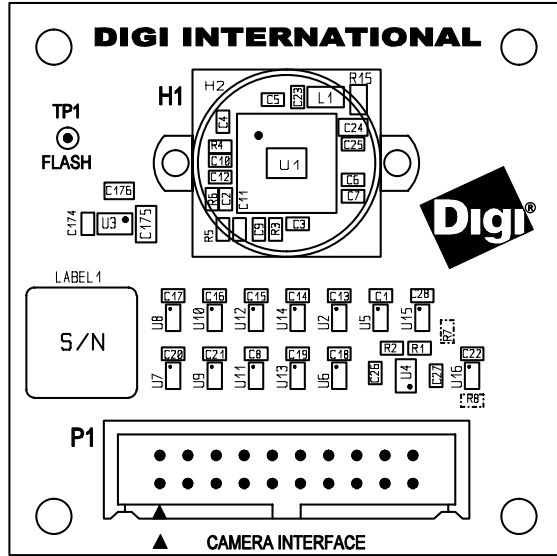
55001378-01 RevB

Camera board with MT9V111 - 1/4-Inch
SOC VGA Digital Image Sensor

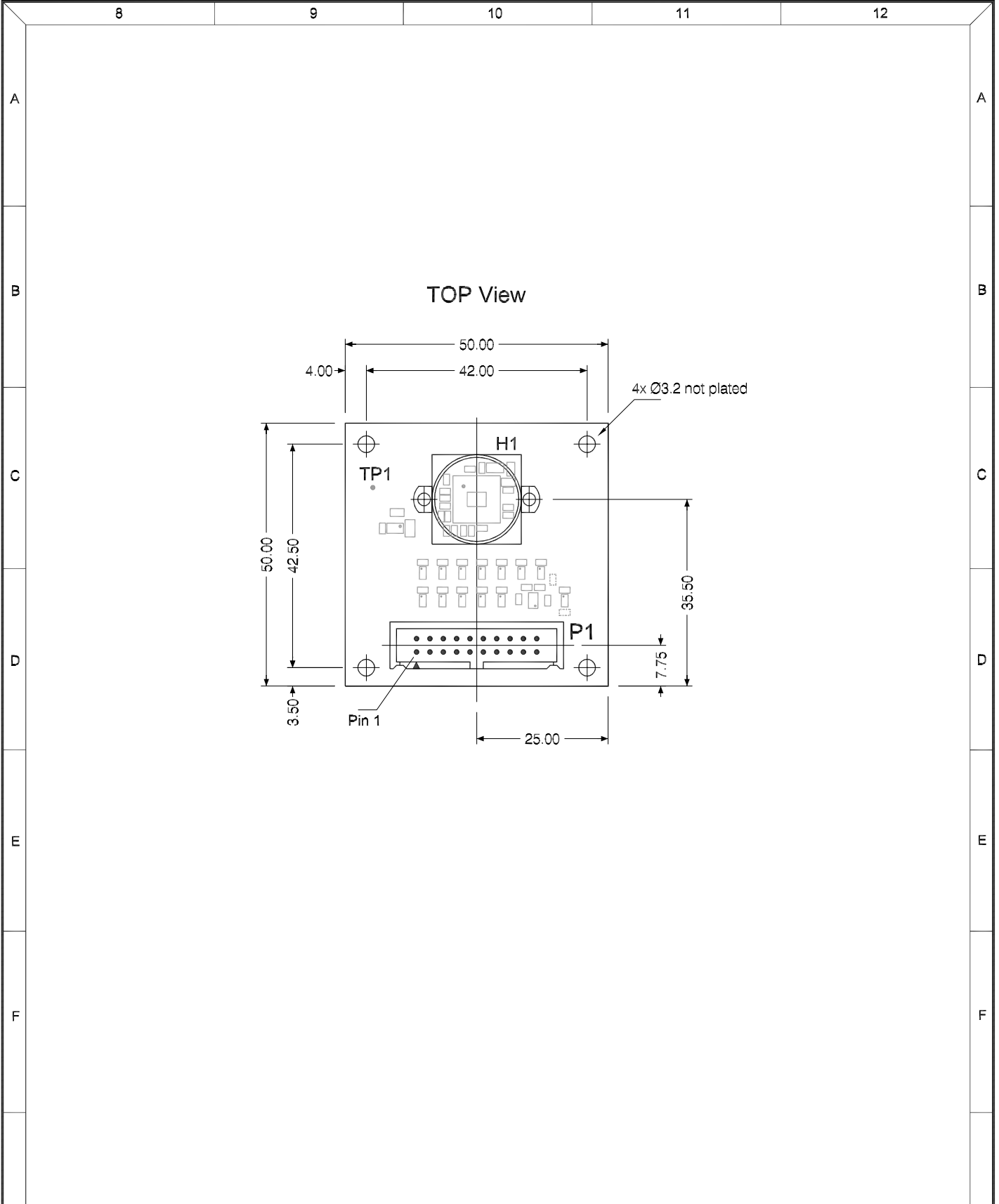




Usable for:				Scale:		Filename: CAM_APKIT_JS.scm		
				CAM_APKIT_JS				
				<small>Camera board with MT9V111 - 1/4-Inch SOC VGA Digital Image Sensor</small>				
		Date	Name	Title:				
		18.05.2009	Hp5	Camera Application Kit				
		Approved						
		ISO						
				Partnumber:		5500 1378-01		
				Provided for:		Provided by:		
Rev.	Modification	Date	Name					Sheet
B	EC0001189	18.05.2009	Hp5					1
A	EC0001189	07.05.2008	Hp5					of



Usable for:				Scale: 1.5		Filename: CAM_LAPKIT_JS.pcb		
				CAM_LAPKIT_JS Camera board with MT9V111 - 1/4-Inch SOC VGA Digital Image Sensor				
				Designer	Date	Name	Title: Placement TOP Side	
				Approved	19.05.2009	SC		
				ISO				
B	ECO001189	19.05.09	SC				Partnumber: 55001378-01	Sheet 1
A	ERP-LN Transition	07.05.09	SC				Provided for:	Provided by:
Rev.	Modification	Date	Name					



Usable for:						Scale: 1:1	Filename: 55001378-01_B_mech.dwg
						CAM_APKIT_JS	
				Draw.	Date	Name	Title: Dimensions TOP
				Appr.	19.05.09	SC	
				Stand.			
						Partnumber:	
						55001378-01_B	
Rev.	Modification	Date	Name			Provided for:	Provided by:
							of 1