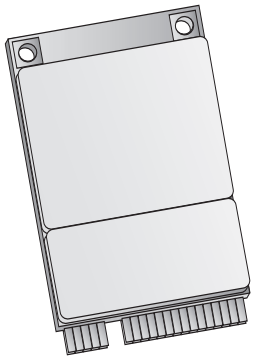
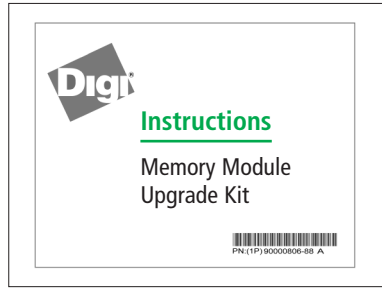


Kit Components



Memory Module

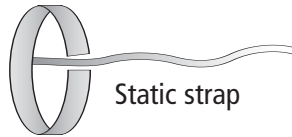
Instructions



Tools needed:



Phillips head screw driver



Static strap

WARNING: Adding the Memory Module to a ConnectPort X4/X8 must be performed by an experienced technician in a static-safe environment. Please follow the instructions carefully.



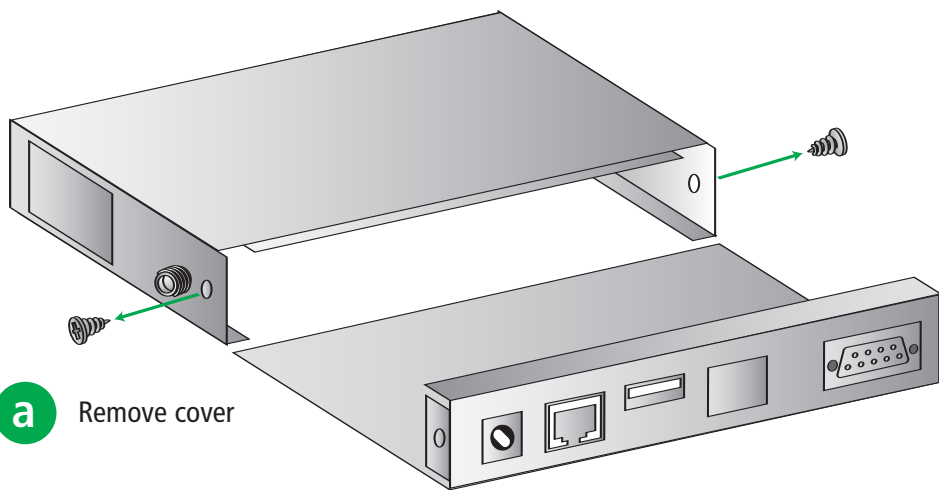
Instructions

Memory Module Upgrade Kit



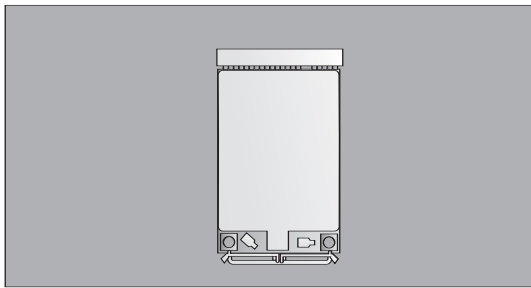
PN (1P): 9000909-88 A

1 ConnectPort X4

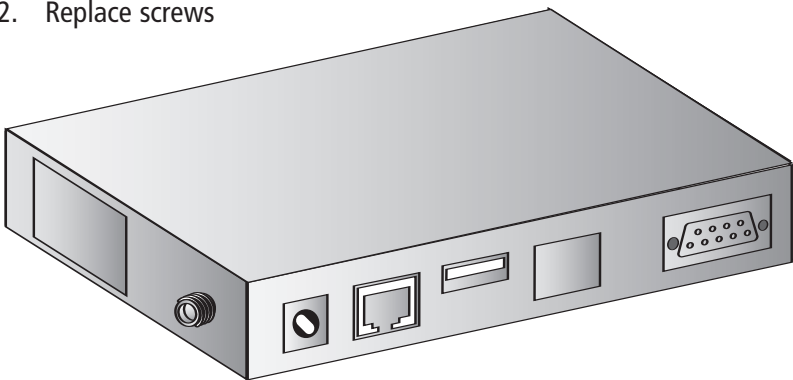


a Remove cover

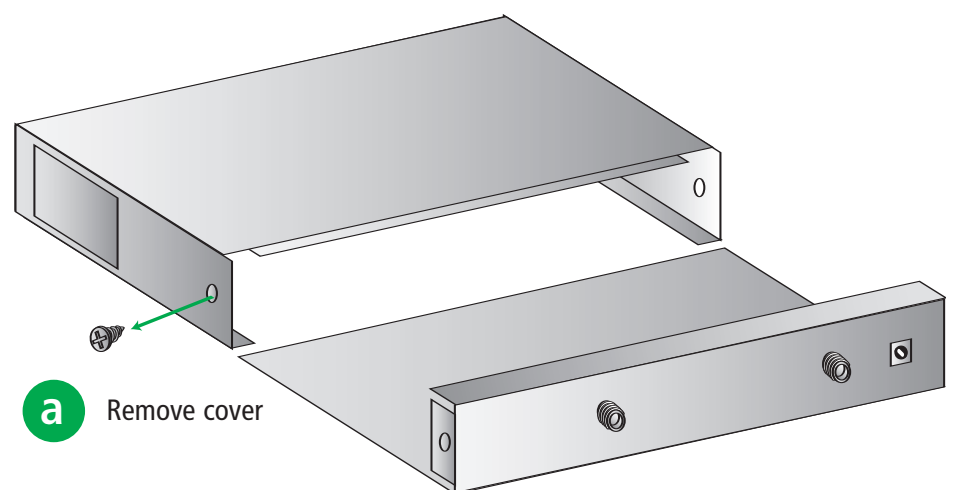
b Add module:
1. Snap module into place



c 1. Replace cover
2. Replace screws

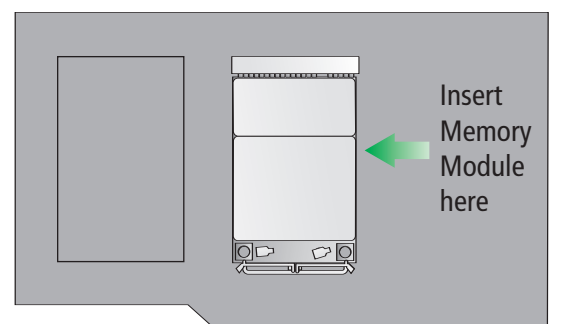


1 ConnectPort X8

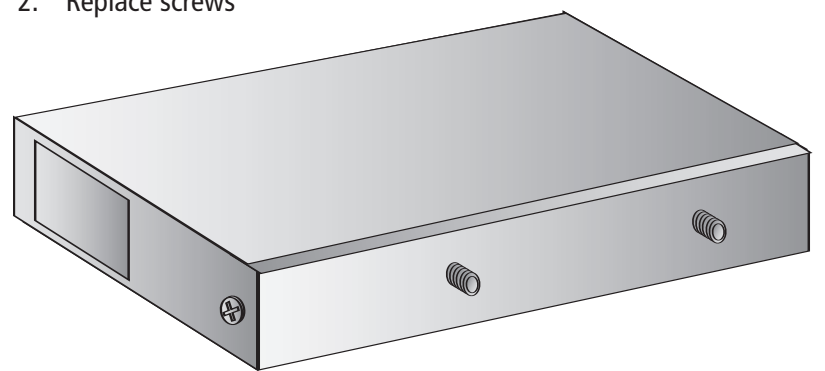


a Remove cover

b Add module:
1. Snap module into place



c 1. Replace cover
2. Replace screws



2 Verify Memory

a Power up and connect to the command line interface of the Digi device (i.e. telnet 192.168.1.1)

b Enter the following command to see the Memory Module and available size.
> flashdrv

c You should see results similar to the following:

| Volume | Byte | Used | Available | Bad | Use% | Mounted on |
|---------|------------|-------|------------|-----|------|------------|
| NO NAME | 1043021824 | 16384 | 1043005440 | 0 | 0.0 | A:/ |

Note: Actual Bytes may vary from what is shown.

3 Read / Write Memory

Writing data to the module and reading data from the module is done through customized Python scripts. An example script can be obtained at <http://www.digi.com/support>. Select your product, and then select Sample Applications