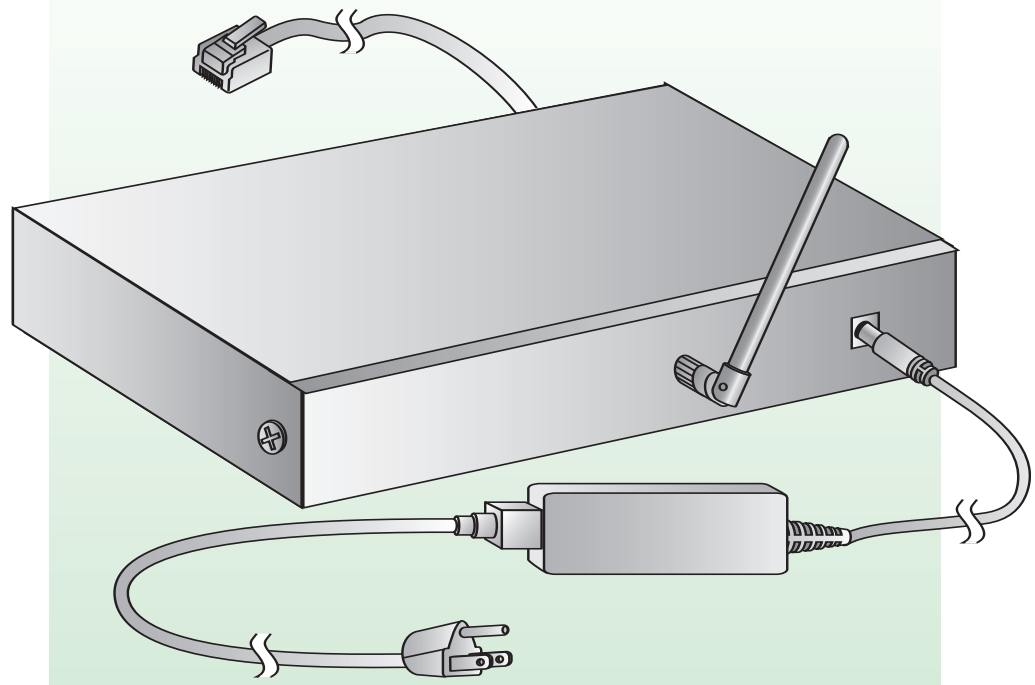
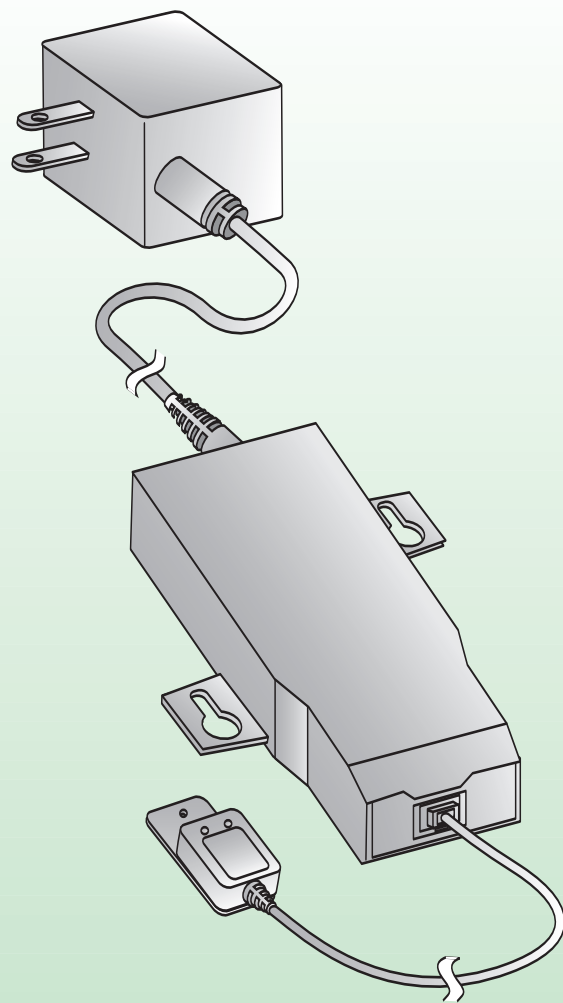


1 Start the Drop-in Network



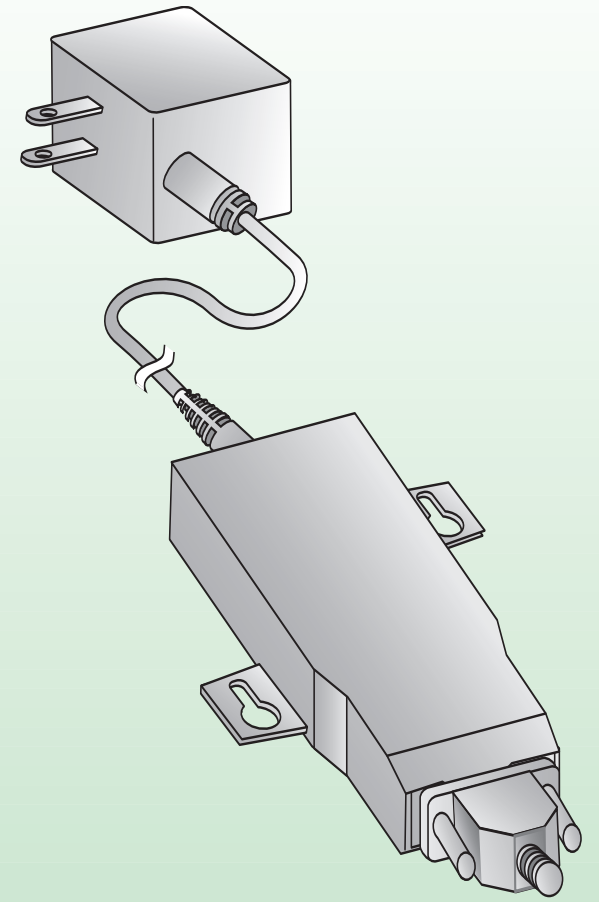
ConnectPort™ X Gateway

Box contents:
 ConnectPort™ X Gateway
 Antenna
 Cross-over Ethernet cable
 Power supply
 Power cord*
 *not included with kits sold in international markets



XBee™ Sensor Adapter

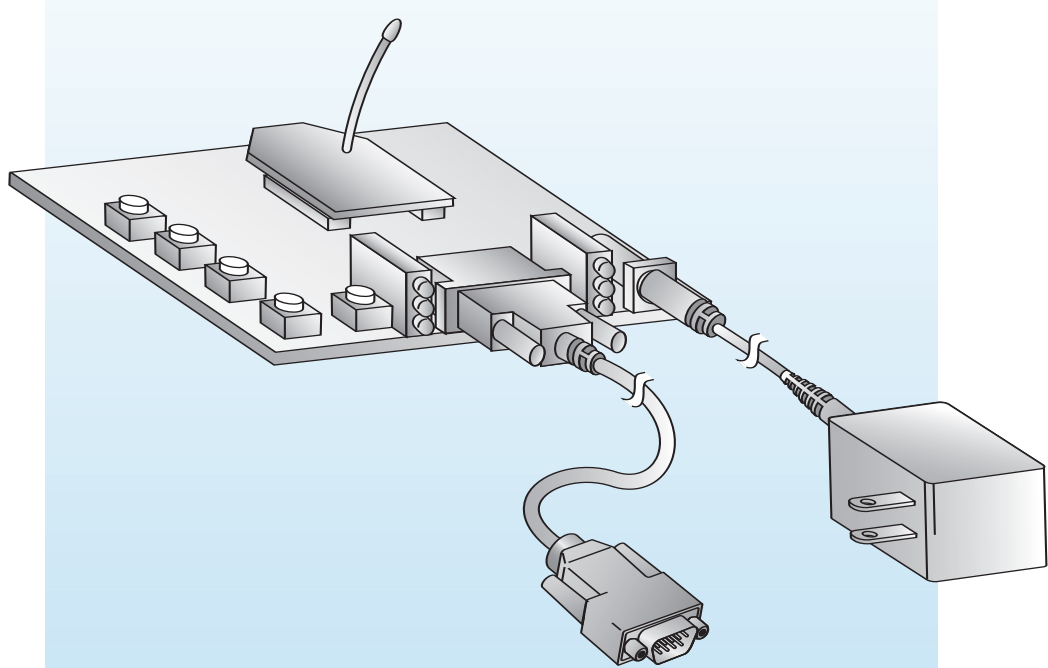
Box contents:
 XBee Sensor Adapter
 Watchport/T™ temperature sensor
 Power supply



XBee™ RS-232 Adapter

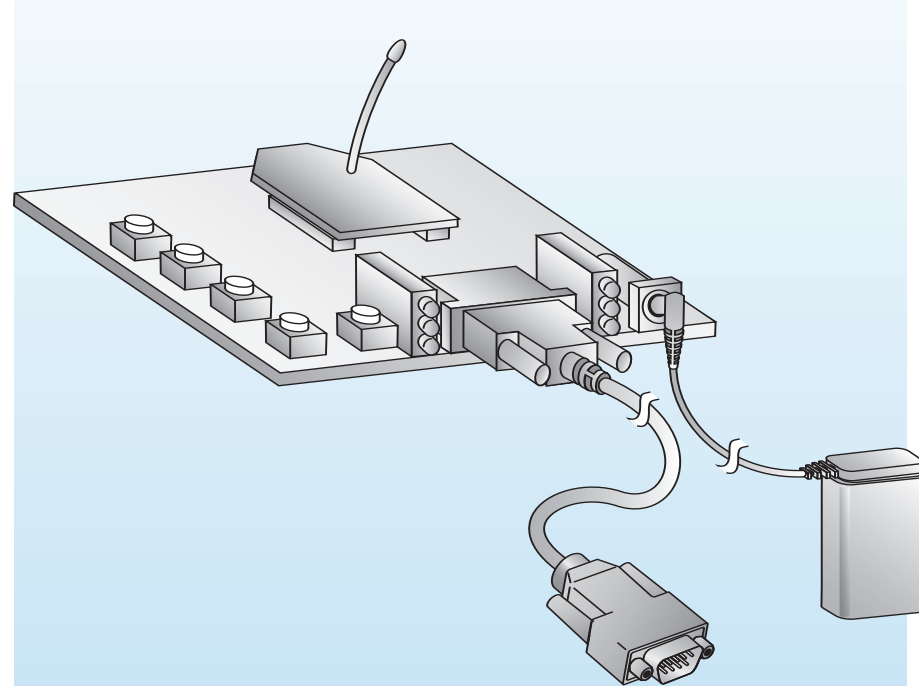
Box contents:
 XBee RS-232 Adapter
 Loopback plug
 Power supply

2 Extend the Drop-in Network with Embedded Development



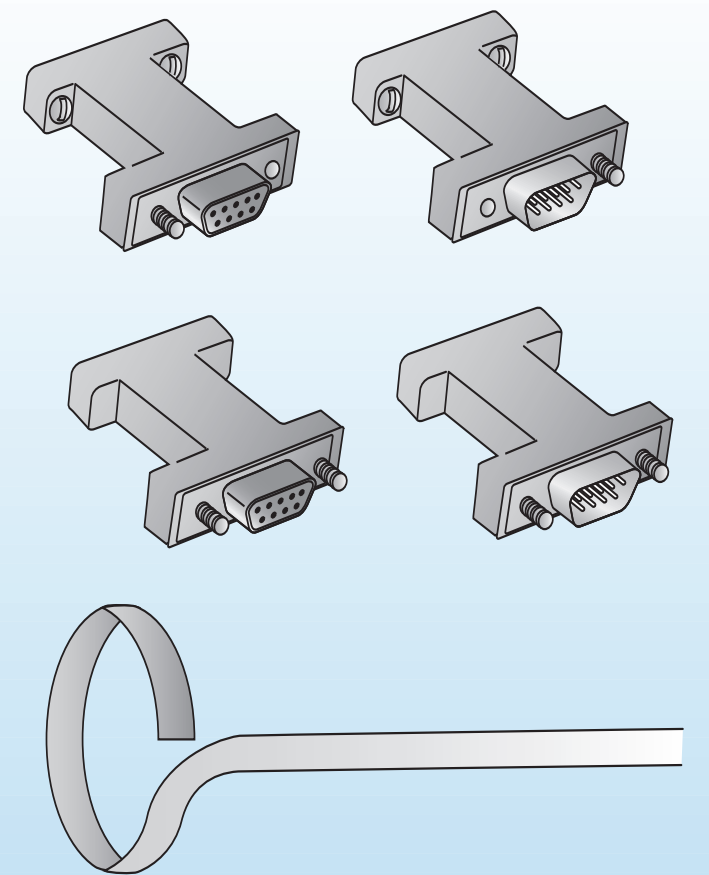
XBee™ Interface Board (AC)

Box contents:
 XBee Interface Board
 XBee Module
 Serial cable
 Power supply



XBee™ Interface Board (Batt)

Box contents:
 XBee Interface Board
 XBee Module
 Serial cable
 Battery cable
 9V battery



Accessories

Box contents:
 JD2D3 Serial loopback tester (F)
 JD2D3 Serial loopback tester (M)
 JD2D2 Null Modem Adapter (F)
 JD2D2 Null Modem Adapter (M)
 Wrist strap

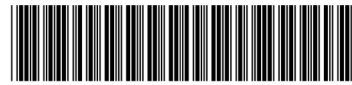


Questions?

For technical assistance with your
Drop-in Network, call:

1-800-903-8430

www.digi.com



PN:(1P)90000908-88 A

WHAT'S IN THE BOX?