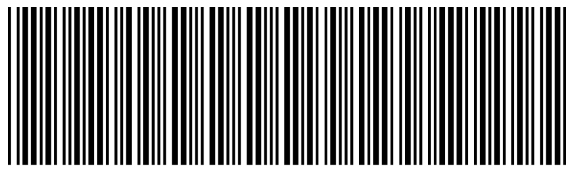




# Quick Start Guide

ConnectPort® TS 8, TS 8 MEI, TS 16, TS 16 MEI



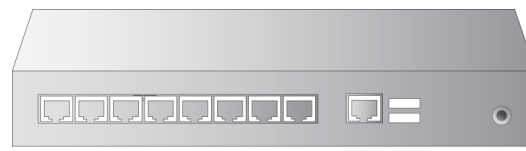
90000848-88 F

## 1 Verify your components

Verify that you have all included equipment.

If any item is missing or damaged, contact your supplier.

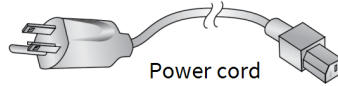
### Included equipment



ConnectPort TS 8 or 16

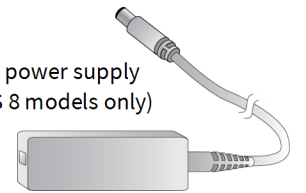


RJ-45 diagnostic loopback

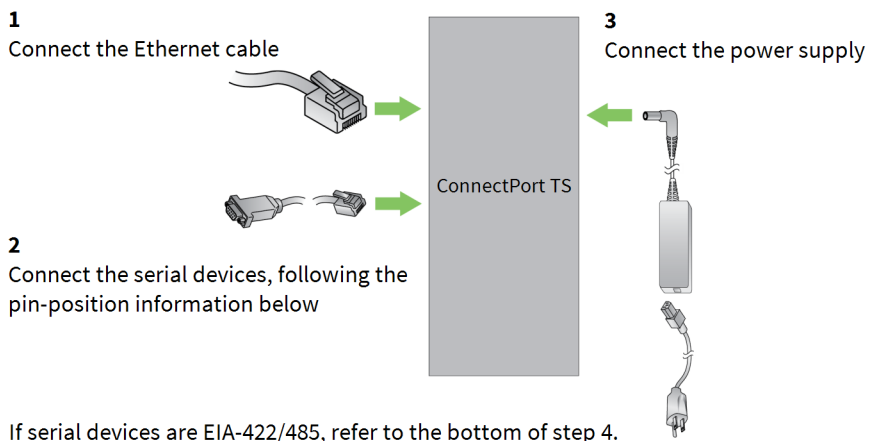


Power cord (for U.S. models)

Cord and brick power supply (ConnectPort TS 8 models only)



## 2 Connect the hardware



ConnectPort TS 8 (EIA-232 and MEI models)



Locking barrel power outlet

ConnectPort TS 16 (EIA-232 and MEI AC models)



VAC power outlet

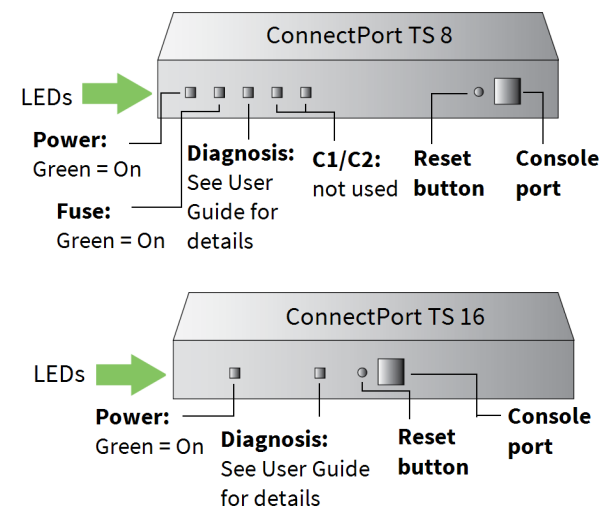
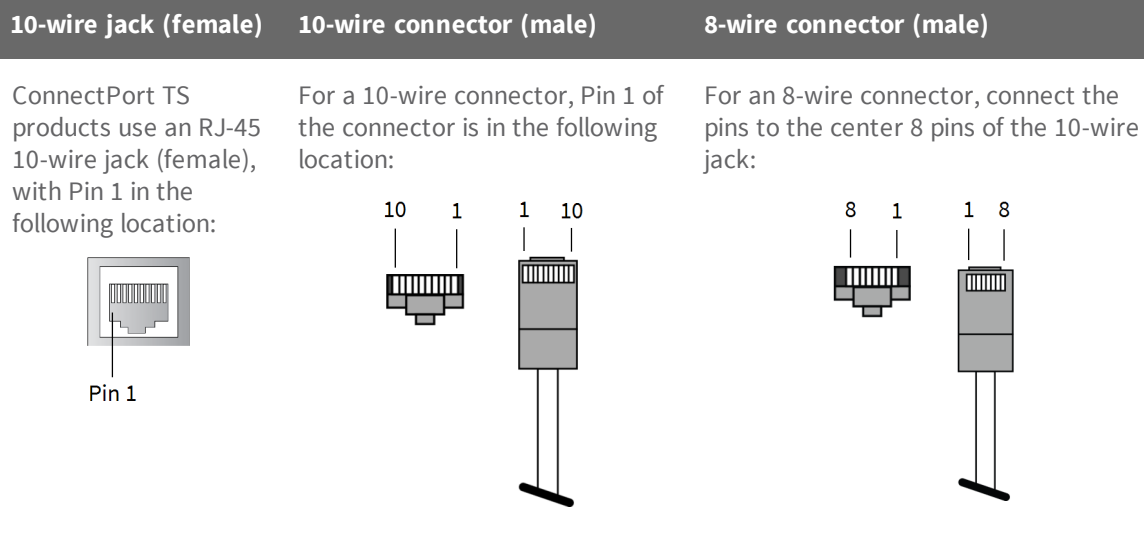
ConnectPort TS 16 48 VDC model



48 VDC screw power

Ground

## Pin positions for connecting serial devices



Pin # on 10-wire connector	Pin # on 8-wire connector	MEI products only			PortServer TS 8/16 MEI only
		EIA-232	EIA-422/485 full-duplex	EIA-485 half-duplex	
1		RI	TxD-	N/A	N/A
2	1	DSR*	RxD-	DATA-	RxD-
3	2	RTS	RTS+	N/A	TxD+
4	3	CGND	CGND	CGND	CGND
5	4	TxD	TxD+	N/A	No connection
6	5	RxD	RxD+	DATA+	RxD+
7	6	SGND	SGND	SGND	SGND
8	7	CTS	CTS+	N/A	No connection
9	8	DTR	RTS-	N/A	TxD-
10		DCD*	CTS-	N/A	N/A

\*Use the Altpin setting to swap these two signals.

---

### 3 Download the required software

Digi provides several utilities that discover devices present on a network. You will need to download either the **Digi Discovery Utility** or **Digi Port Authority - Remote**.

1. Navigate to [www.digi.com/support/cpts8](http://www.digi.com/support/cpts8).
2. Click the **Diagnostics, Utilities, and MIBs** link.
3. Select your operating system.
4. Download and run either the **Digi Discovery Utility** or **Digi Port Authority - Remote**.

If you want to manage your serial ports with Digi's RealPort software, download the RealPort software.

1. Navigate to [www.digi.com/support/cpts8](http://www.digi.com/support/cpts8).
2. Click the **Drivers** link.
3. Select your operating system. A list of available downloads and release notes for your operating system appears.
4. Download the RealPort driver and the release notes.

---

**Note** For Microsoft Windows operating systems, unzip the download package and run the executable file. For Linux or Unix operating systems, unload the release notes first and follow the instructions in the release notes.

---

### 4 Configure the serial ports

Access the *Digi Connect Family User Guide* from the Documentation tab at [www.digi.com/support/cpts8](http://www.digi.com/support/cpts8).

Use Digi Discovery Utility or Digi Port Authority—Remote to discover devices on your network and open the web interface.

1. In the list of discovered devices, select the ConnectPort TS 8/16 device.
2. If you are not using DHCP, configure the IP address.
3. Open the web interface. In the Digi Device Discovery Utility, click **Open web interface**. In Digi Port Authority-Remote, click **Device Configuration**.
4. A login prompt for the web interface appears. Enter the default username and password: **root** and **dbps**.

In the web interface, under **Configuration**, click **Serial Ports**.

Configure serial port settings using port profiles. Port profiles are a defined set of serial port parameters for a particular use. The web interface and User Guide contain descriptions of the port profiles. For ConnectPort TS 8/16 products, Digi recommends the **RealPort** port profile. For help in configuring the device for use with other port profiles, see the User Guide. To configure ports to use the RealPort port profile:

1. On the **Serial Port Configuration** page, click the port to be configured.
2. Click **Change Profile**.
3. In the list of profiles, select the **RealPort** port profile.
4. Click **Apply**.

For EIA-232 devices that will be connected using 8-wire cables, configure the **Altpin** setting. The default for this setting is off; it must be enabled as needed for each serial port. For each applicable serial port:

1. Click **Advanced Serial Settings**.
2. Select the **Enable alternate pinout (altpin)** setting.
3. Click **Apply**.

The serial ports for ConnectPort TS 8/16 MEI products are set to EIA-232 by default. For serial ports that connect to EIA-422 or EIA-485 devices, configure the serial ports. For each applicable serial port:

1. Click the serial port to select it.
2. On the **Serial Port Configuration** page, click the **Multiple Electrical Interface (MEI) Serial Settings** link.
3. Select **EIA-422/EIA-485**.
4. Select the number of differential wires the device uses for communication:
  - **2 wires:** a half-duplex connection with shared transmit and receive wires.
  - **4 wires:** a full-duplex connection with independent transmit and receive pairs. This is the default setting.
5. Select **Enable termination** if you require termination or use of biasing resistors across the lines. Enable this setting if the terminal server port is an endpoint node of the EIA-422/485 network and you want termination or biasing. 2-wire mode uses termination or biasing at one of the end points; usually the Master endpoint.

---

**Note** The CTS and RTS controls signals are available as separate differential signals in the EIA-422/EIA-485 4-wire mode. Do not use these differential signals in 2-wire mode. The CTS and RTS differential signals are *not* terminated or biased internally. If you require termination or biasing, it must be done externally.

---

Your ConnectPort TS device is now configured for basic serial port connectivity. For information on other configuration options and additional product information, see the User Guide.

---

### 5 Locate the appropriate cable adapters for your product

The table below lists EIA-232 cable adapters that work with ConnectPort TS 8/16 products. For additional cabling information, go to [www.digi.com/support/cpts8](http://www.digi.com/support/cpts8) and click the **Documentation** tab. To order cables, click **Cabling**.

Part number	Cable adapter	Application
76000697	Digi TS DB-9F Console Adapter (4-pk)	Bay Accelar, Nortel and other DB-9 DTE devices.
76000698	Digi TS DB-25M Console Adapter (4-pk)	Oracle Sparc, Oracle Ultra, terminal, printers and other DTE devices with DB-25 female ports.
76000699	Digi TS DB-25F Console Adapter (4-pk)	Cisco, IBM and other DTE devices with DB-25 male ports.
76000700	Digi TS DB-25M Modem Adapter (4-pk)	Modems and other DCE devices with DB-25 female ports.
76000701	Digi TS DB-9M Modem Adapter (4-pk)	Modems and other DCE devices with DB-9 female ports.
76000692	Digi TS DB-25M Printer Adapter (4-pk)	For use with printers. This adapter differs from a console adapter in that it uses the DTR signal instead of RTS for hardware flow control.
76000631	Digi TS to Oracle Netra/Cisco Cable (single pk)	For use with Cisco and Oracle RJ-45 console ports. Also available in 8-pk and 16-pk quantities.
63000042-01	RJ-45 to RJ-45 Straight through Ethernet Cable	Can be used as a networking cable or combined with one of the adapters as a serial cable.

---

**Note** Cable adapters are 8-wire. If you are using these cable adapters with modems, or other applications that require Data Carrier Detect (DC) control, you must enable the alternate pinout setting, or ALTPIN, as shown in step 4.

---

### 6 Next steps

**Digi Technical Support:** Digi offers multiple technical support plans and service packages to help our customers get the most out of their Digi product. For information on Technical Support plans and pricing, contact us at 877.912.3444 or visit us at [www.digi.com/support](http://www.digi.com/support).