


	1	2	3	4	5	6	7	8	9	10	11	12
A												
B												
C												
D												
E												
F												
G												
H												

TXT1  
95017001  
LABEL  
TEXT

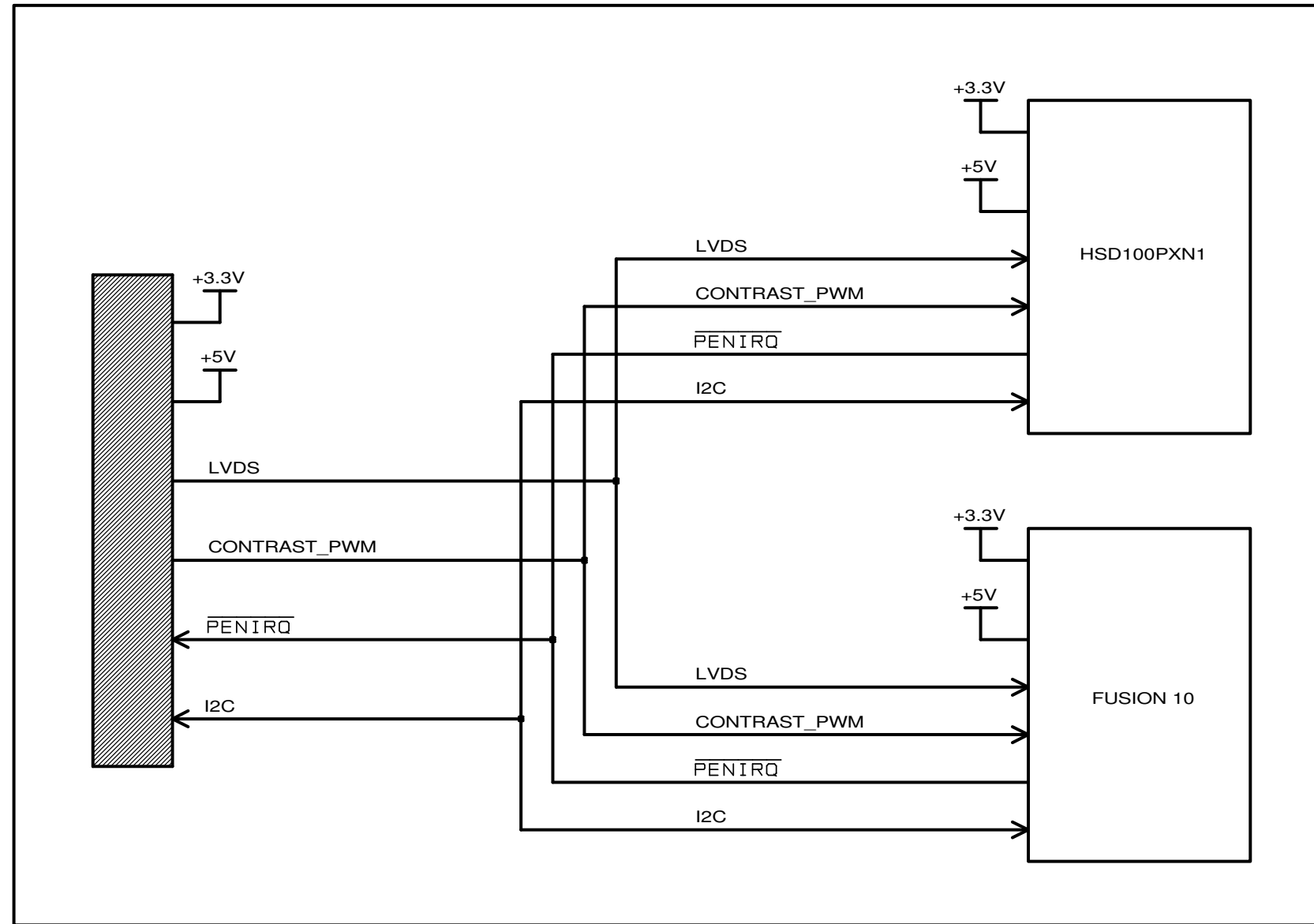
LBL1  
S/N

PCB1  
30014882-01  
PCB


E1  
30014888-01  
PREFERENCE

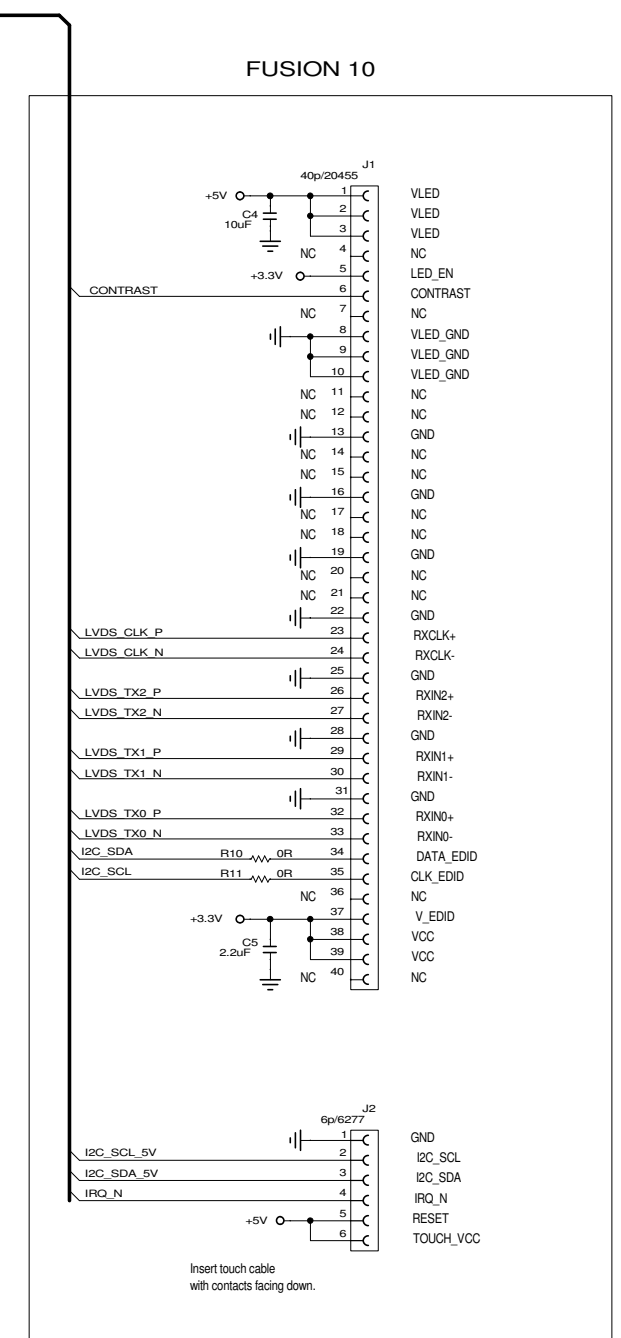
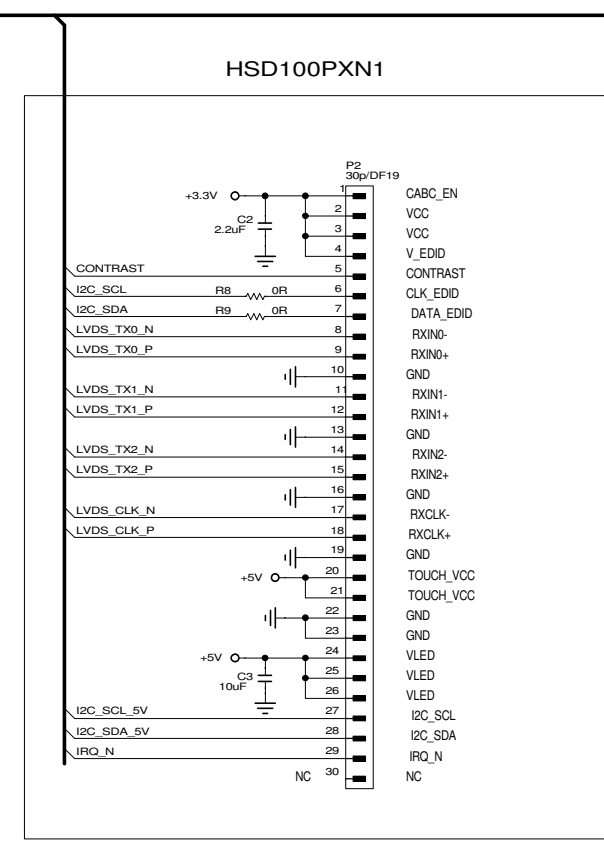
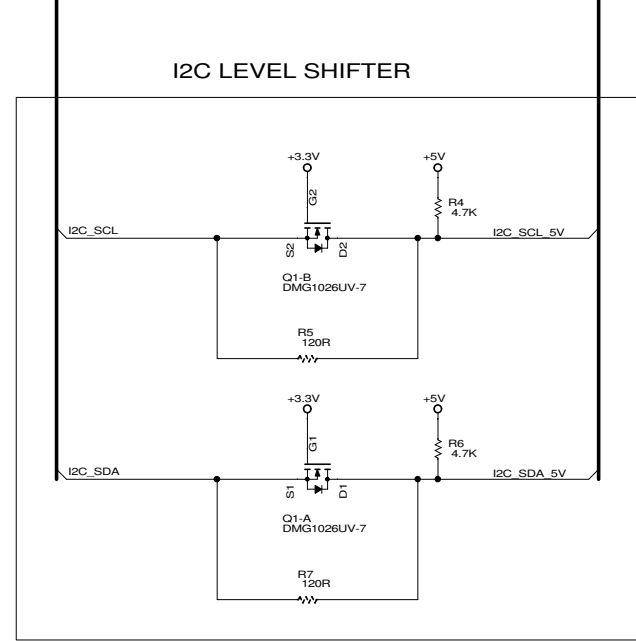
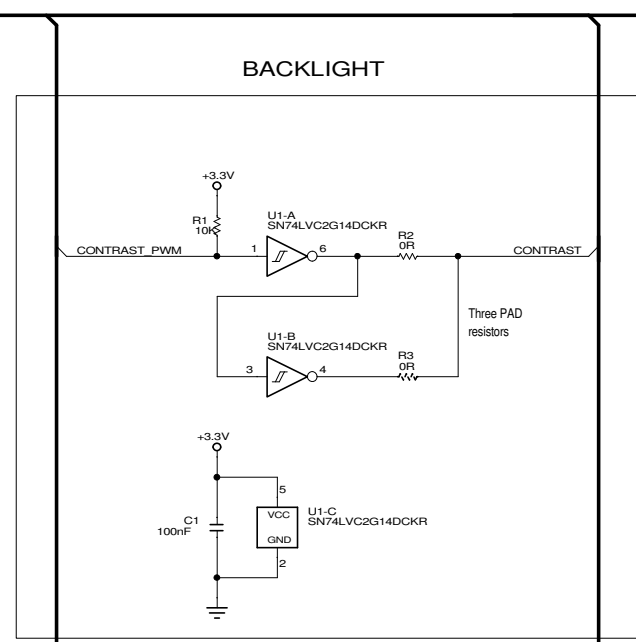
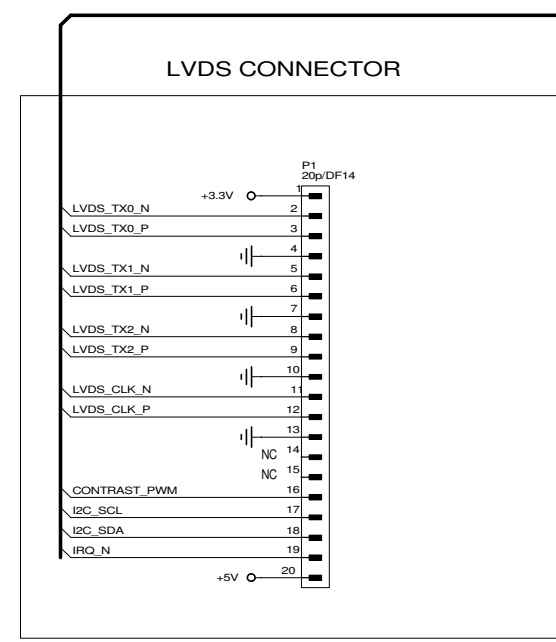
Usable for:				Filename: 3001488x-01_A.scm		
<b>CCWMX6_SBC_LVDS_ADPT</b> <small>PCA, LVDS, HR, LCD, APPKIT</small>						
				Date	Name	<b>Mechanicals</b>
			Designer	12.05.14	DA	
			Approved			
			ISO			
						Partnumber:
						<b>55001819-01 RevA</b>
						Sheet 0 of 2
Rev.	Modification	Date	Name			Provided for:
						Provided by:

# CCWMX6\_SBC\_LVDS\_ADPT



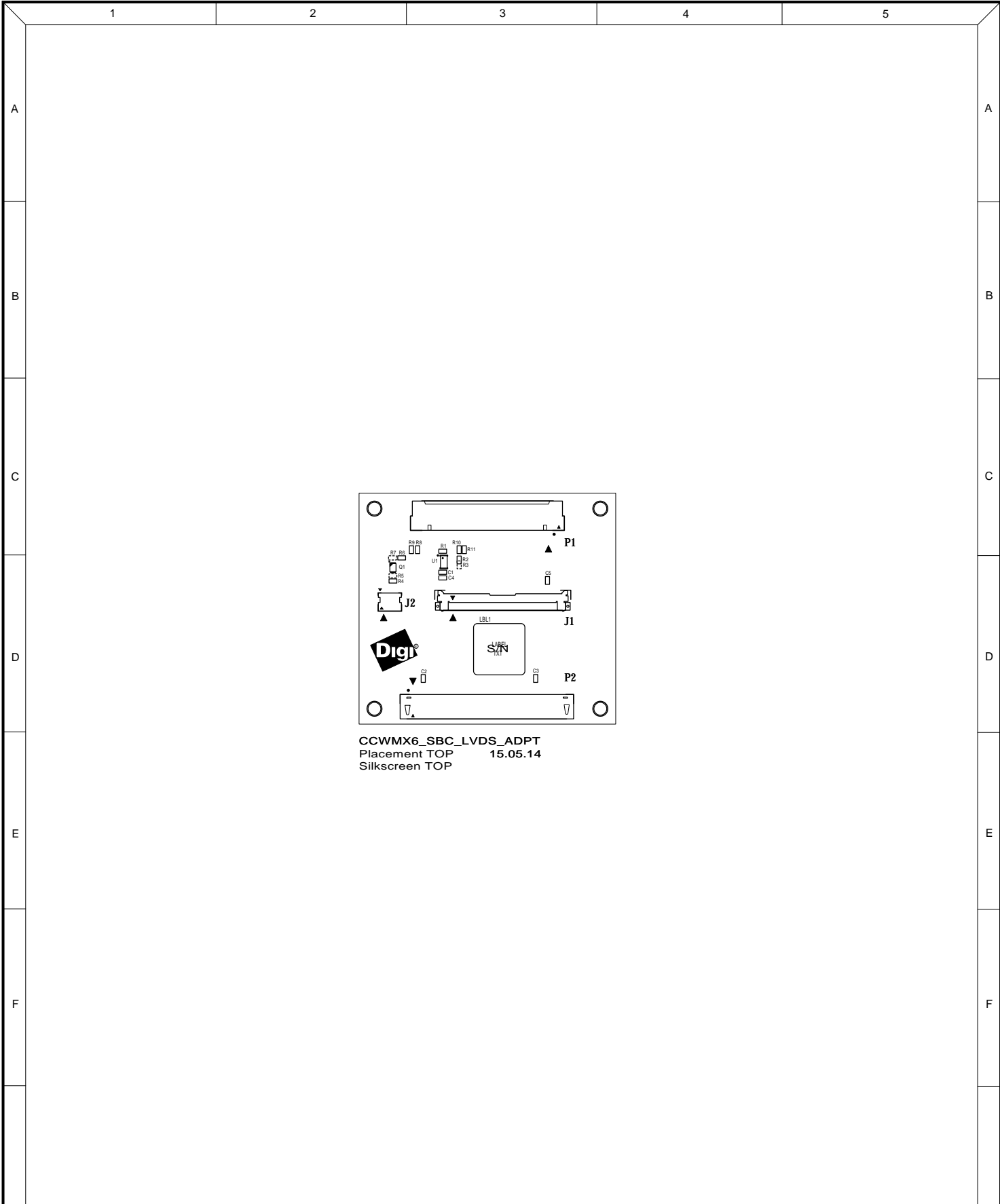
© Digi International Inc.

Usable for:				Filename: 3001488x-01_A.scm		
				<b>CCWMX6_SBC_LVDS_ADPT</b> PCA, LVDS, HR, LCD, APPKIT		
				Title: Overview		
				Partnumber: 55001819-01 RevA		
				Sheet 1 of 2		
				Provided for: Provided by:		
Rev.	Modification	Date	Name			
A	NPR003826	25.06.2014	DA			
01	RevA: Initial Layout	12.05.2014	DA			




Usable for:				Filename: 3001488x-01_A.scm													
<table border="1"> <thead> <tr> <th>Designer</th> <th>Date</th> <th>Name</th> </tr> </thead> <tbody> <tr> <td>DA</td> <td>12.05.14</td> <td>DA</td> </tr> <tr> <td>Approved</td> <td></td> <td></td> </tr> <tr> <td>ISO</td> <td></td> <td></td> </tr> </tbody> </table>				Designer	Date	Name	DA	12.05.14	DA	Approved			ISO			<b>CCWMX6_SBC_LVDS_ADPT</b> PCA, LVDS, HR, LCD, APPKIT	
				Designer	Date	Name											
				DA	12.05.14	DA											
Approved																	
ISO																	
<b>CCWMX6_SBC_LVDS_ADPT</b>																	
Rev.    Modification    Date    Name				Partnumber: <b>55001819-01 RevA</b>													
A    NPR003826    25.06.2014    DA				Sheet 2 of 2													
01    RevA: Initial Layout    12.05.2014    DA				Provided for:    Provided by:													





CCWMX6\_SBC\_LVDS\_ADPT  
Placement TOP 15.05.14  
Silkscreen TOP

Usable for:				Scale: 1:1		Filename: 3001488x-01_A.pcb		
				<b>CCWMX6_SBC_LVDS_ADPT</b> <small>PCA, LVDS, HR, LCD, APPKIT</small>				
				Designer	Date	Name	Title:  Placement TOP Side	
				Approved	15.05.2014	DA		
				ISO				
						Partnumber:		
A	NPR003826	25.06.14	DA			55001819-01 RevA		Sheet 1
01	Rev01: Initial Layout	15.05.14	DA					of 1
Rev.	Modification	Date	Name	Provided for:		Provided by:		