

ConnectCore for i.MX6 System Board Computer

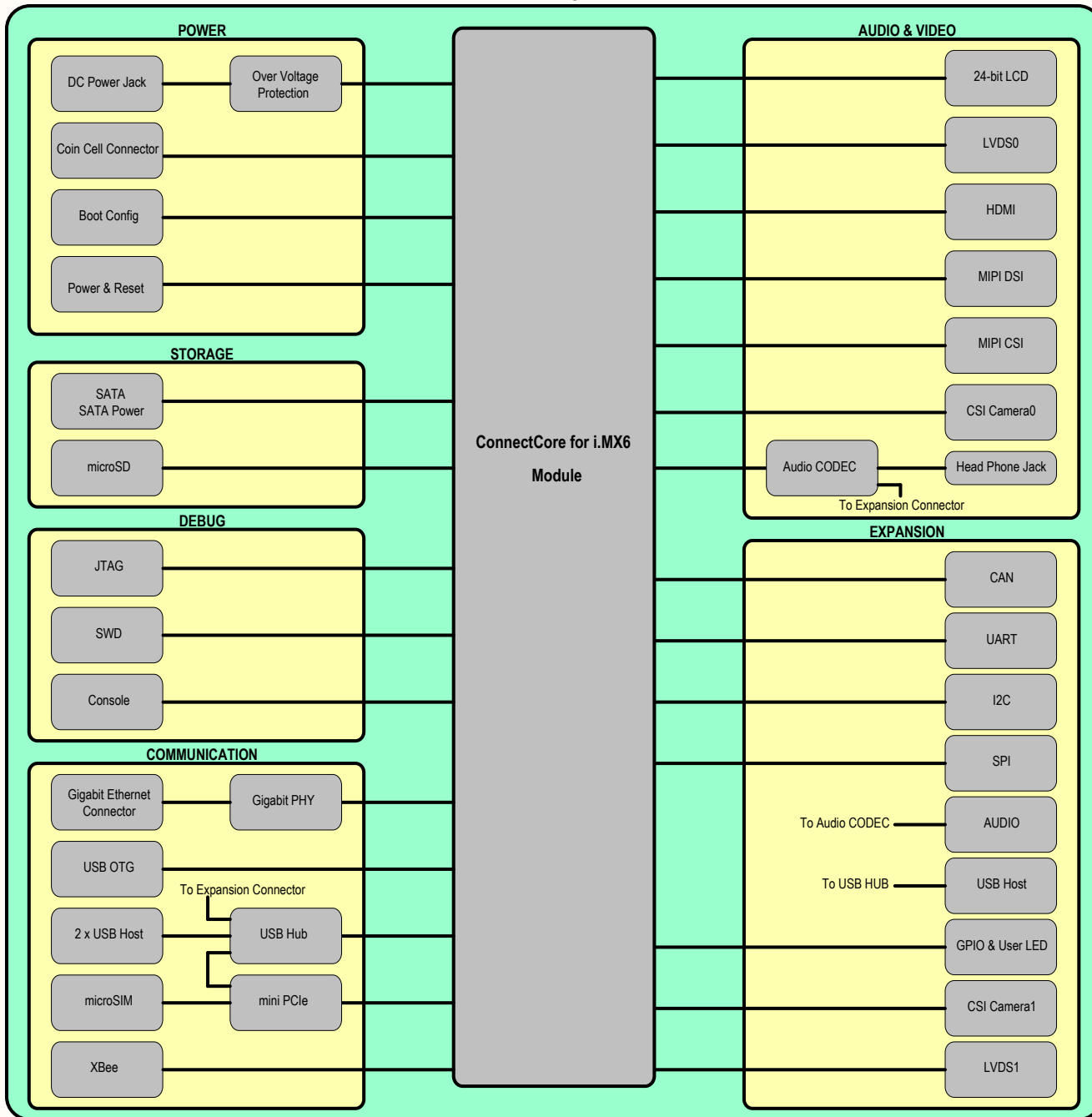
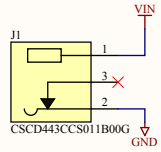


Table of Content

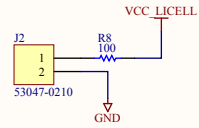
Page	Name
Page 1	Block Diagram
Page 2	ConnectCore for i.MX6 Module
Page 3	Power, boot
Page 4	SATA, microSD
Page 5	JTAG, SWD, Console, UART
Page 6	Gigabit Ethernet, mini PCIe, microSIM
Page 7	USB OTG, USB HUB, USB Host
Page 8	Displays, HDMI, Cameras
Page 9	Audio
Page 10	CAN, I2C, XBee
Page 11	Expansion Connectors and User LEDs
Page 12	GPIO Table, System Power Rails
Page 13	History, Mechanical

Supply Inputs

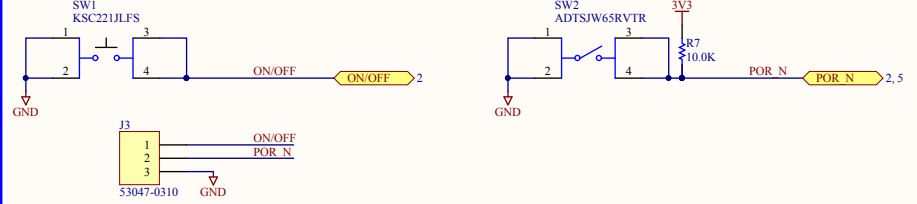
3.5V to 5.5V



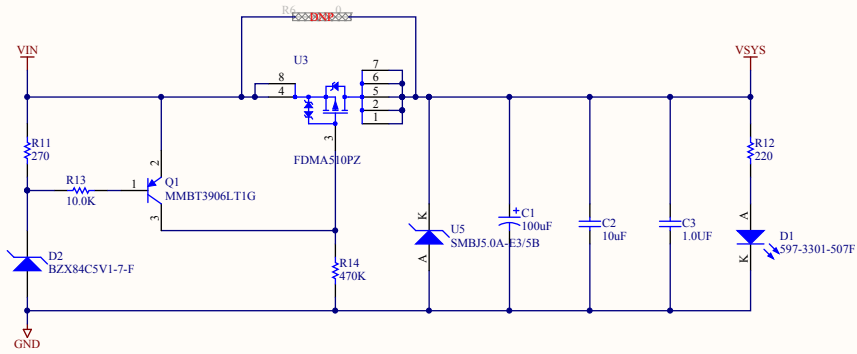
Coin Cell



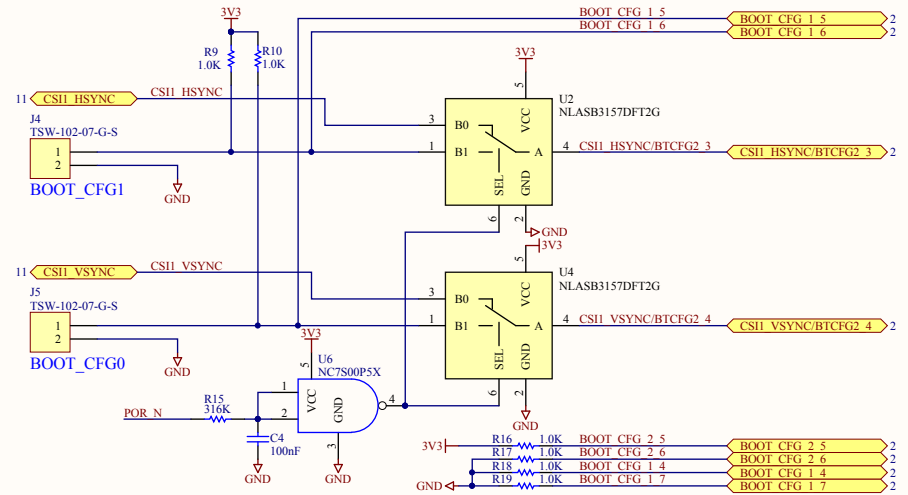
Power and Reset



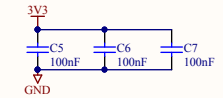
Over Voltage Protection



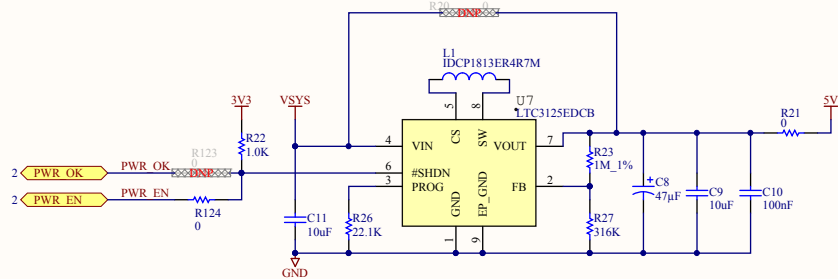
Boot Configuration



BOOT_CFG1	BOOT_CFG0	Description
1 (open)	1 (open)	Boot from eMMC
1 (open)	0 (close)	Boot from microSD
0 (close)	1 (open)	Boot from SATA
0 (close)	0 (close)	Reserved

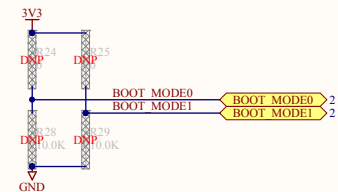


5V Regulator



Boot Mode

BOOT_MODE1	BOOT_MODE0	Description
0	0	Boot from Fuses
0	1	Serial Downloader
1	0	Boot from board settings
1	1	Reserved



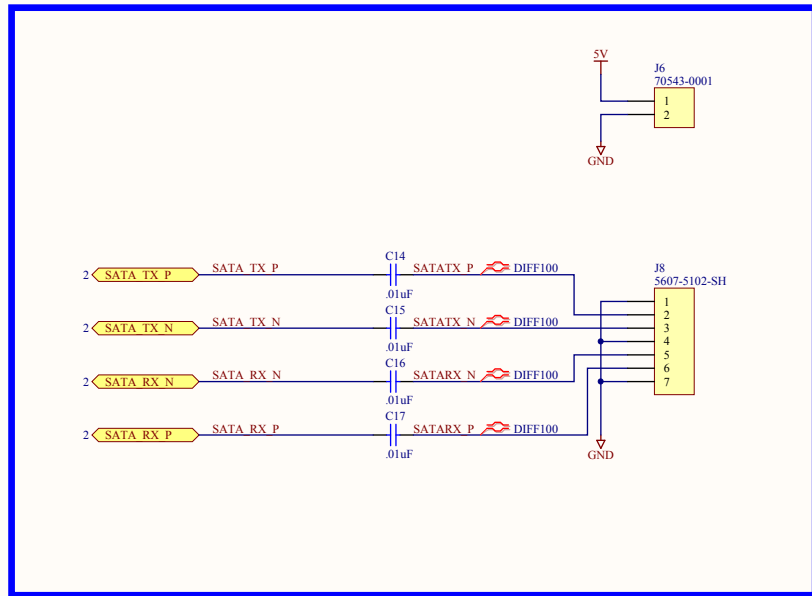
Title: Power, Boot

Designer: Daniel Alesanco Sheet 3 of 13

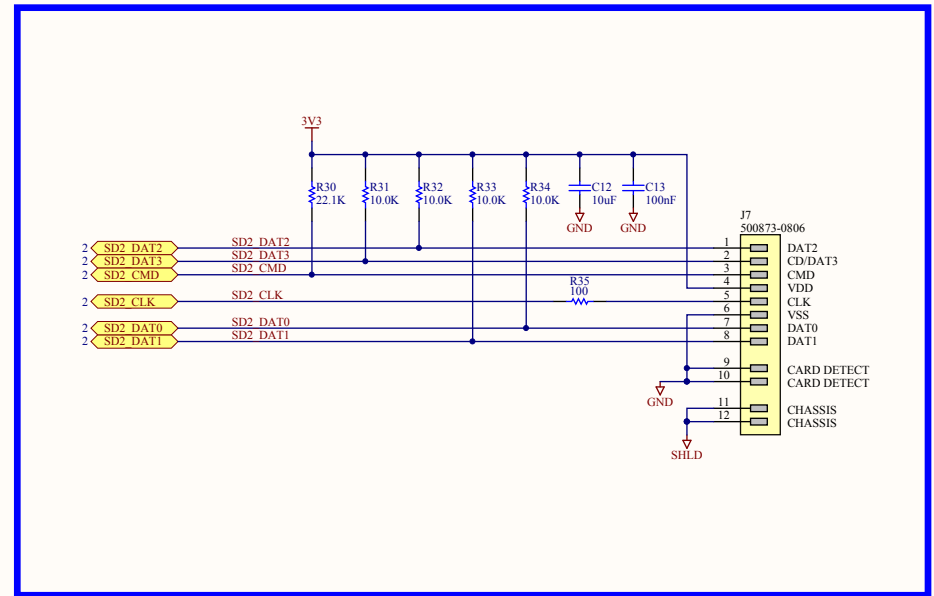
Variant: 5001809-01 Rev. 0.1

Description: Description

SATA



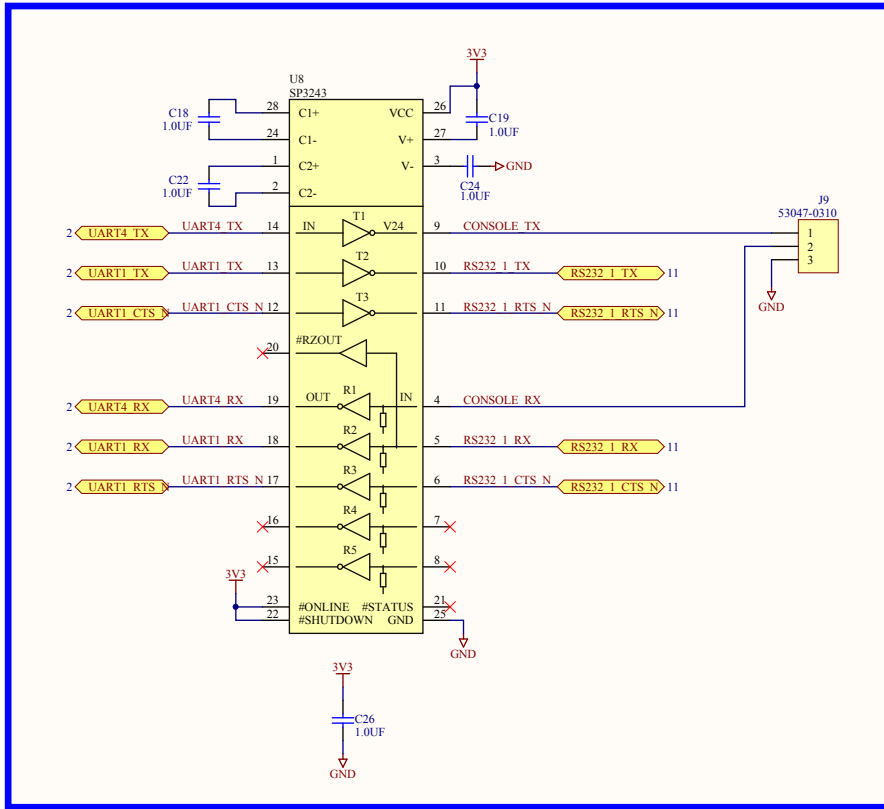
microSD



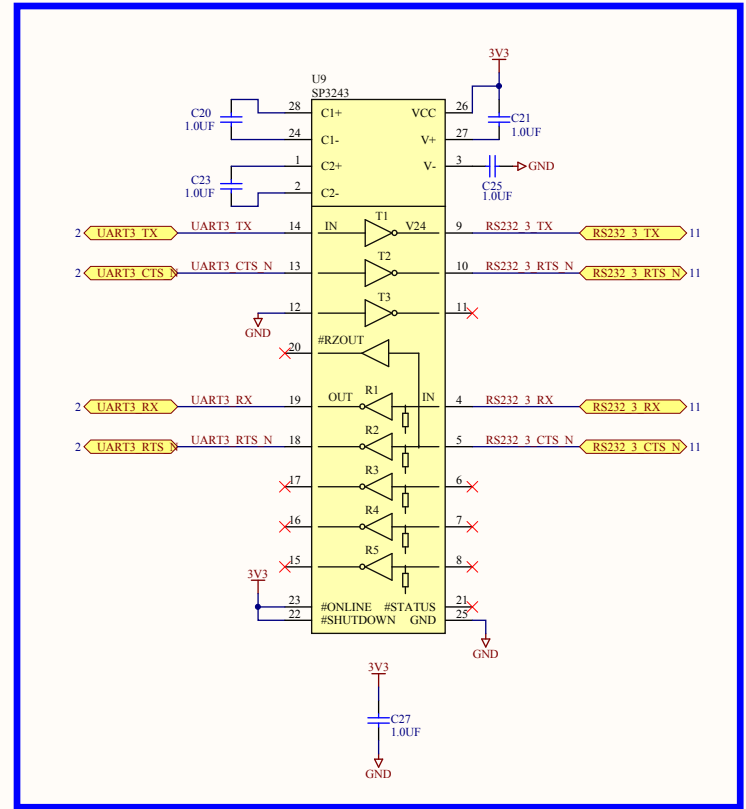
Title: SATA, microSD	
Designer: Daniel Alesanco	Sheet: 4 of 13
Variant: 55001809-01	Rev: 0.1
Description: Description	



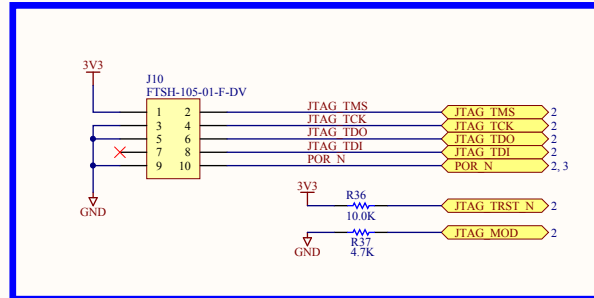
Console and UART1



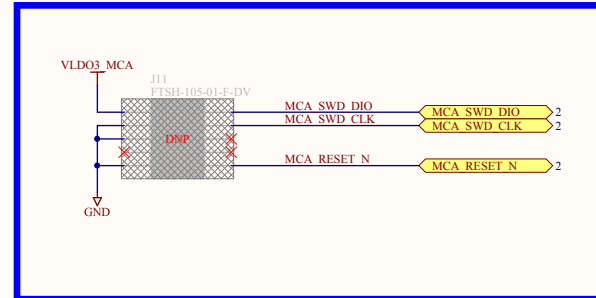
UART 3



JTAG



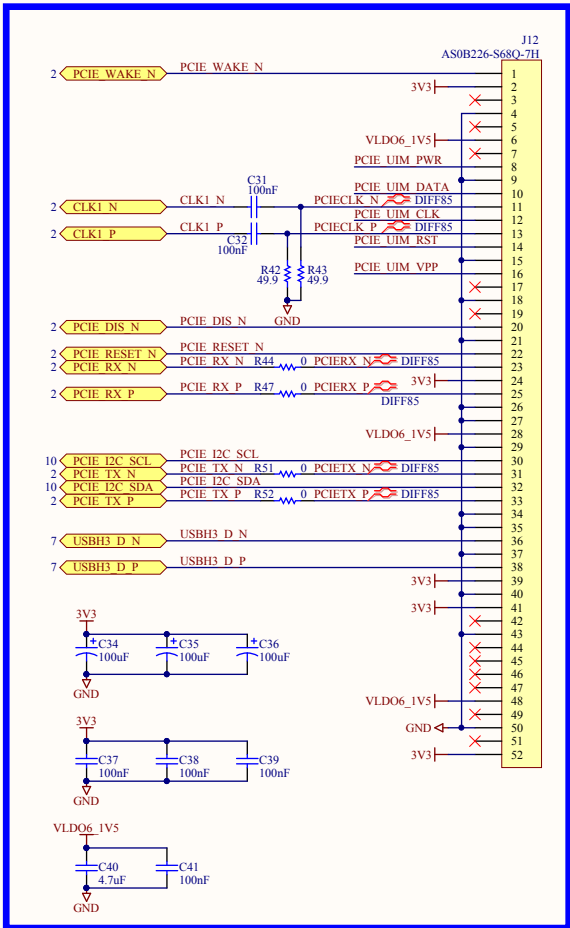
SWD



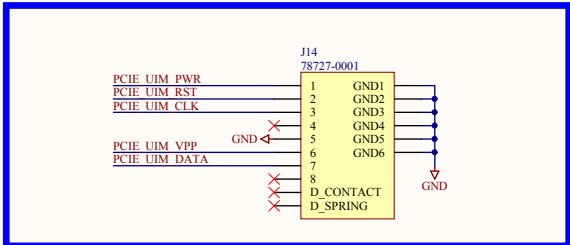
Title: JTAG, SWD, Console, UART	
Designer: Daniel Alesanco	Sheet: 5 of 13
Variant: 5001809-01	Rev: 0.1
Description: Description	



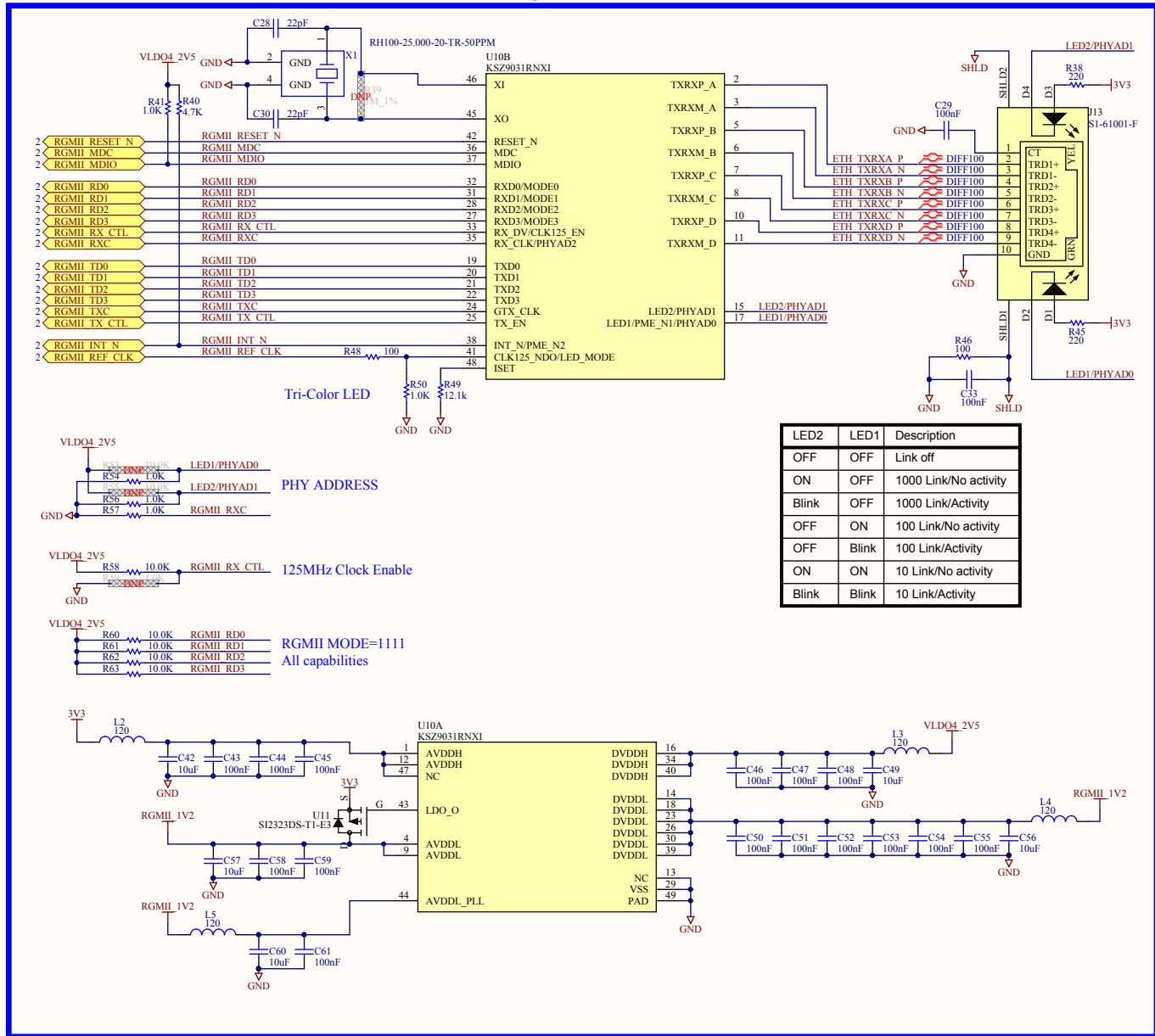
miniPCIe



micro SIM

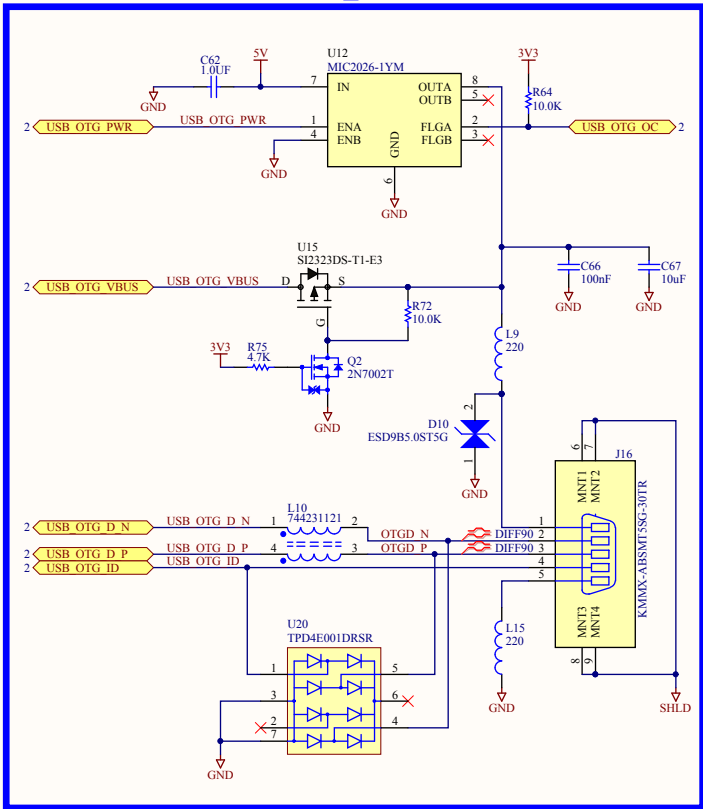


Gigabit Ethernet

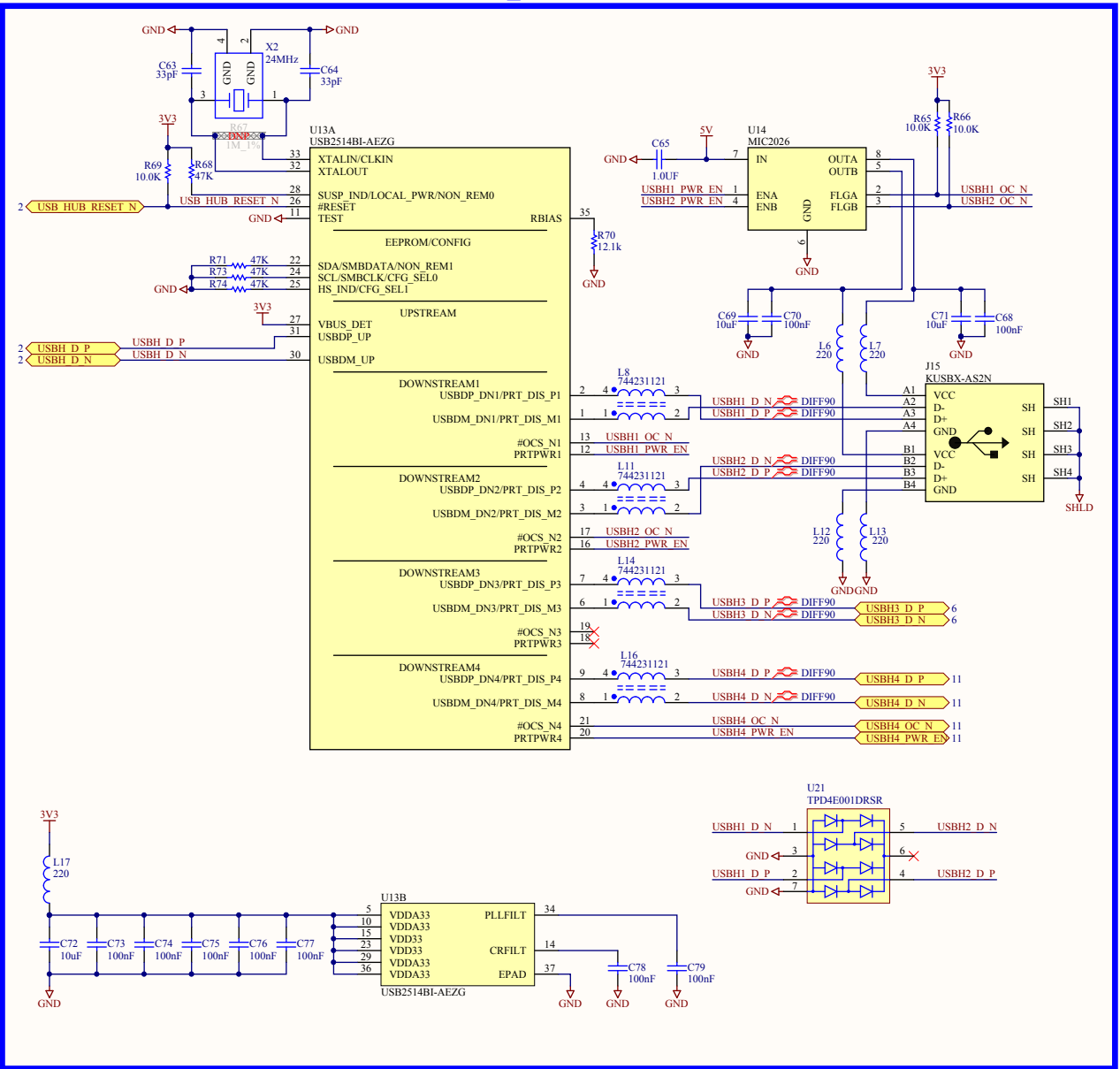


LED2	LED1	Description
OFF	OFF	Link off
ON	OFF	1000 Link/No activity
Blink	OFF	1000 Link/Activity
OFF	ON	100 Link/No activity
OFF	Blink	100 Link/Activity
ON	ON	10 Link/No activity
Blink	Blink	10 Link/Activity

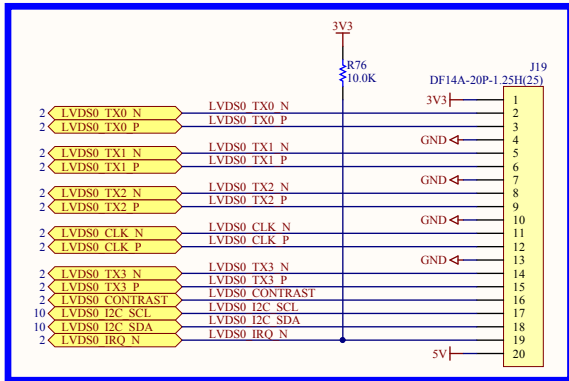
USB_OTG



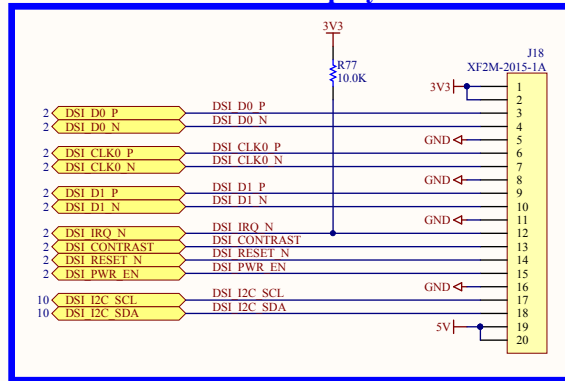
USB_HOST



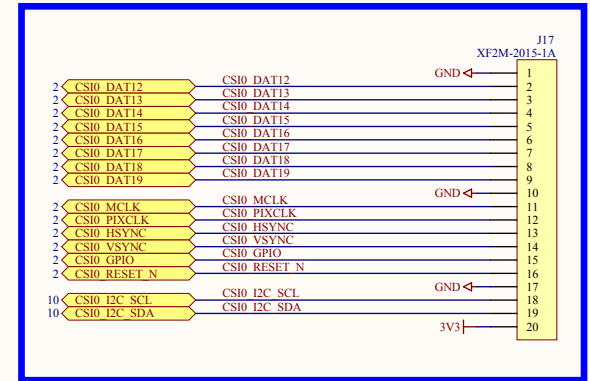
LVDS0



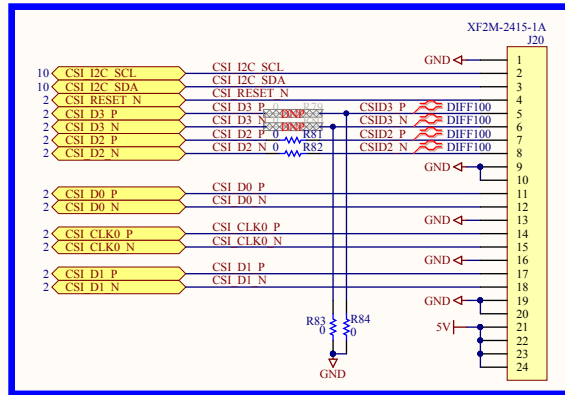
MIPI Display



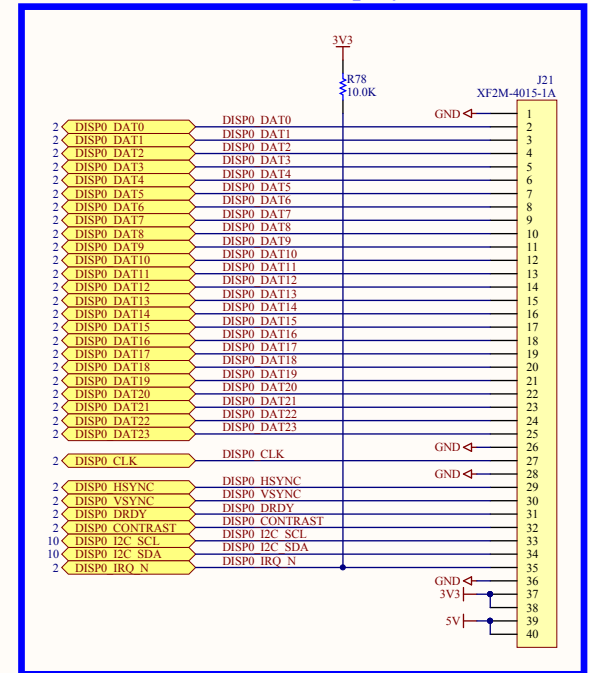
Parallel Camera 0



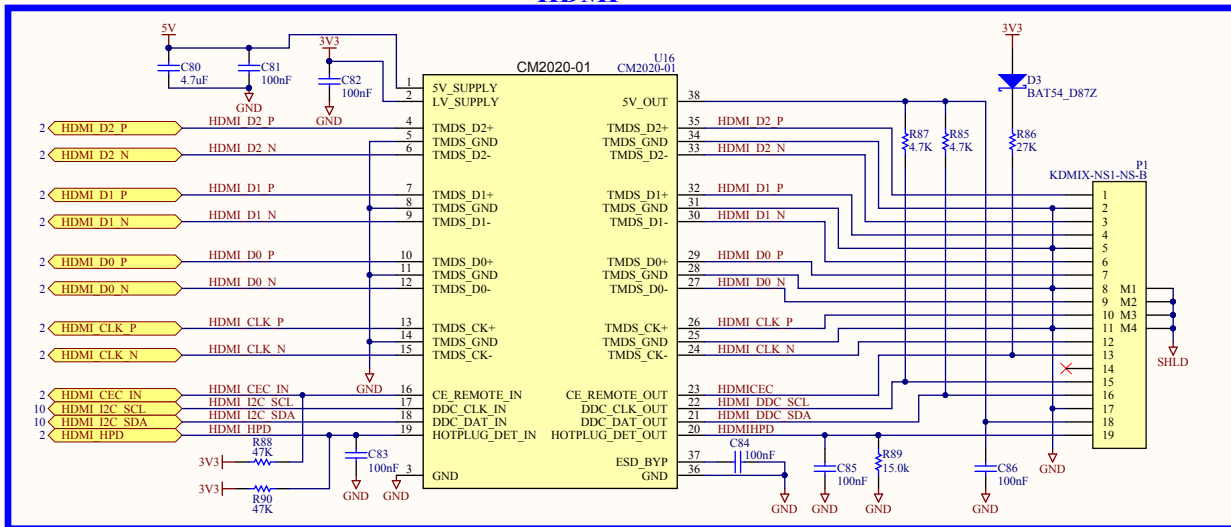
MIPI Camera



Parallel Display 0



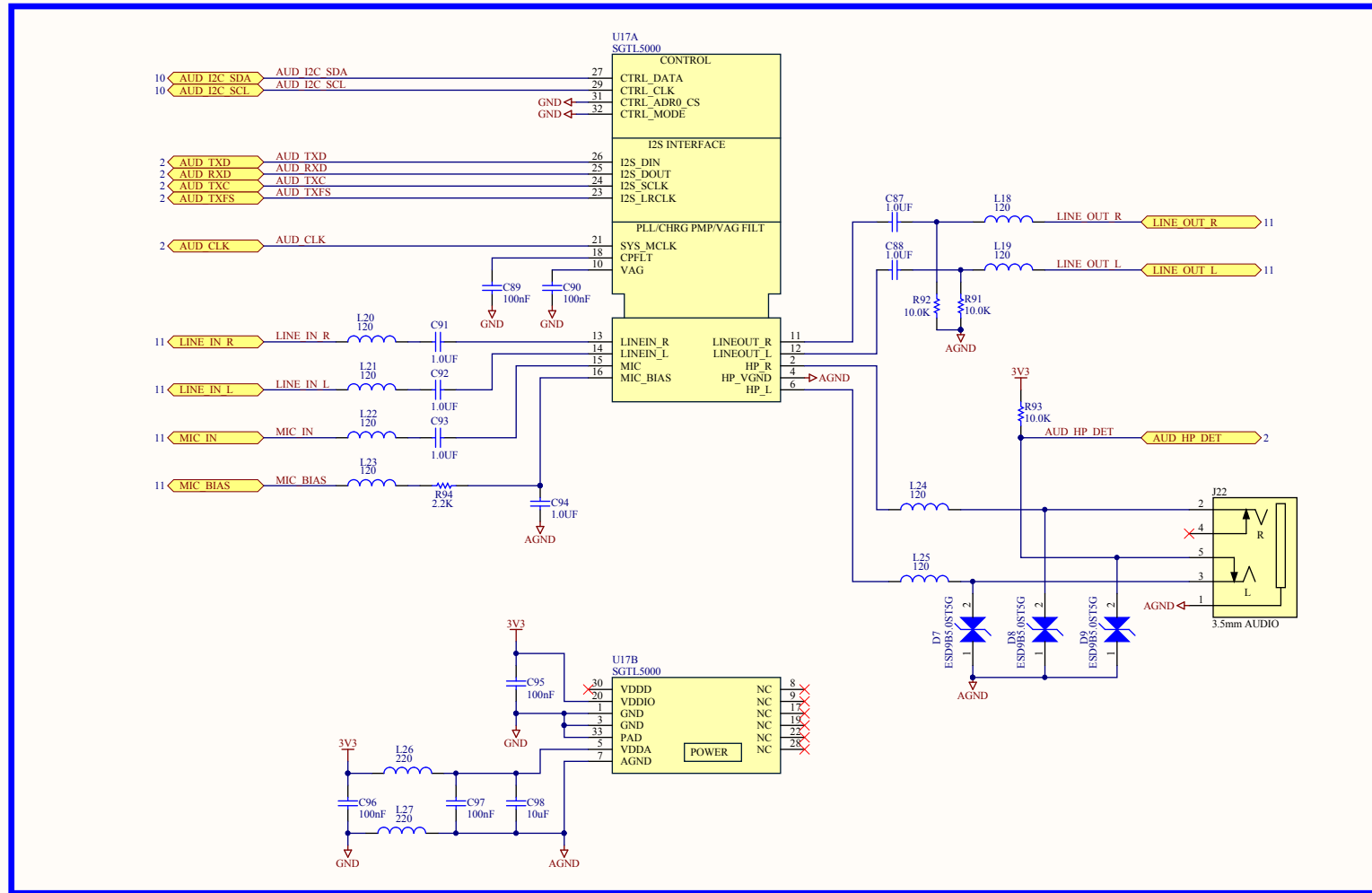
HDMI



Title: Displays, HDMI, Camera	
Designer: Daniel Alesanco	Sheet: 8 of 13
Variant: S5001809-01	Rev: 0.1
Description: Description	

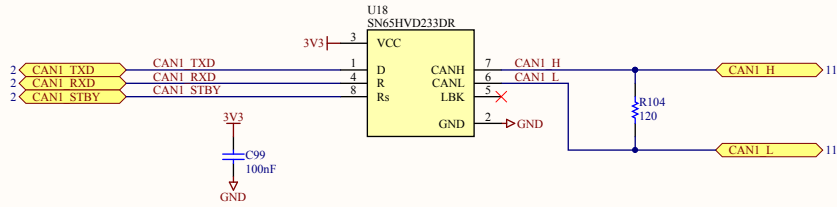


AUDIO

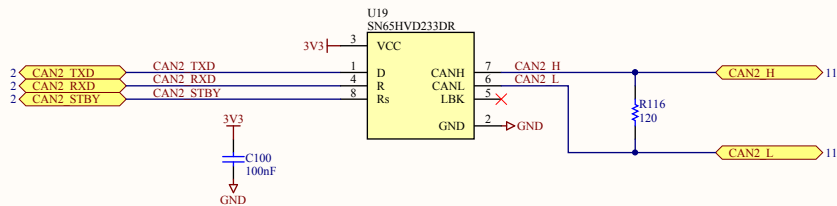


Title: Audio	
Designer: Daniel Alesanco	Sheet: 9 of 13
Variant: S5001809-01	Rev: 0.1
Description: Description	

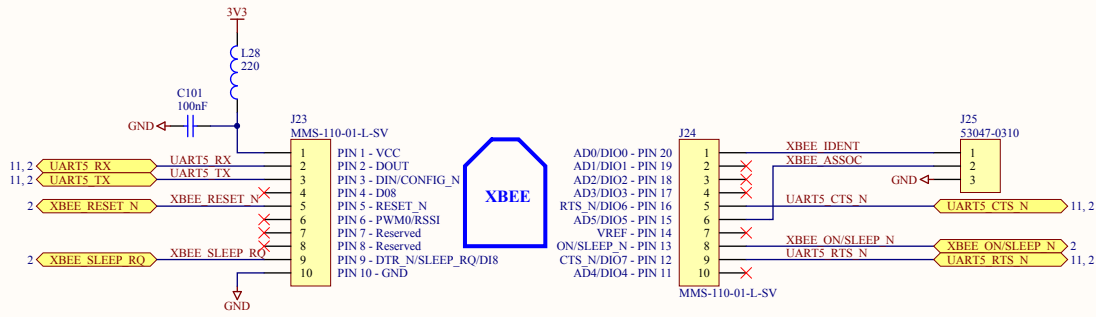
CAN1



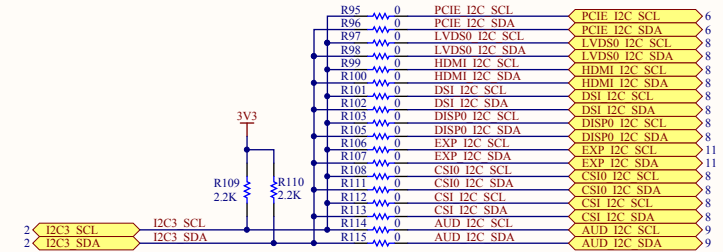
CAN2



XBee



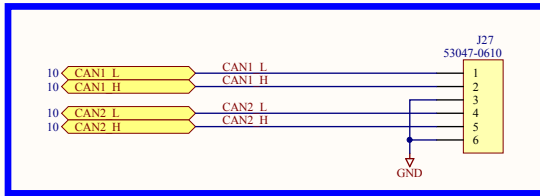
I2C



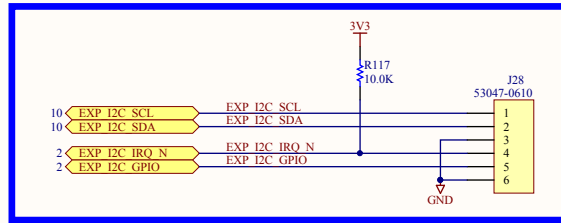
I2C3 (3.3V)

Peripheral	Speed (kbps)	Addresses (hex)	Default Address (hex)
PCIe Port	TBD	TBD	TBD
LVDS0 Touch	TBD	TBD	TBD
HDMI EDID	100	0x50	0x50
MIPI Display	TBD	TBD	TBD
LCD Touch	TBD	TBD	TBD
Expansion Port	TBD	TBD	TBD
CSI0 Camera	TBD	TBD	TBD
MIPI Camera	TBD	TBD	TBD
Audio CODEC	400	Write : 0x14 Read : 0x15	Write : 0x14 Read : 0x15

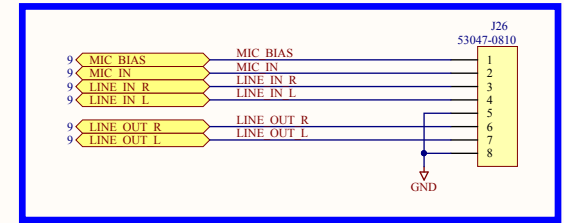
CAN



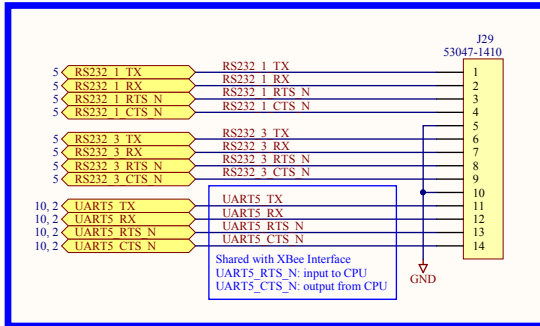
I2C



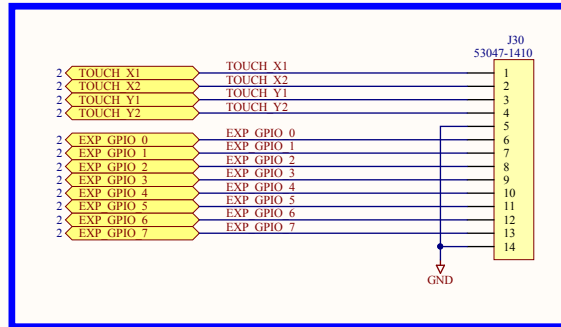
AUDIO



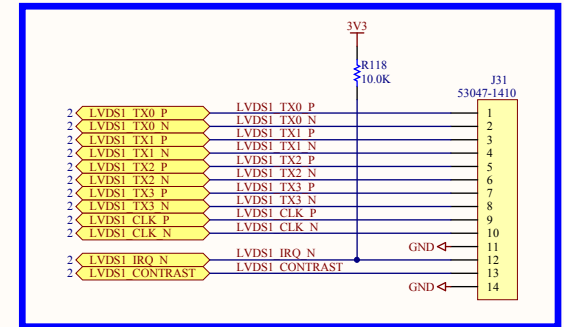
UART



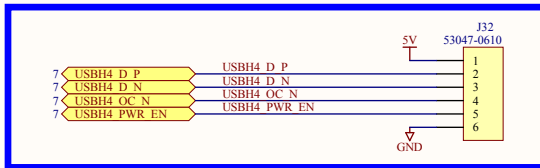
GPIO



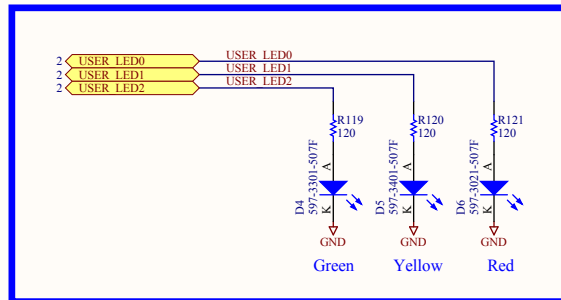
LVDS



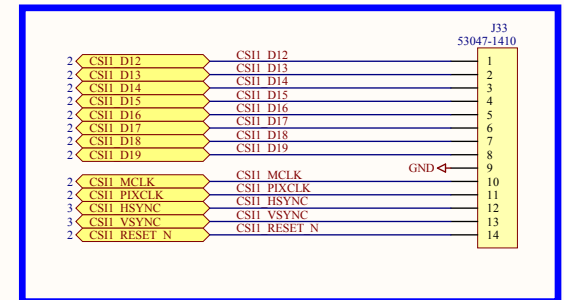
USB



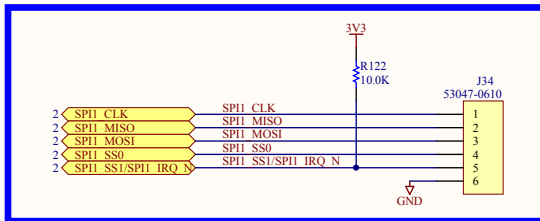
USER LEDs



Parallel Camera



SPI



System Power Rails

Voltage (V)	Supply Name	Block	Generated by	Current Capability (mA)	Notes
5.0	5V_IN	Overvoltage Prot	External DC supply		
	5V	USB Host	LTC3125	1200	
		USB OTG			
		SATA			
		HDMI			
		LVDS0			
		MIPI DSI			
		MIPI CSI			
		LCD			
		3.3			
microSD					
UART					
JTAG					
ETHERNET					
miniPCIE					
AUDIO					
CAN1/2					
XBee					
I2C					
LVDS0					
MIPI DSI					
Parallel Camera					
Parallel Display					
HDMI					
VLDO3_MCA	MCA	DA9063 LDO3	200	MCA_VREFH	
3.0	VCC_LICELL	RTC	External Coin Cell		
2.5	VLDO4_2V5	ETHERNET	DA9063 LDO4	200	NVCC_ENET NVCC_RGMII
1.5	VLDO6_1V5	miniPCIE	DA9063 LDO6	200	

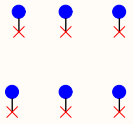
GPIO Table

Signal Name	GPIO	Use
CSIO_DATA_EN	GPIO_5_20	CSIO_GPIO
EIM_BCLK	GPIO_6_31	DSI_PWR_EN
EIM_CS1	GPIO_2_24	EXP_GPIO_3
EIM_D23	GPIO_3_23	LVDS1_PEN_IRQ_N
EIM_D26	GPIO_3_26	DSI_RESET
EIM_D27	GPIO_3_27	XBEE_ON/SLEEP_N
EIM_D28	GPIO_3_28	XBEE_RESET_N
EIM_D29	GPIO_3_29	XBEE_SLEEP_RQ
EIM_DA10	GPIO_3_10	USB_HUB_RESET_N
EIM_DA15	GPIO_3_15	CSI1_RESET_N
EIM_EB0	GPIO_2_28	EXP_GPIO_4
EIM_EB1	GPIO_2_29	EXP_GPIO_5
EIM_LBA	GPIO_2_27	DSI_IRQ_N
EIM_WAIT	GPIO_5_0	CSIO_RESET_N
ENET_CRS_DV	GPIO_1_25	RGMII_RESET_N
ENET_TX_EN	GPIO_1_28	RGMII_INT_N
GPIO_2	GPIO_1_2	CAN1_STBY
GPIO_4	GPIO_1_4	PCIE_DIS_N
GPIO_5	GPIO_1_5	CAN2_STBY
GPIO_9	GPIO_1_9	BT_DISABLE_N
GPIO_16	GPIO_7_11	LVDS0_PEN_IRQ_N
GPIO_18	GPIO_7_13	EXP_GPIO_6
GPIO_19	GPIO_4_5	EXP_GPIO_7
NANDF_CS2	GPIO_6_15	EXP_I2C_IRQ_N
NANDF_CS3	GPIO_6_16	EXP_I2C_GPIO
NANDF_D0	GPIO_2_0	AUD_HP_DET
NANDF_D1	GPIO_2_1	DISP_IRQ
NANDF_D2	GPIO_2_2	USER_LED0
NANDF_D3	GPIO_2_3	USER_LED1
NANDF_D4	GPIO_2_4	USER_LED2
NANDF_D5	GPIO_2_5	EXT_GPIO_0
NANDF_D6	GPIO_2_6	EXT_GPIO_1
NANDF_D7	GPIO_2_7	EXT_GPIO_2
SD3_DAT2	GPIO_7_6	CSI_RESET_N
SD3_DAT3	GPIO_7_7	PCIE_WAKE_N
PMIC_GPIO7	PMIC_GPIO7	PWR_EN

Title: History, Mechanicals	
Designer: Daniel Alesanco	Sheet: 13 of 13
Variant: 55001809-01	Rev: 0.1
Description: Description	



3000119



1 2 3 4 5 6 7 8

A

A

B

B

C

C

D

D

1 2 3 4 5 6 7 8