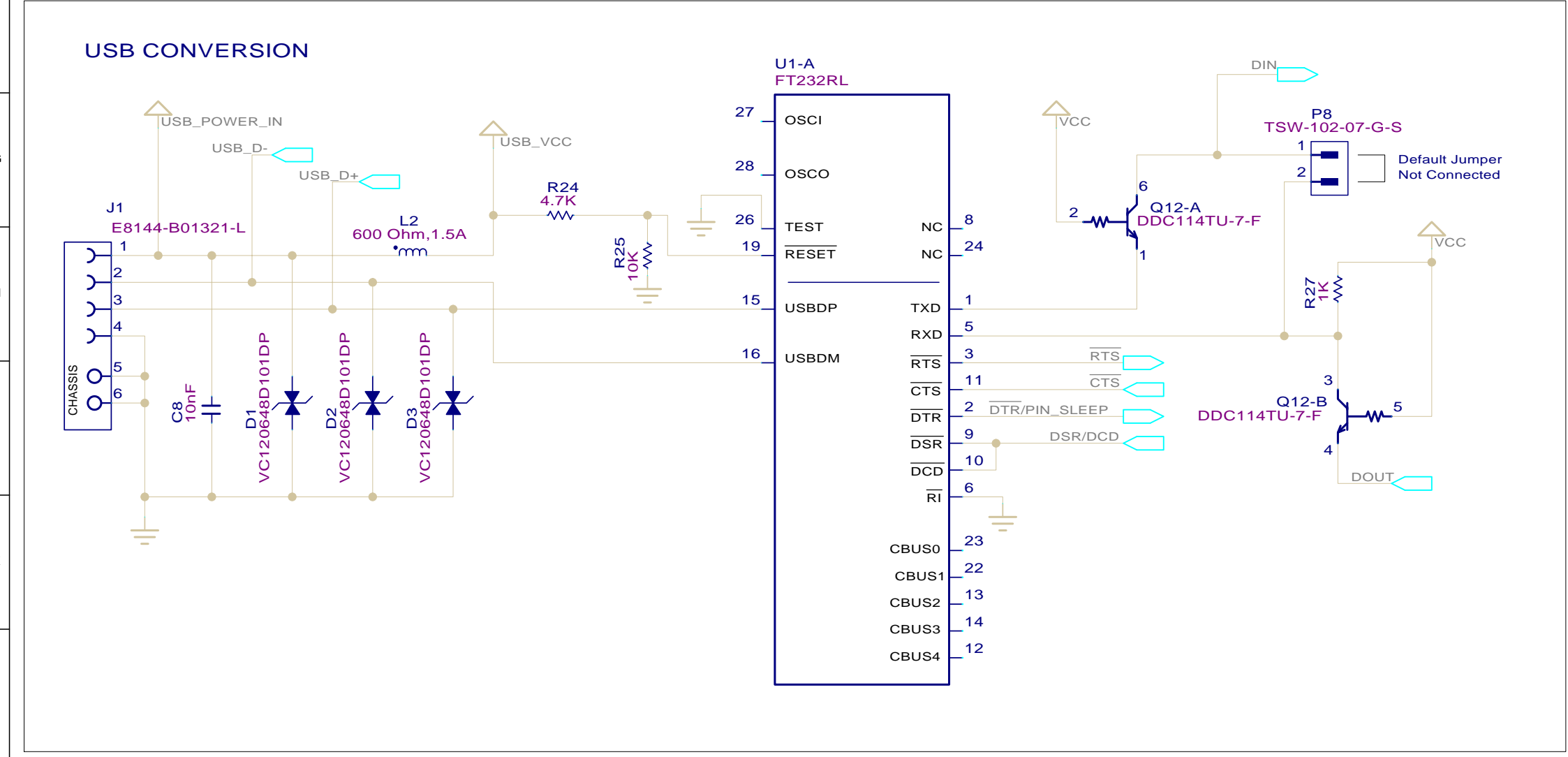
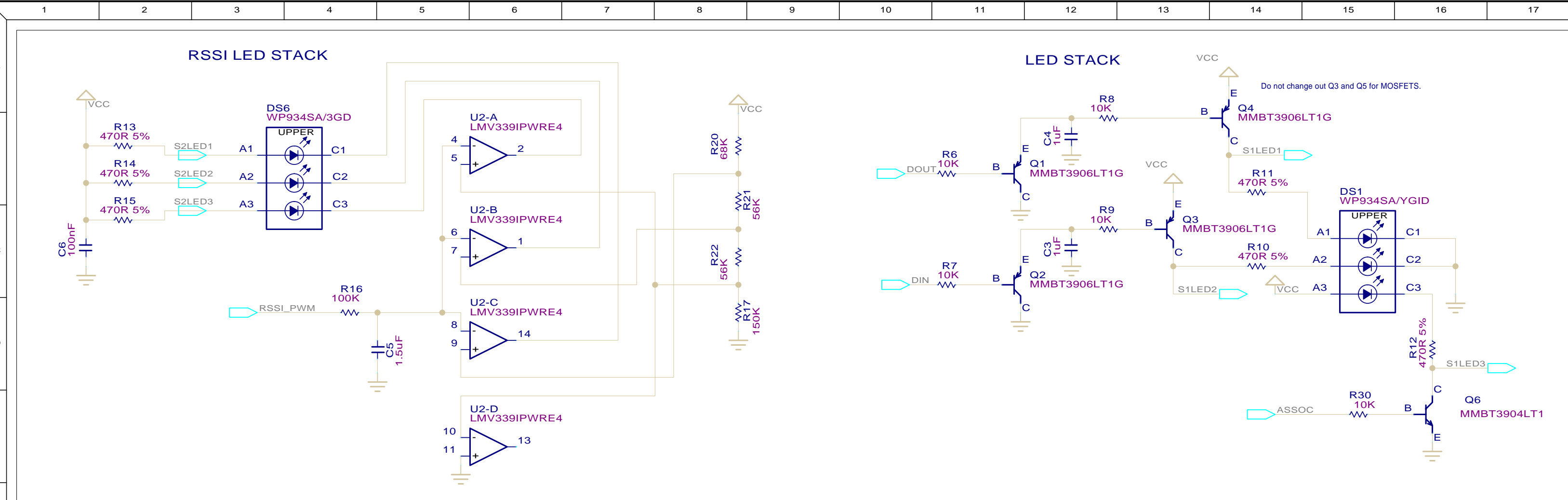


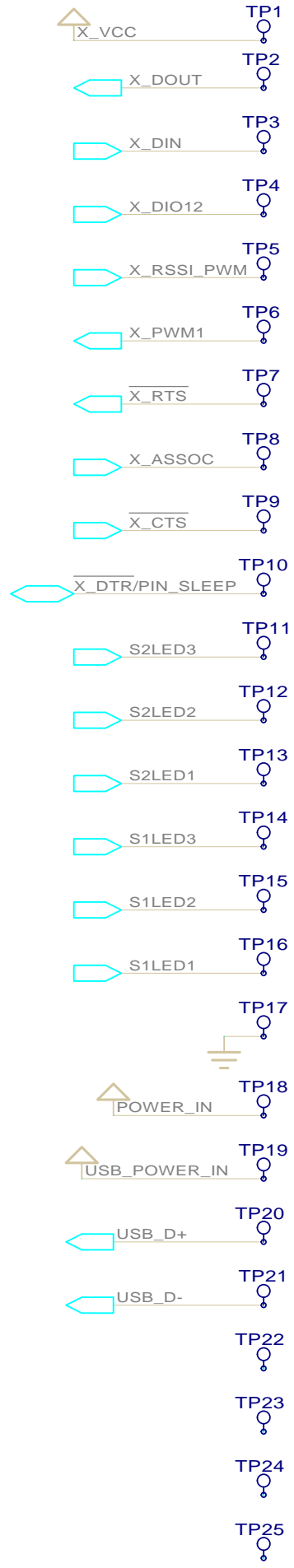
REV	ECO	DESCRIPTION OF CHANGE	BY	CKD	APPR	DATE

APPROVALS:	DATE:	TITLE XBee Interface Board XBIB-U-DEV_TH TH/SMT Hybrid
DESIGNED:	xx/xx/xx	
DRAWN:	xx/xx/xx	
CHECKED:	xx/xx/xx	
ENGINEER:	xx/xx/xx	
Part No. 55001551-02		REV. D
Digi International Inc. All rights reserved.		DO NOT SCALE DRAWING SHEET 1 of 5

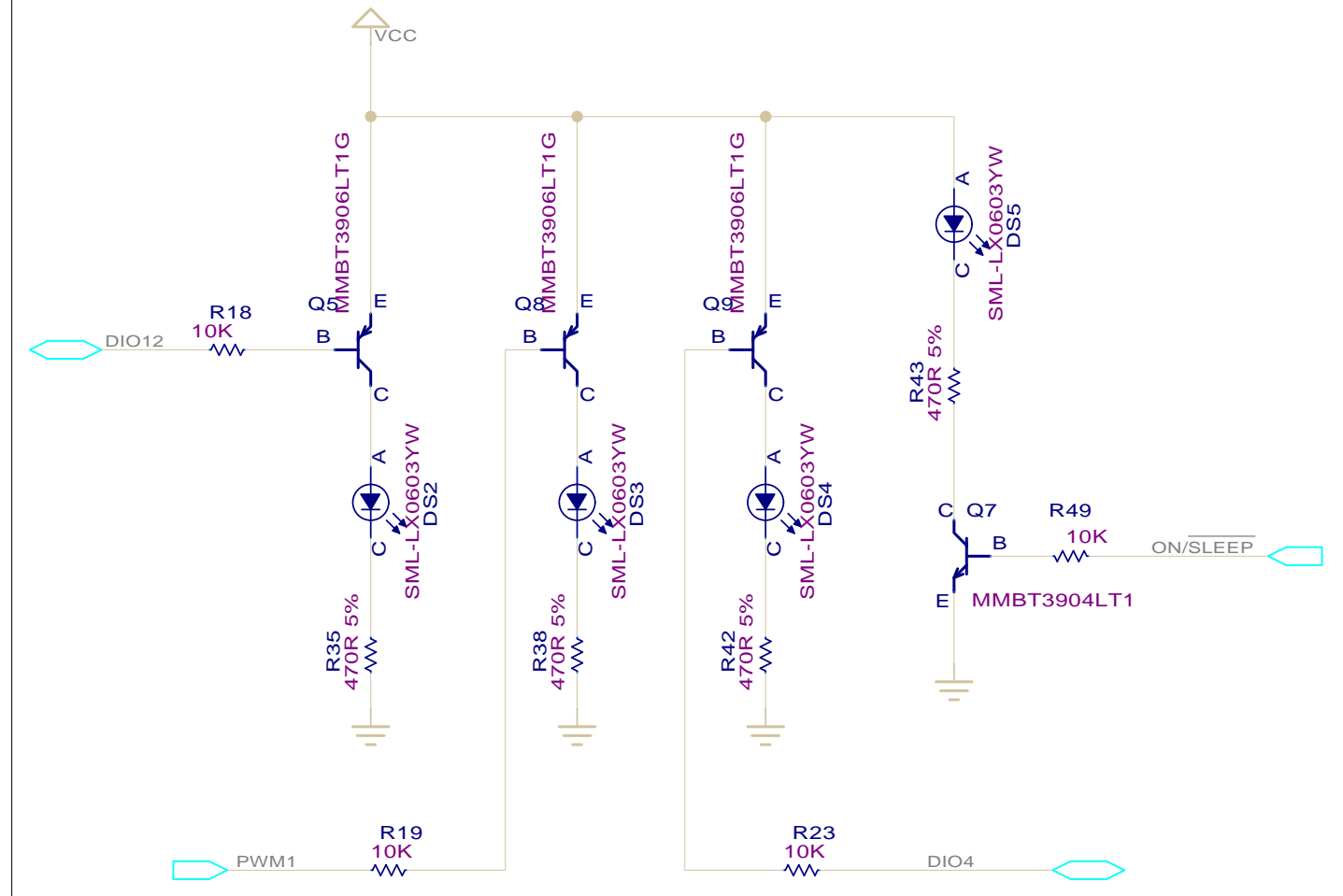


REV	ECO	DESCRIPTION OF CHANGE	BY	CKD	APPR	DATE	
APPROVALS:		DATE:	TITLE				
DESIGNED:		xx/xx/xx	Xbee Interface Board				
DRAWN:		xx/xx/xx	XBIB-U-DEV_TH				
CHECKED:		xx/xx/xx	TH/SMT Hybrid				
ENGINEER:		xx/xx/xx	PART NO.		REV.		
			55001551-02		D		
© Digi International Inc. All rights reserved.						DO NOT SCALE DRAWING	SHEET 2 of 5

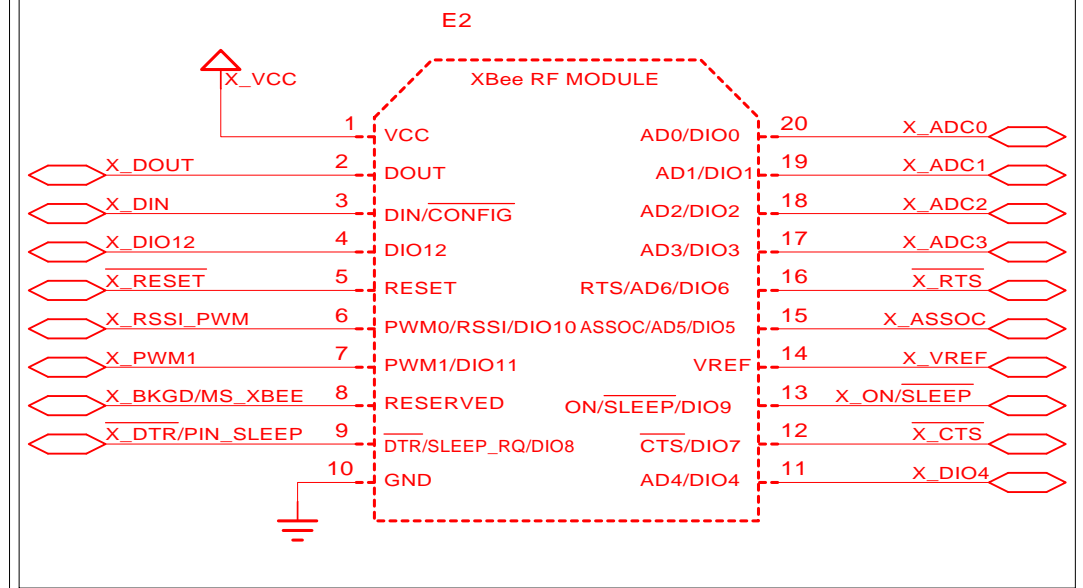
TESTPOINTS



SM LEDS

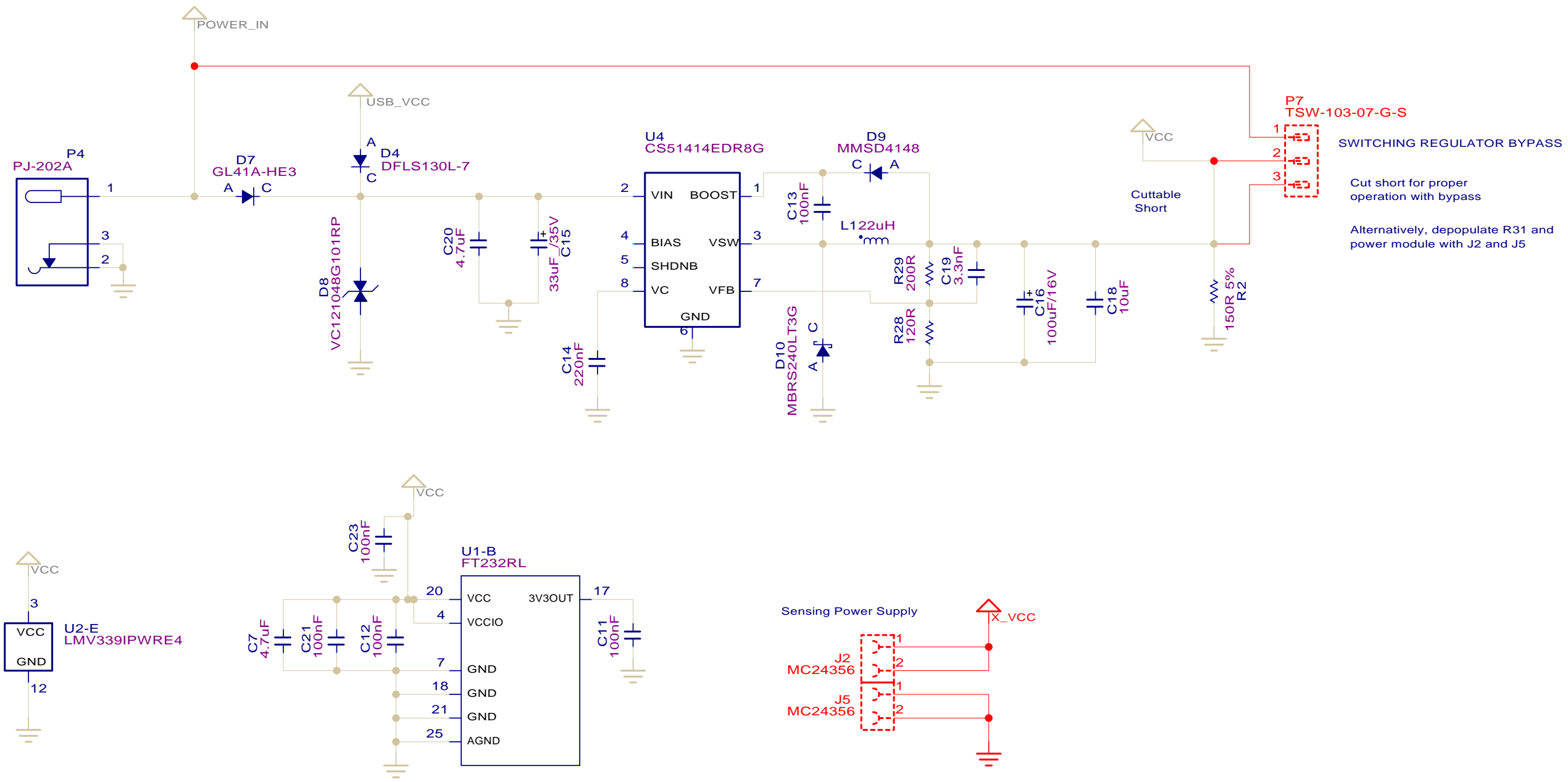


XBEE



REV	ECO	DESCRIPTION OF CHANGE	BY	CKD	APPR	DATE	
APPROVALS:		DATE:	XBee Interface Board XBIB-U-DEV_TH TH/SMT Hybrid				
DESIGNED:		xx/xx/xx					
DRAWN:		xx/xx/xx					
CHECKED:		xx/xx/xx					
ENGINEER:		xx/xx/xx					
© Digi International Inc. All rights reserved						PART NO. 55001551-02	REV. D
DO NOT SCALE DRAWING						SHEET 3 of 5	

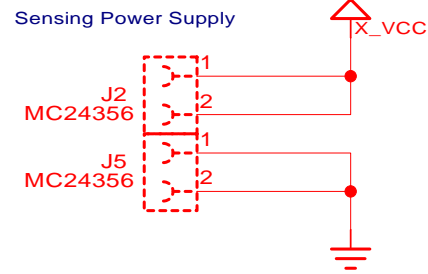
POWER



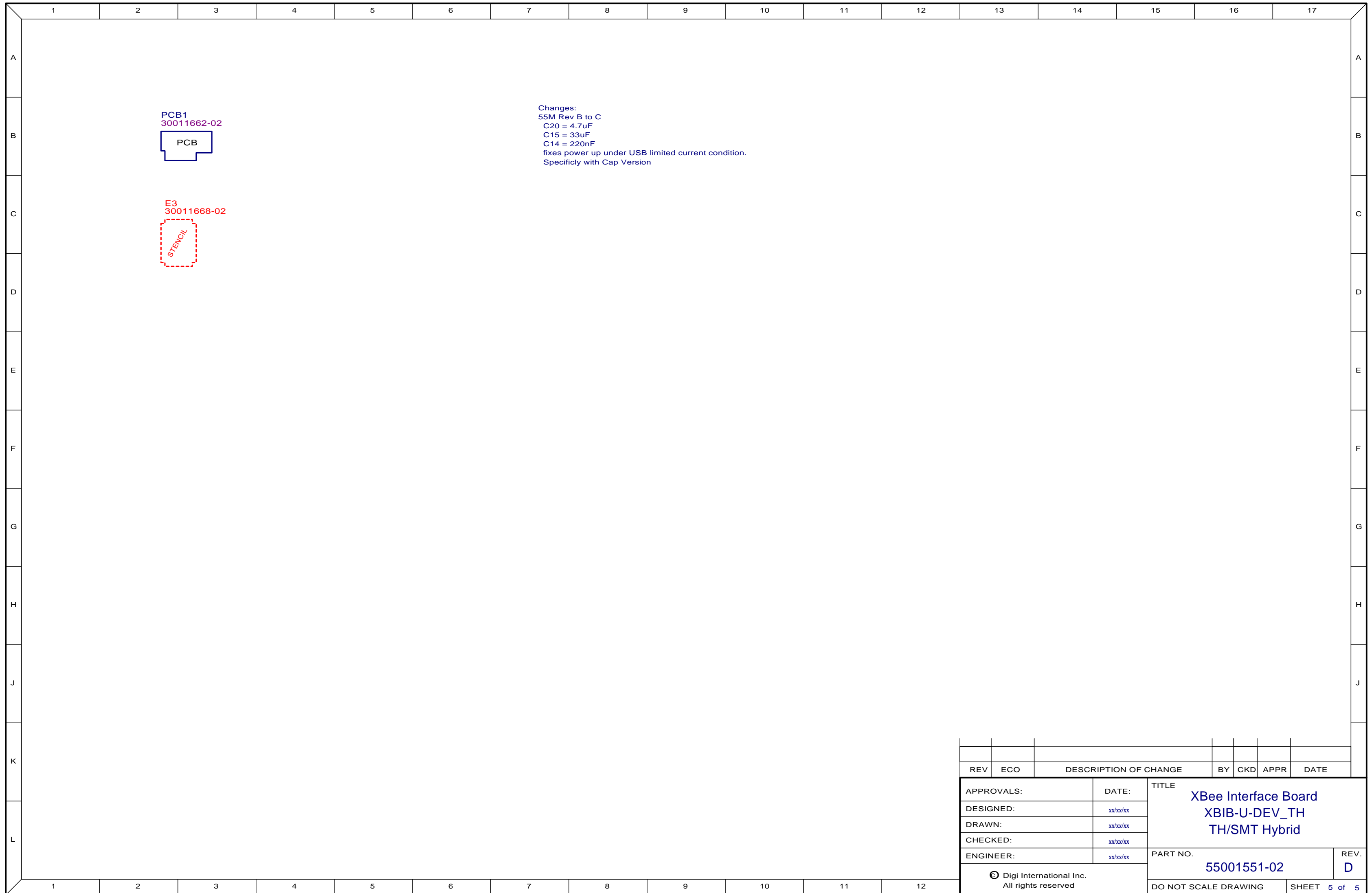
**P7
TSW-103-07-G-S**
SWITCHING REGULATOR BYPASS

Cut short for proper operation with bypass

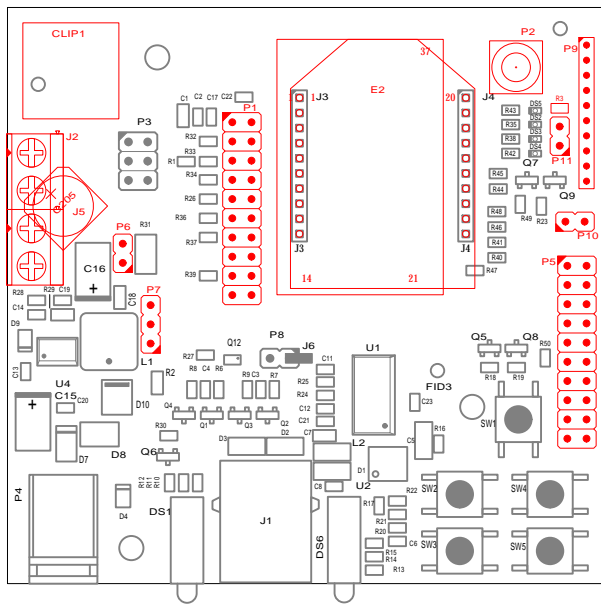
Alternatively, depopulate R31 and power module with J2 and J5



REV	ECO	DESCRIPTION OF CHANGE	BY	CKD	APPR	DATE
APPROVALS:		DATE:	TITLE			
DESIGNED:		xx/xx/xx	XBee Interface Board			
DRAWN:		xx/xx/xx	XBIB-U-DEV_TH			
CHECKED:		xx/xx/xx	TH/SMT Hybrid			
ENGINEER:		xx/xx/xx	PART NO.		REV.	
			55001551-02		D	
© Digi International Inc. All rights reserved			DO NOT SCALE DRAWING		SHEET 4 of 5	



REV	ECO	DESCRIPTION OF CHANGE	BY	CKD	APPR	DATE
APPROVALS:		DATE:	XBee Interface Board XBIB-U-DEV_TH TH/SMT Hybrid			
DESIGNED:		xx/xx/xx				
DRAWN:		xx/xx/xx				
CHECKED:		xx/xx/xx				
ENGINEER:		xx/xx/xx				
© Digi International Inc. All rights reserved		PART NO.		REV.		
		55001551-02		D		
DO NOT SCALE DRAWING				SHEET 5 of 5		



REV	ECO	DESCRIPTION OF CHANGE	BY	CKD	APPR	DATE

APPROVALS:	DATE:	TITLE Xbee Interface Board XBIB-U-DEV TH/SMT Hybrid	PART NO. 55001551-02	REV: D
DESIGNED: DW	06/09/14			
DRAWN:				
CHECKED:				
ENGINEER:				

Digi International Inc.
All rights reserved