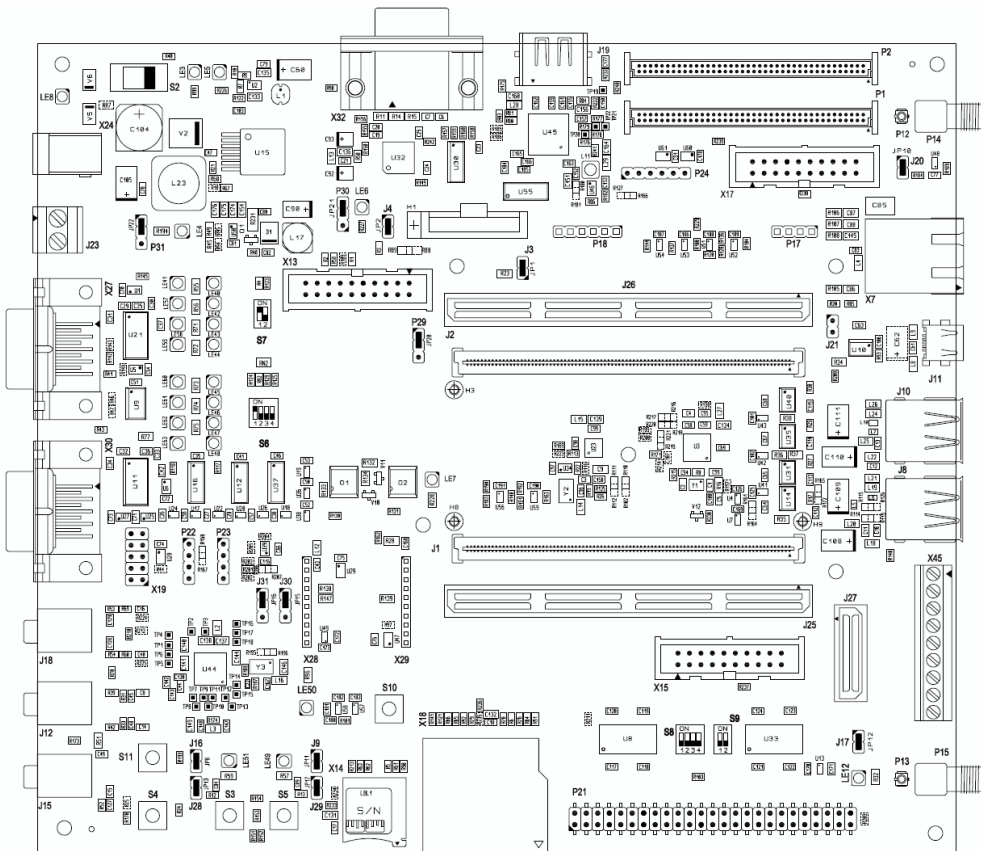




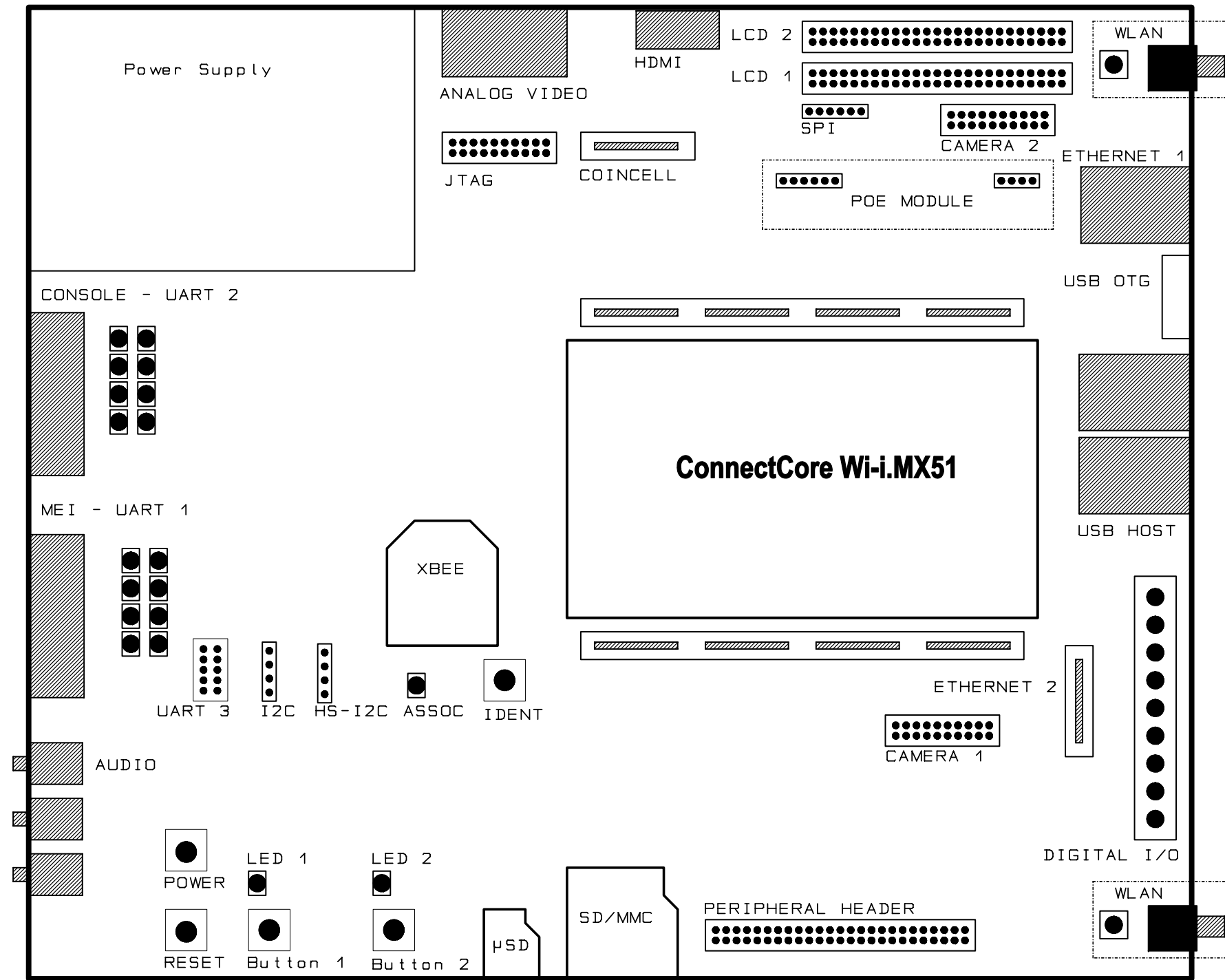
55001488-02 RevA

ConnectCore Wi-i.MX 51 JumpStart Board


3xUART, XBee, 4xUSB Host, USB OTG,
2xEthernet, 2xLCDs, 2xCamera, 2xSDIO, HDMI, AUDIO

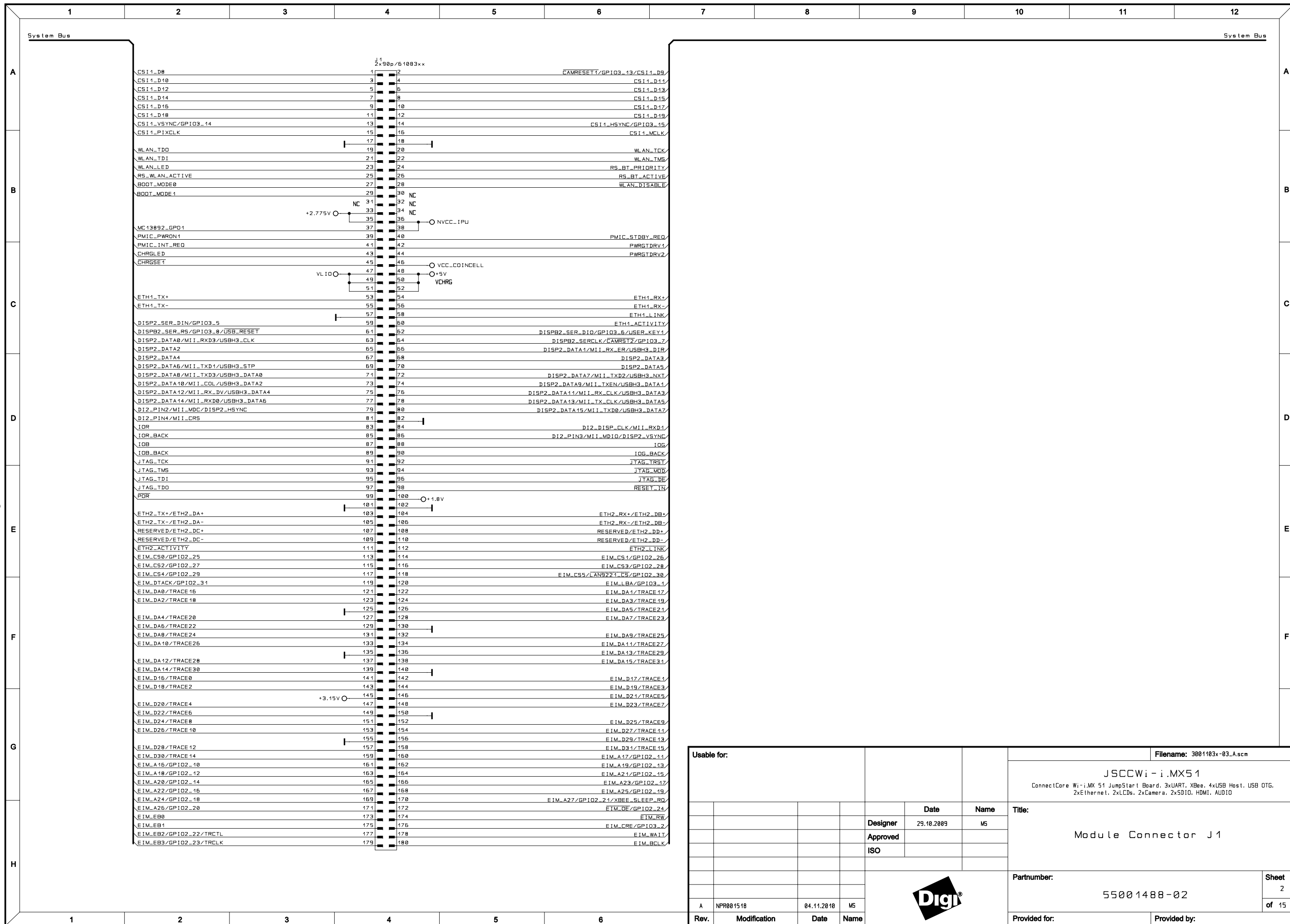


ConnectCore Wi-i.MX51 JumpStart board



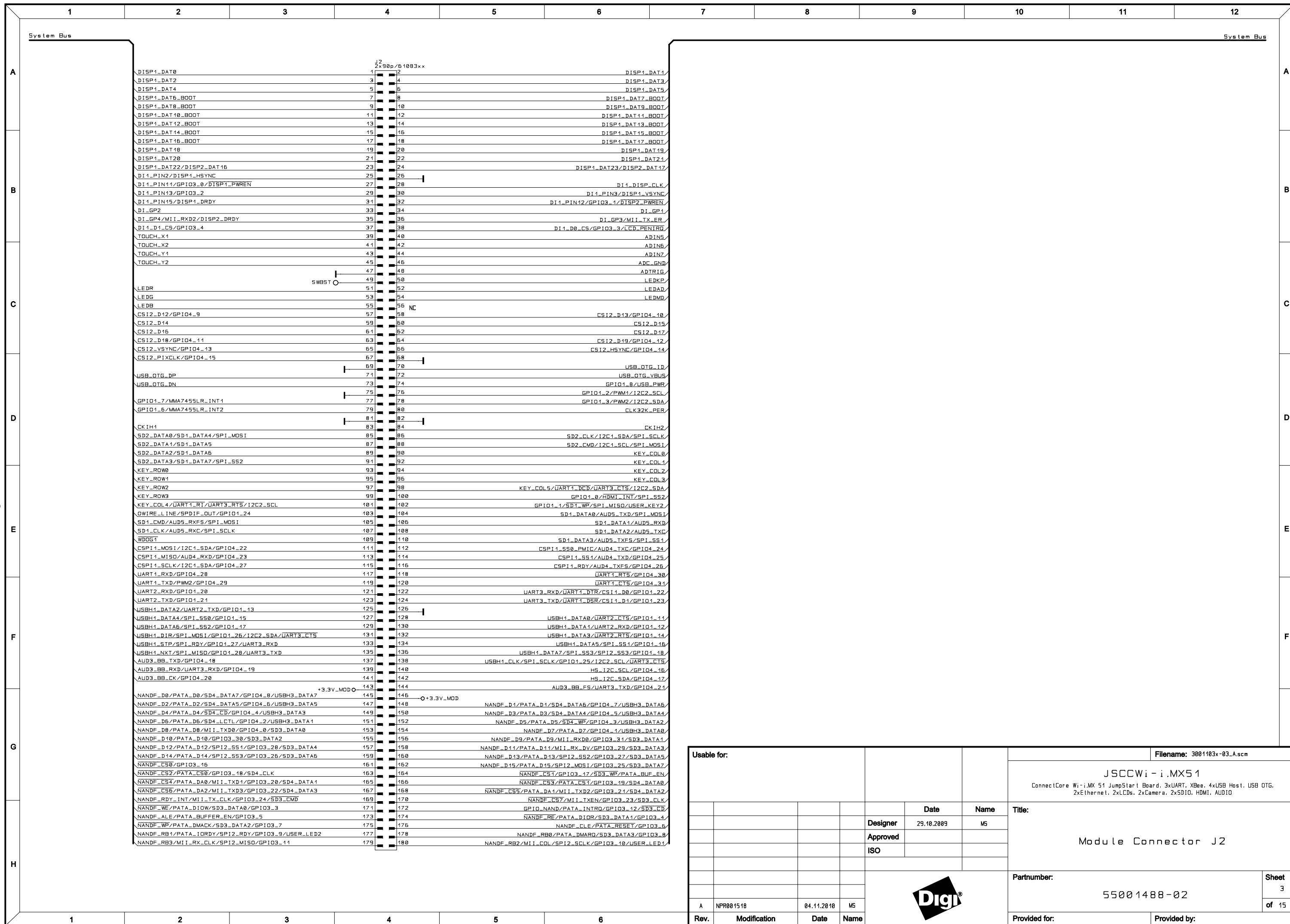
All rights reserved © Digi International Inc.

Usable for:				Filename: 3001103x-03_A.scm		
				JSCCWi-i.MX51 ConnectCore Wi-i.MX51 JumpStart Board, 3xUART, XBee, 4xUSB Host, USB OTG, 2xEthernet, 2xLCDs, 2xCamera, 2xSDIO, HDMI, AUDIO		
				Title: Block Diagram		
				Partnumber: 55001488-02		
				Sheet 1 of 15		
				Provided for: Provided by:		
Rev.	Modification	Date	Name			
A	NPR001518	04.11.2010	MS			



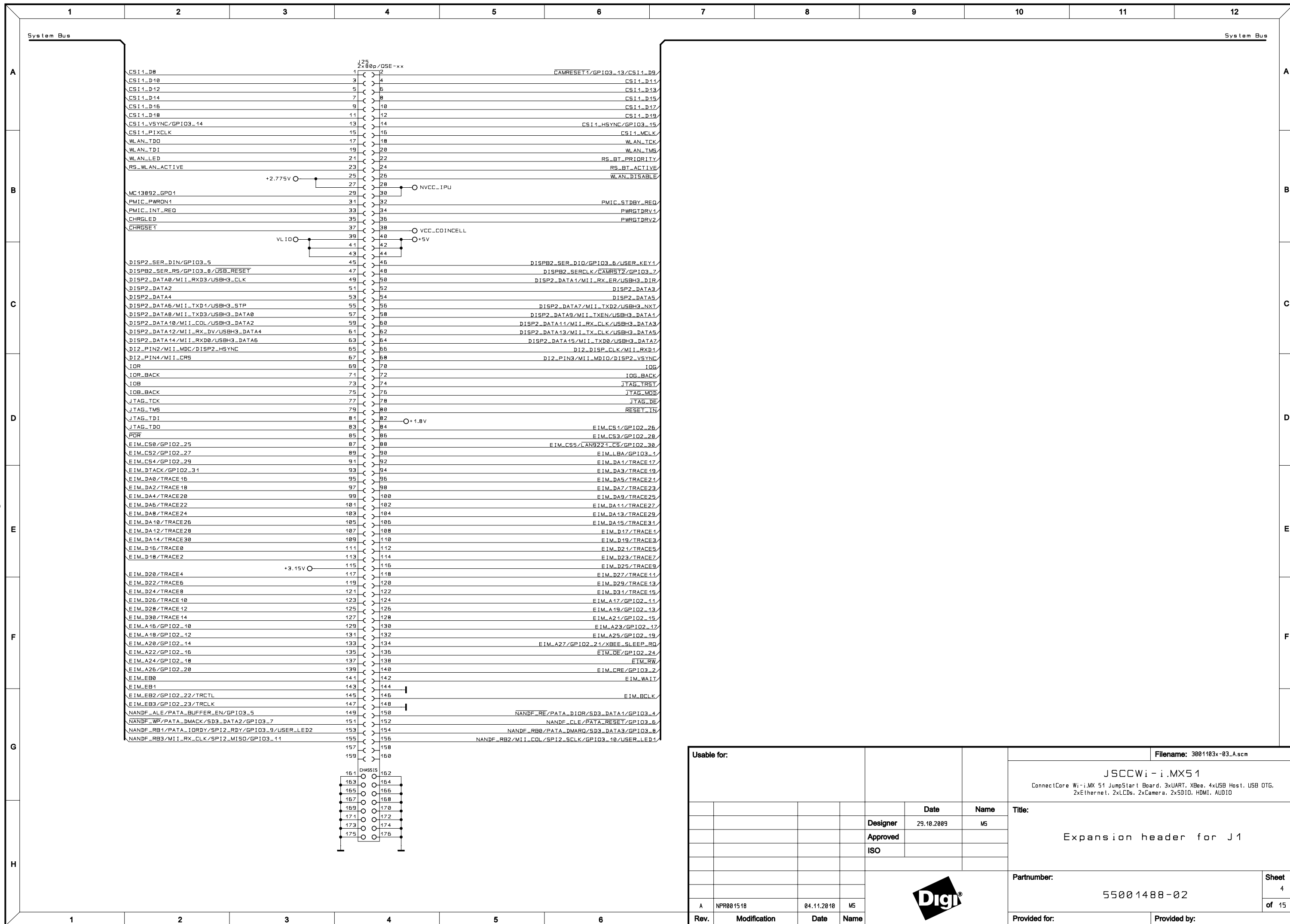
Usable for:				Filename: 3001103x-03_A.scm			
				<p align="center">JSCCW-i.MX51</p> <p align="center">ConnectCore Wi-i.MX 51 JumpStart Board, 3xUART, XBee, 4xUSB Host, USB OTG, 2xEthernet, 2xLCDs, 2xCamera, 2xSDIO, HDMI, AUDIO</p>			
		Date		Name		Title:	
		29.10.2009		MS		Module Connector J1	
		Approved		ISO			
				Partnumber:		Sheet	
				55001488-02		2	
				Provided for:		of 15	
Rev.		Modification		Date		Name	
A		NPR001518		04.11.2010		MS	



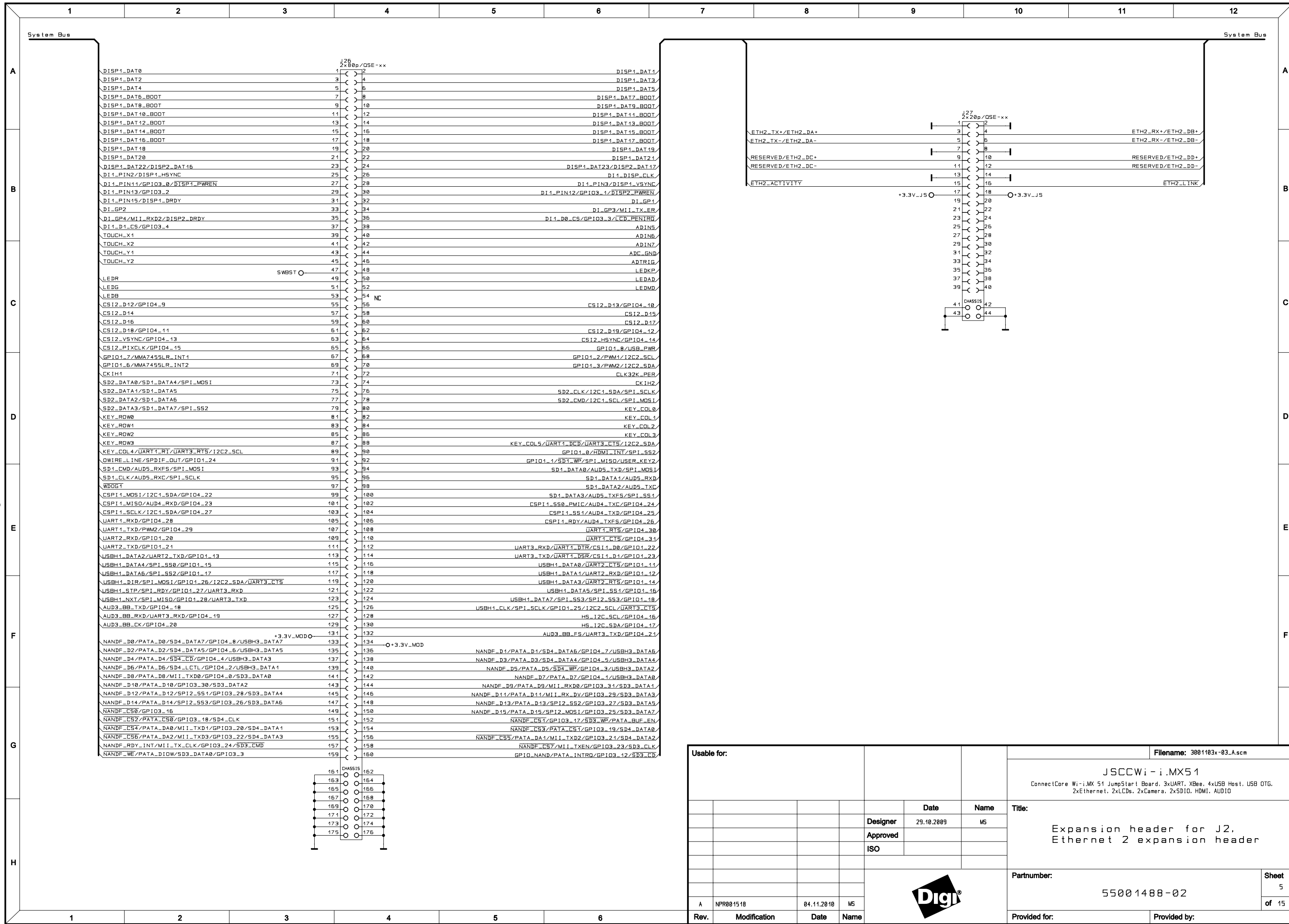


Usable for:				Filename: 3001103x-03_A.scm	
				JSCCW-i.MX51	
				ConnectCore Wi-i.MX 51 JumpStart Board, 3xUART, XBea, 4xUSB Host, USB OTG, 2xEthernet, 2xLCDs, 2xCamera, 2xSDIO, HDMI, AUDIO	
		Date	Name	Title: Module Connector J2	
		29.10.2009	MS		
		Approved		Partnumber: 55001488-02	
		ISO			
				Sheet 3 of 15	
Rev.	Modification	Date	Name	Provided for: Provided by:	
A	NPR001518	04.11.2010	MS		





Usable for:		Filename: 3001103x-03_A.scm	
		JSCCWi-i.MX51 ConnectCore Wi-i.MX 51 JumpStart Board, 3xUART, XBeee, 4xUSB Host, USB OTG, 2xEthernet, 2xLCDs, 2xCamera, 2xSDIO, HDMI, AUDIO	
	Designer	Date	Name
	Approved		
	ISO		
		Expansion header for J1	
		Partnumber:	
		55001488-02	
		Sheet	
		4	
		of 15	
Rev.	Modification	Date	Name
A	NPR001518	04.11.2010	MS
Provided for:		Provided by:	



Usable for:		Date		Name		Title:	
		29.10.2009		MS		Expansion header for J2, Ethernet 2 expansion header	
		Approved				Partnumber:	
		ISO				55001488-02	
						Sheet	
						5	
						of 15	
Rev.		Modification		Date		Name	
A		NPR001518		04.11.2010		MS	
Provided for:				Provided by:			

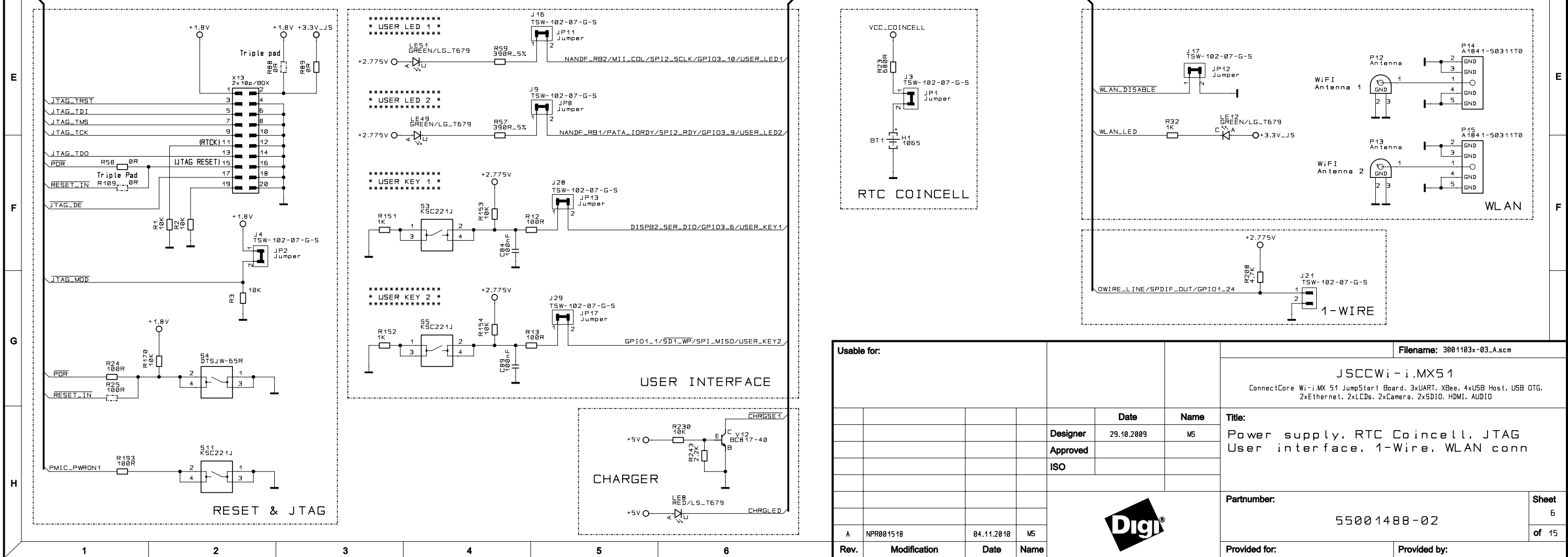
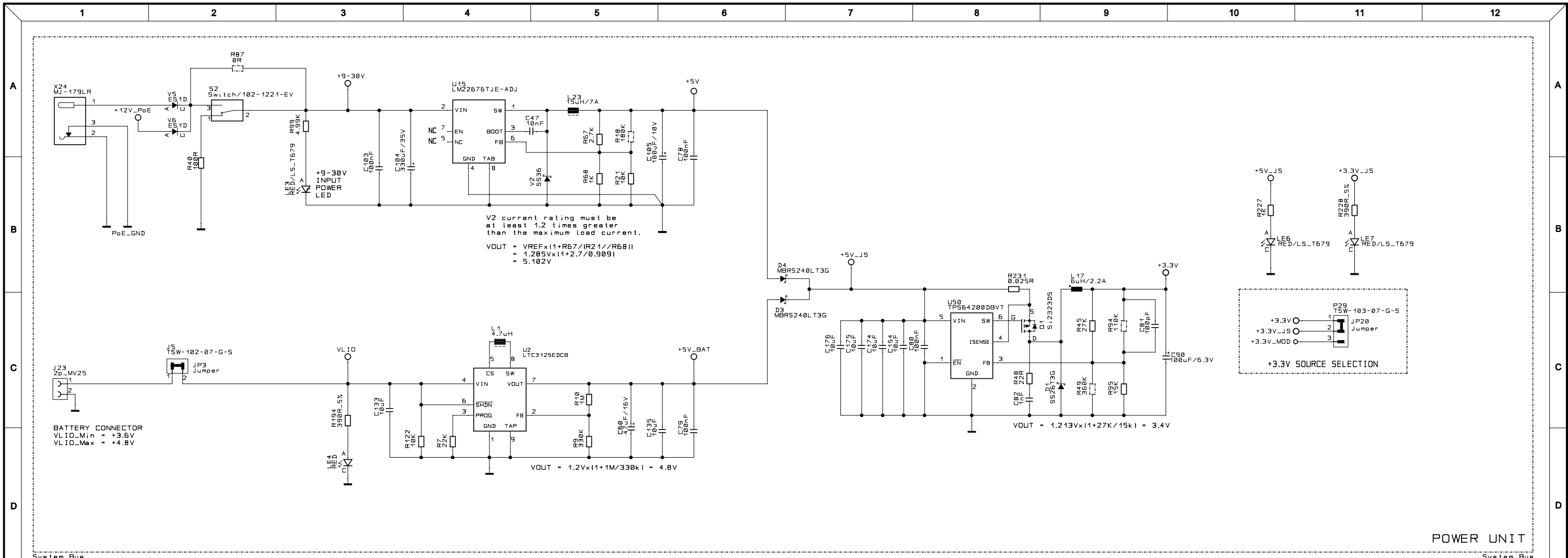


Filename: 3001103x-03_A.scm

JSCCWi-i.MX51
 ConnectCore Wi-i.MX 51 JumpStart Board, 3xUART, XBea, 4xUSB Host, USB OTG,
 2xEthernet, 2xLCDs, 2xCamera, 2xSDIO, HDMI, AUDIO

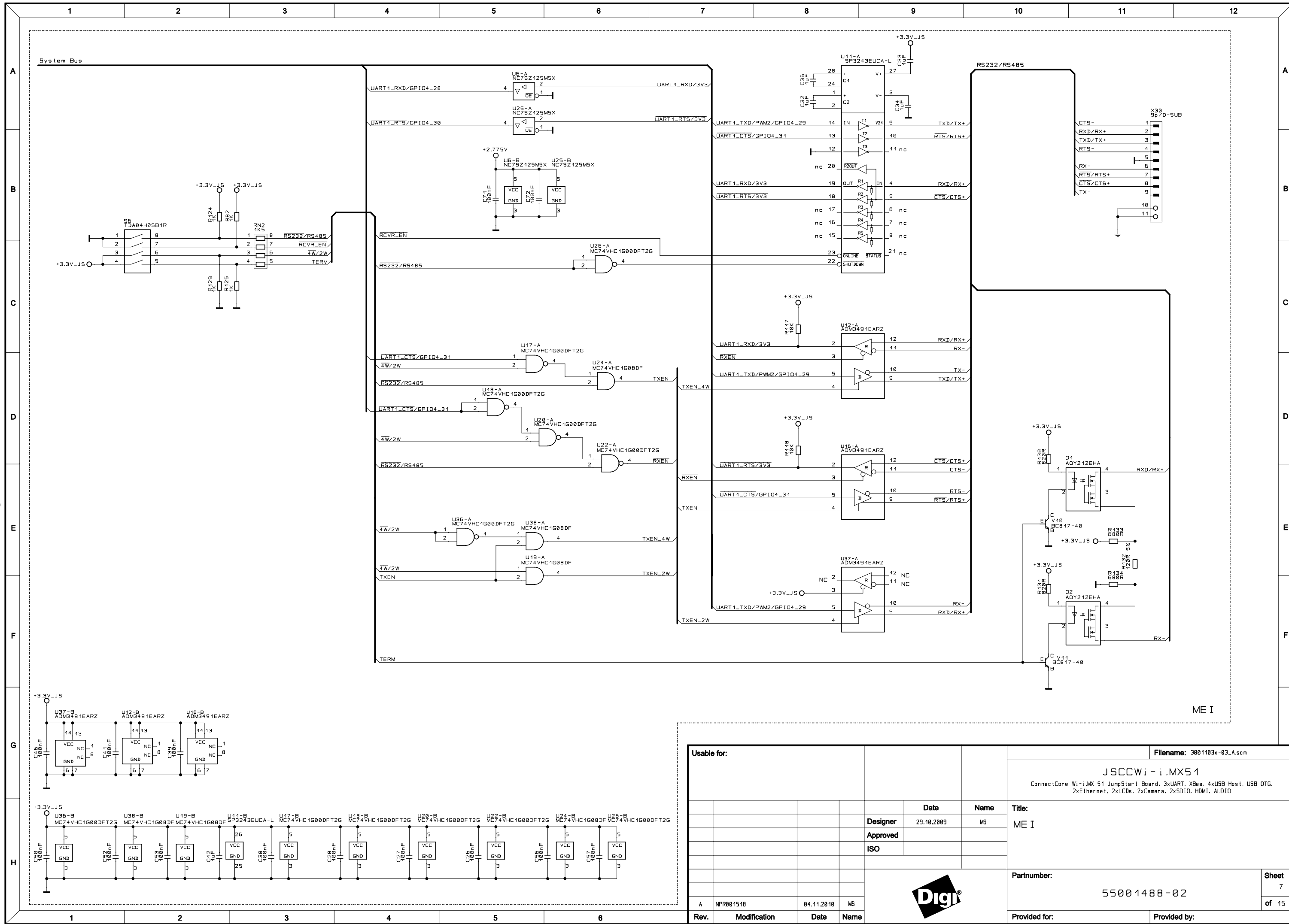
Expansion header for J2,
 Ethernet 2 expansion header

55001488-02



Usable for:				Filename: 3001103x-03_A.scm	
				JSCCW-i.MX51	
				ConnectCore Wi-i.MX 51 JumpStart Board, 3xUART, XBees, 4xUSB Host, USB OTG, 2xEthernet, 2xLCDs, 2xCamera, 2xSDIO, HDMI, AUDIO	
		Date	Name	Title:	
	Designer	29.10.2009	MS	Power supply, RTC Coincell, JTAG User interface, 1-Wire, WLAN conn	
	Approved				
	ISO				
				Partnumber:	Sheet
				55001488-02	6
				Provided for:	of 15
Rev.	Modification	Date	Name		
A	NPR001518	04.11.2010	MS		





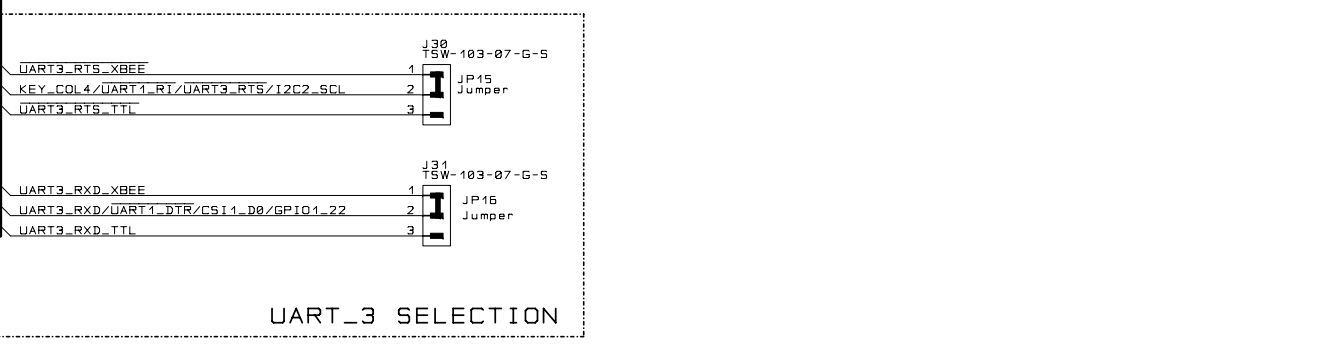
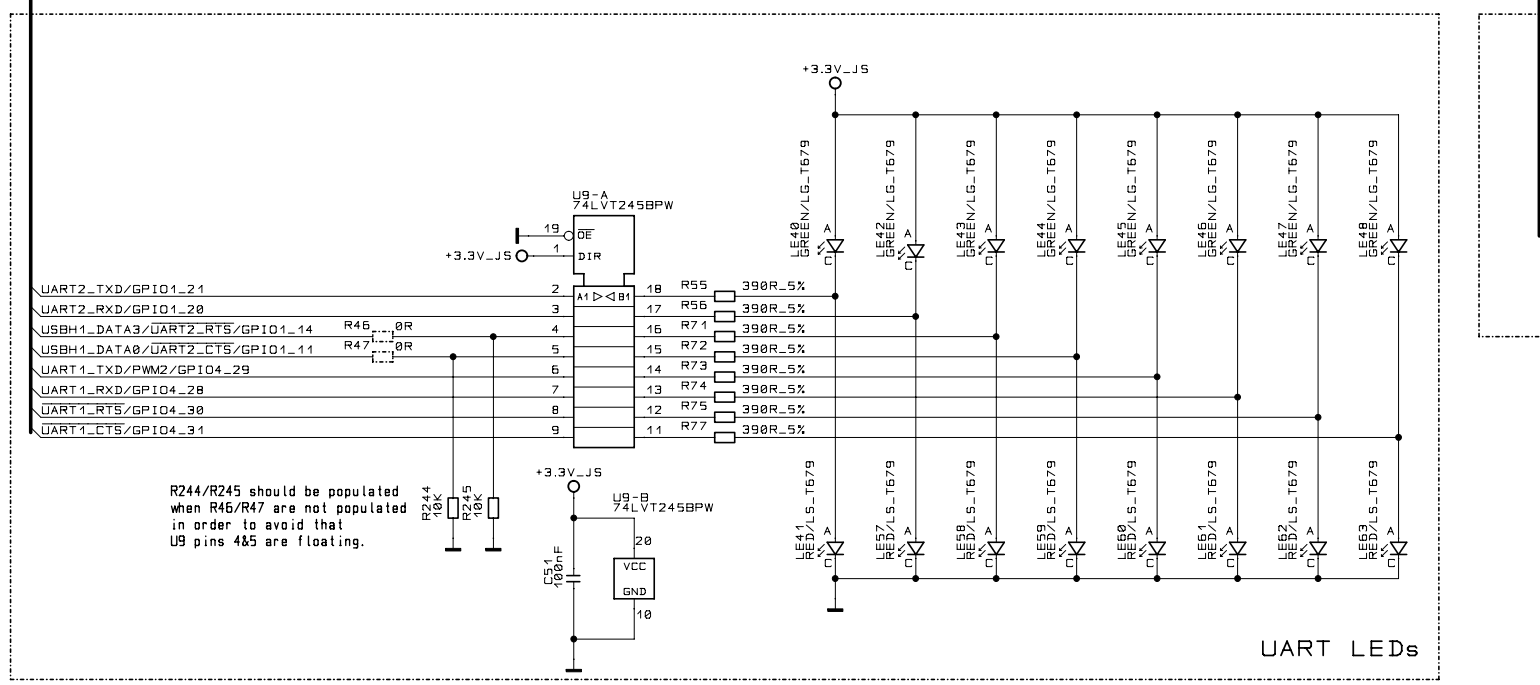
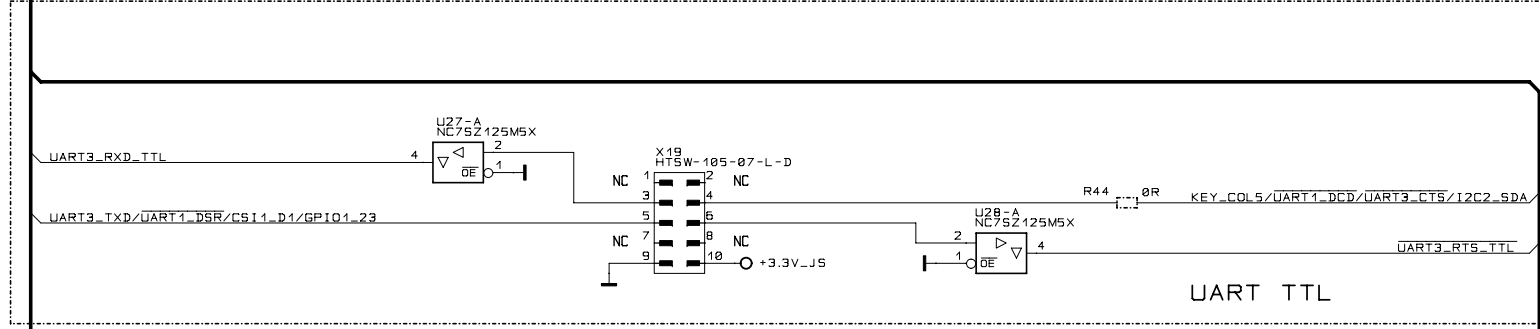
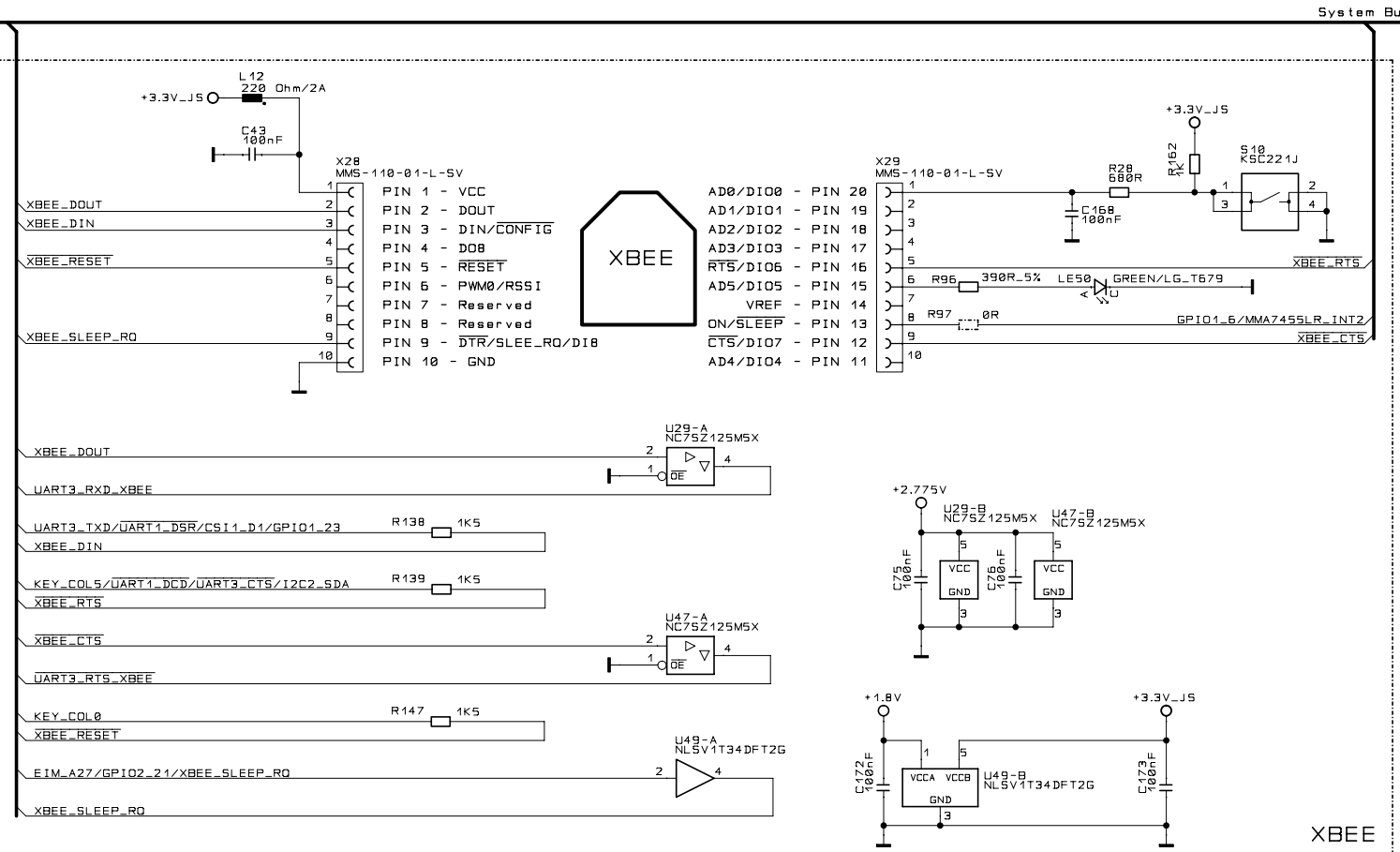
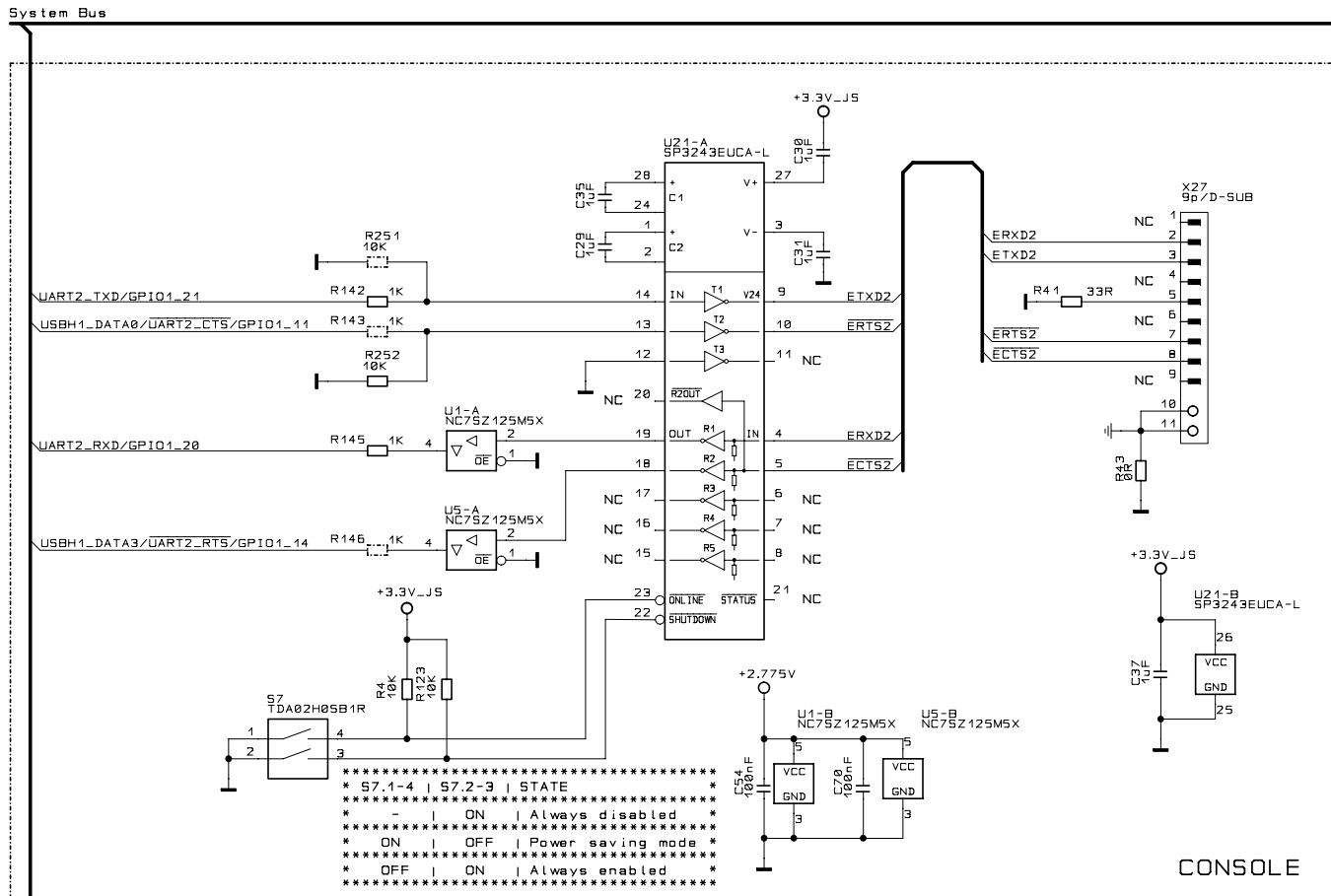
Usable for:		Date		Name		Title:	
		29.10.2009		MS		ME I	
Designer		Date		Name		Title:	
Approved						ME I	
ISO							
Rev.		Modification		Date		Name	
A		NPR001518		04.11.2010		MS	
Partnumber:		55001488-02		Sheet		7	
Provided for:		Provided by:		of		15	



Filename: 3001103x-03_A.scm

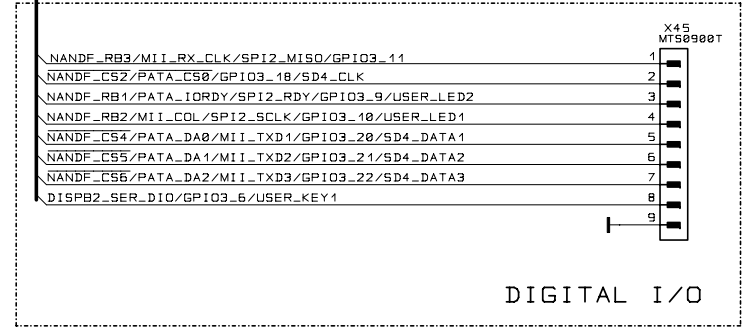
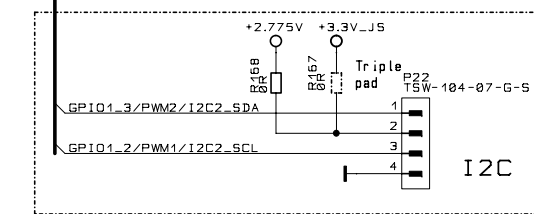
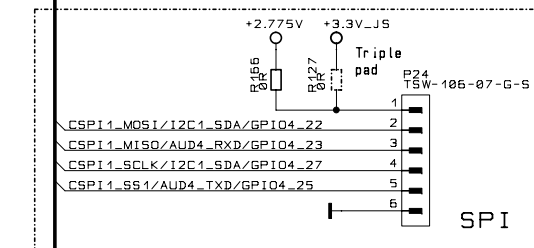
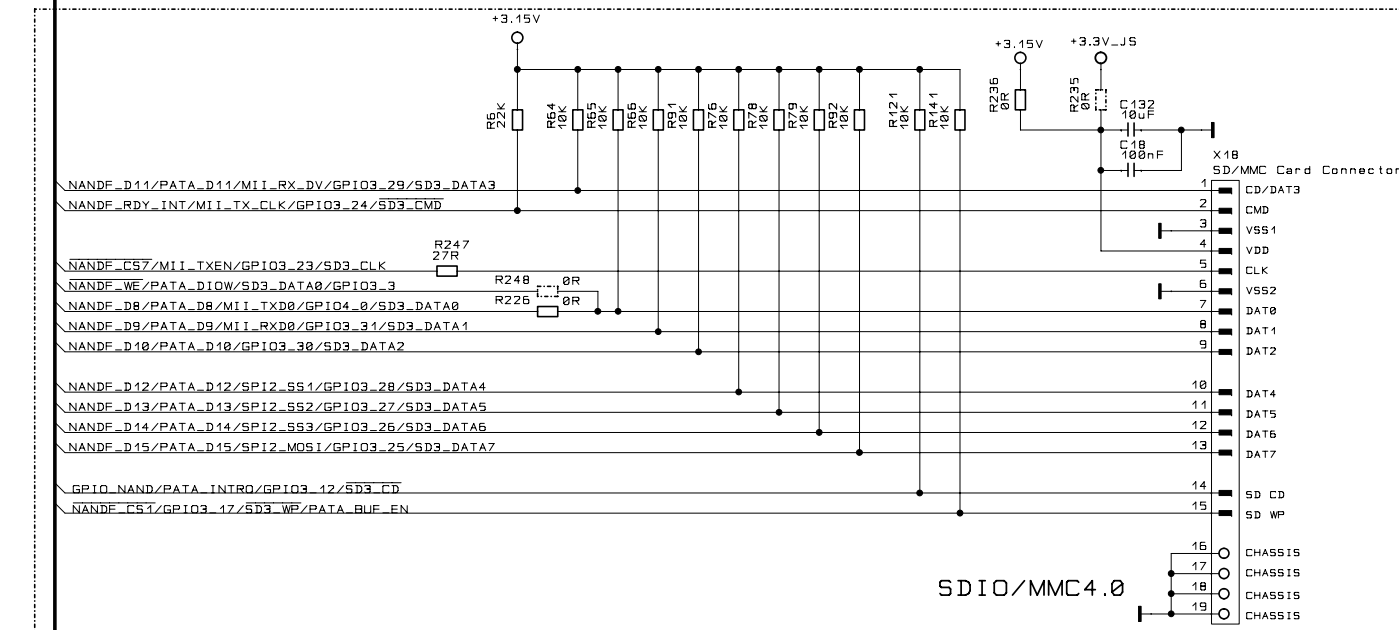
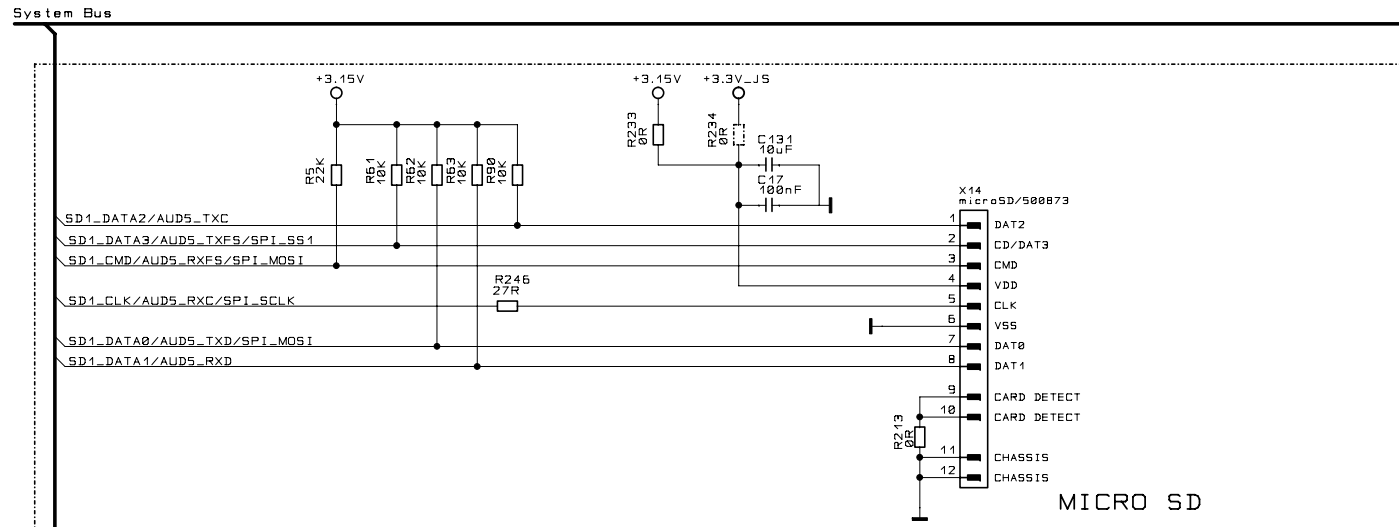
JSCCWi - i.MX51
 ConnectCore Wi-i.MX 51 JumpStart Board, 3xUART, Xbee, 4xUSB Host, USB OTG,
 2xEthernet, 2xLCDs, 2xCamera, 2xSDIO, HDMI, AUDIO

ME I



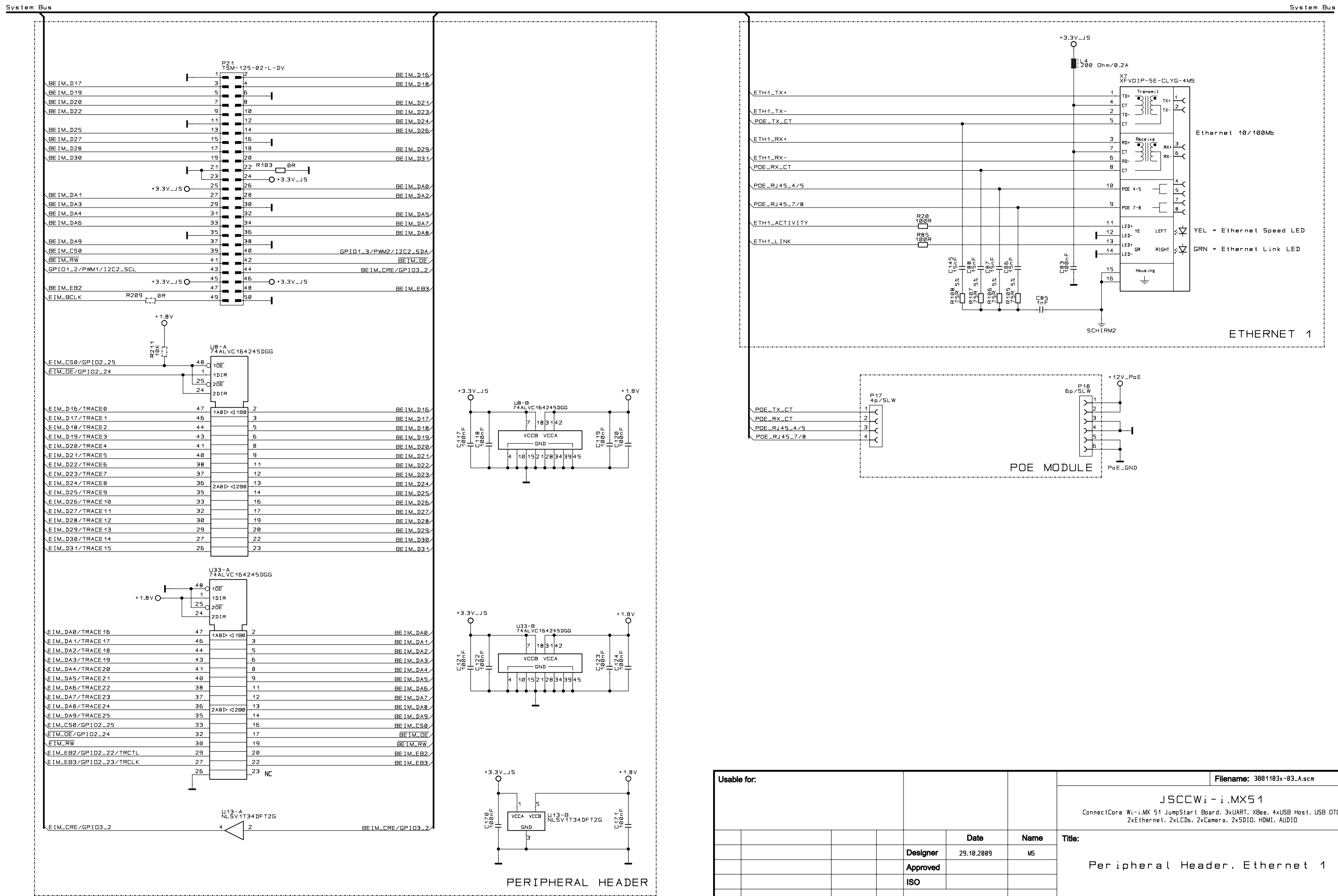
Usable for:				Filename: 3001103x-03_A.scm	
				JSCCW-i.MX51	
				ConnectCore Wi-i.MX 51 JumpStart Board, 3xUART, XBee, 4xUSB Host, USB OTG, 2xEthernet, 2xLCDs, 2xCamera, 2xSDIO, HDMI, AUDIO	
				Title: Console, UART TTL, XBee	
				Partnumber: 55001488-02	
				Sheet 8 of 15	
				Provided for: Provided by:	
Rev.	Modification	Date	Name		
A	NPR001518	04.11.2010	MS		





Usable for:				Filename: 3001103x-03_A.scm	
				JSCCWi - i.MX51 ConnectCore Wi-i.MX 51 JumpStart Board, 3xUART, XBees, 4xUSB Host, USB OTG, 2xEthernet, 2xLCDs, 2xCamera, 2xSDIO, HDMI, AUDIO	
		Designer	29.10.2009	Name	MS
		Approved			
		ISO			
				Partnumber:	55001488-02
				Sheet	9
				of	15
Rev.	Modification	Date	Name	Provided for:	
A	NPR001518	04.11.2010	MS		





Usable for:		Date		Name		Title:		Partnumber:		Sheet	
		29.10.2009		MS		Peripheral Header, Ethernet 1		55001488-02		10	
		ISO								of 15	
Rev.		Modification		Date		Name		Provided for:		Provided by:	
A		NPR001518		04.11.2010		MS					



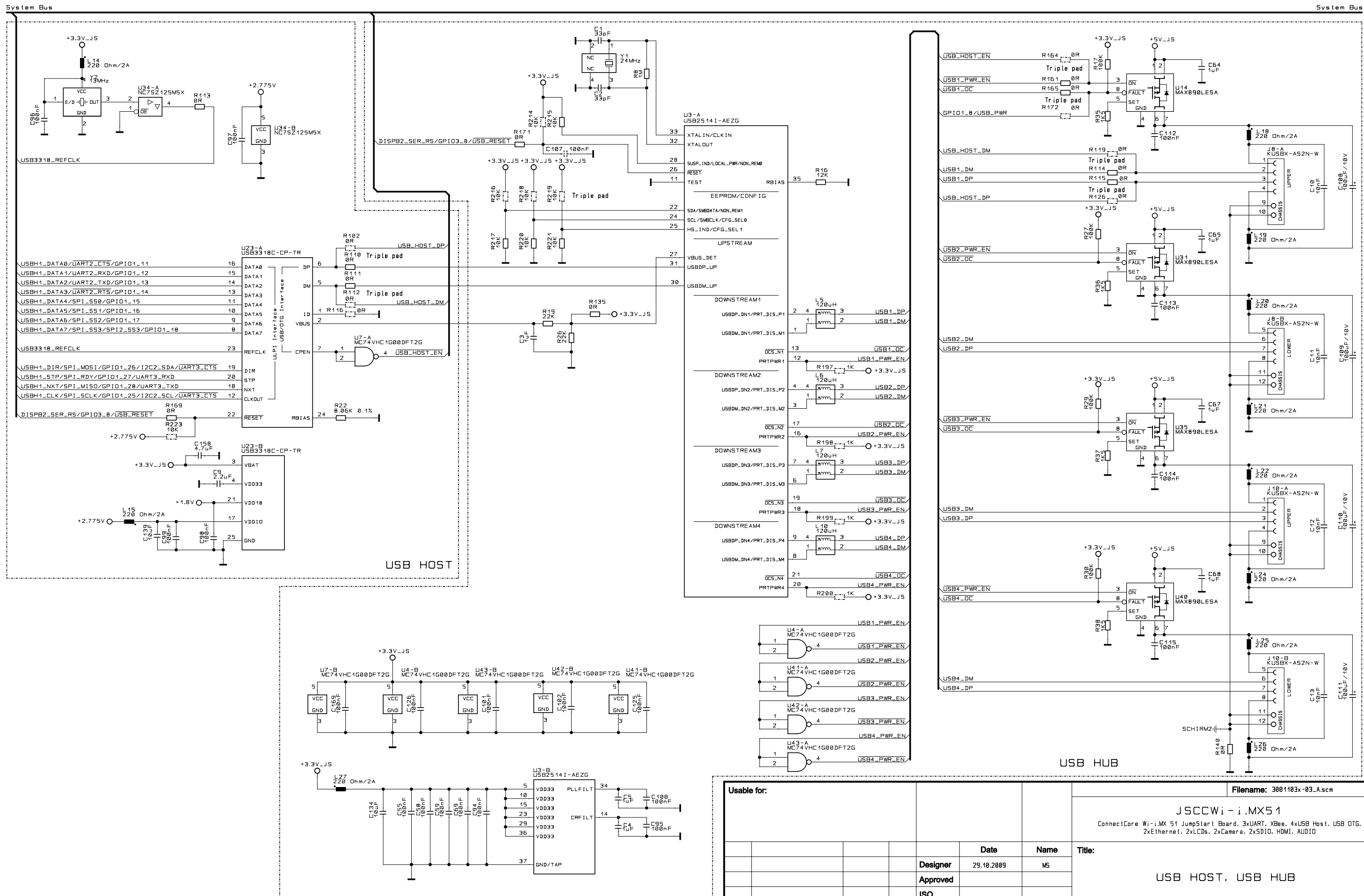
Filename: 3001103x-03_A.scm


JSCCW-i.MX51

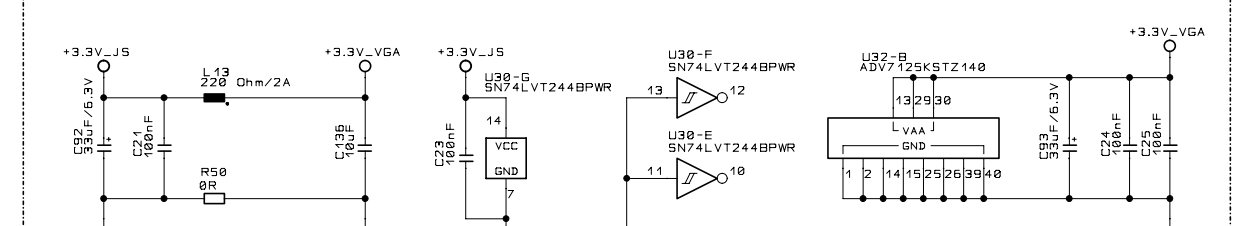
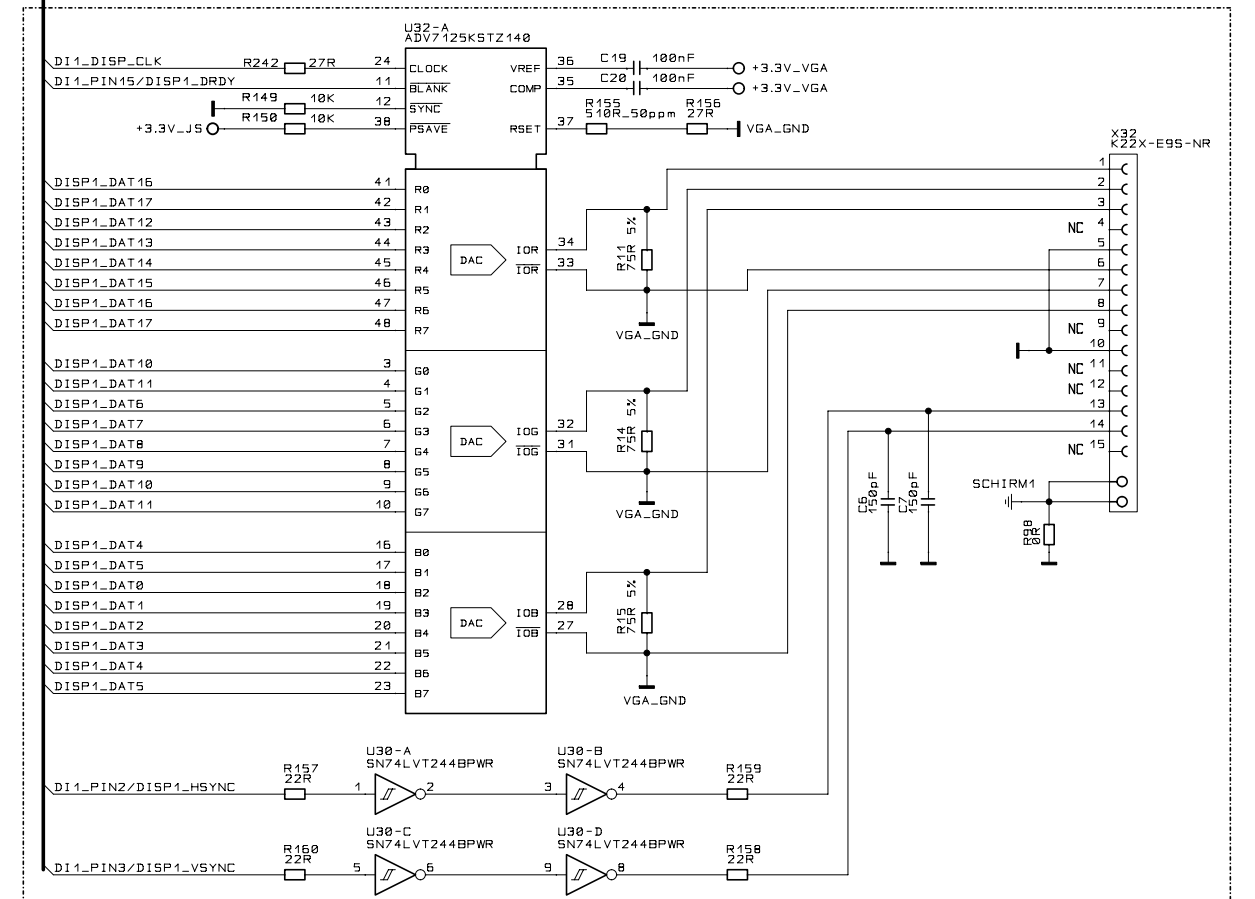
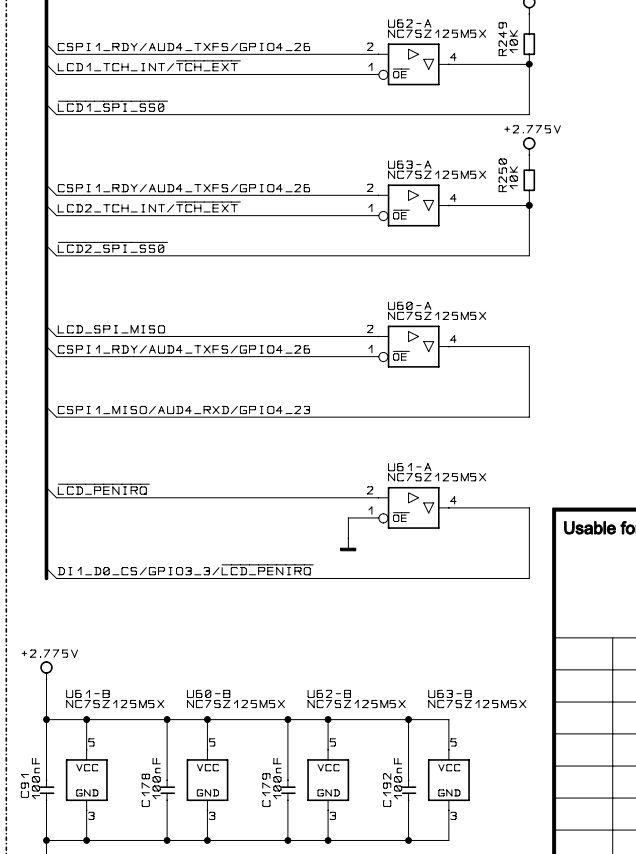
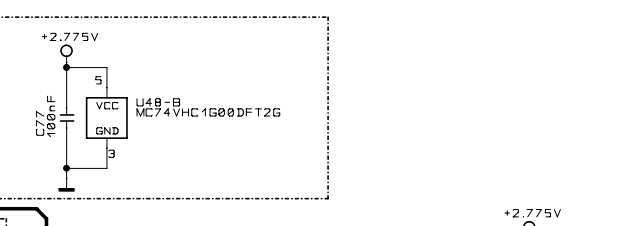
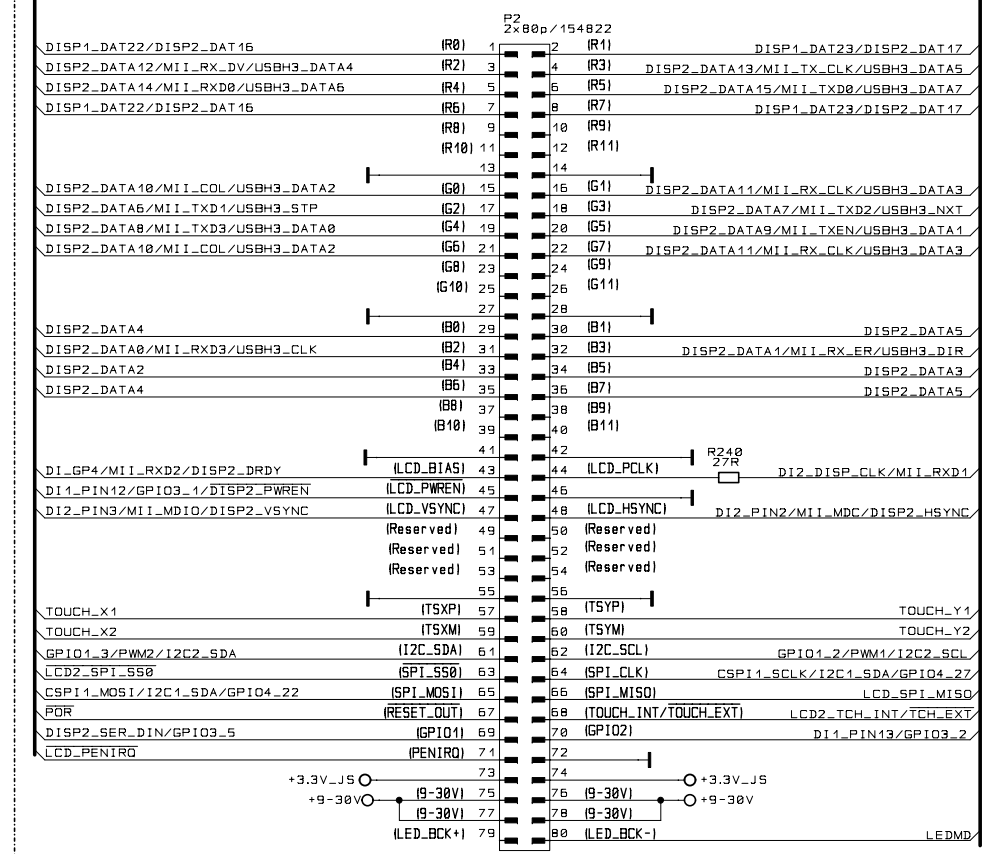
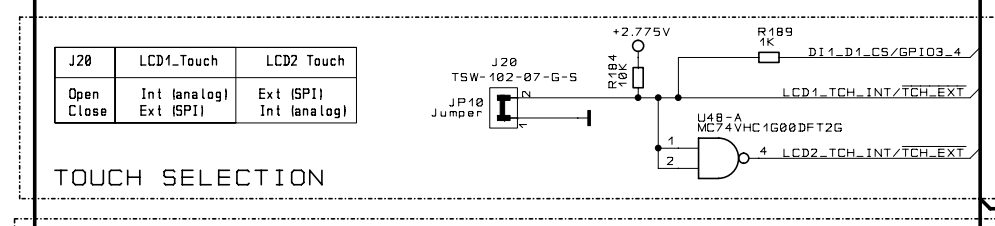
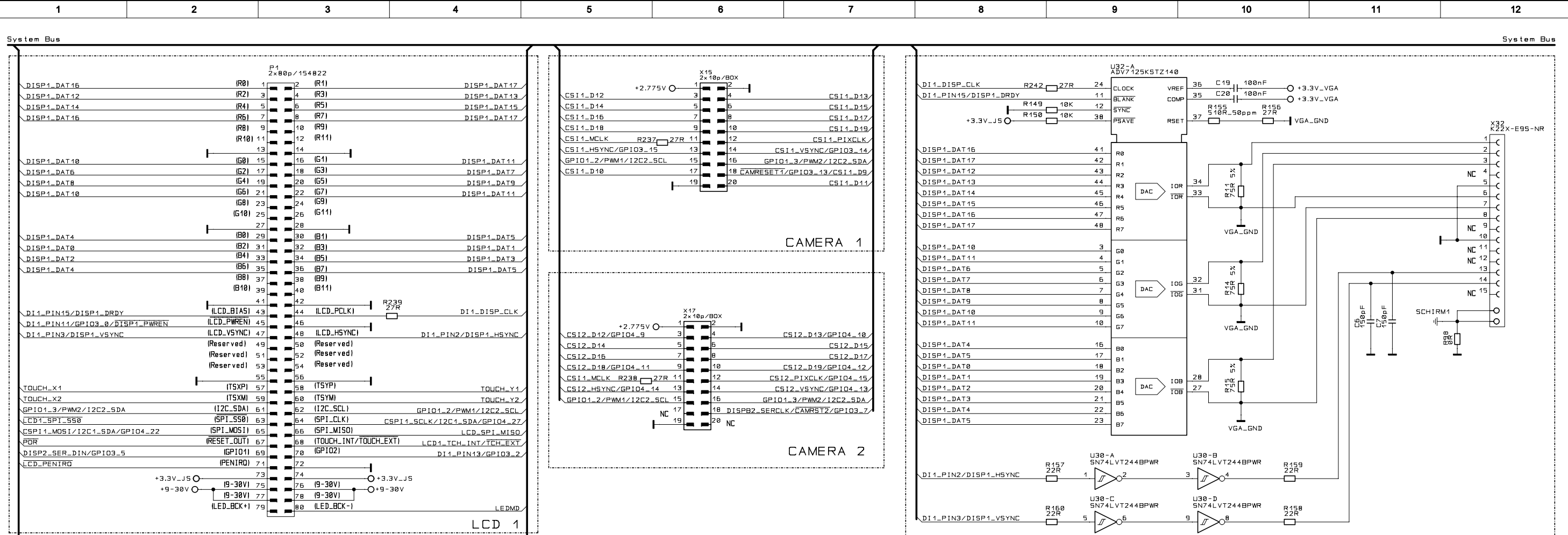
ConnectCore Wi-i.MX 51 JumpStart Board, 3xUART, XBeE, 4xUSB Host, USB OTG, 2xEthernet, 2xLCDs, 2xCamera, 2xSDIO, HDMI, AUDIO

Peripheral Header, Ethernet 1

55001488-02

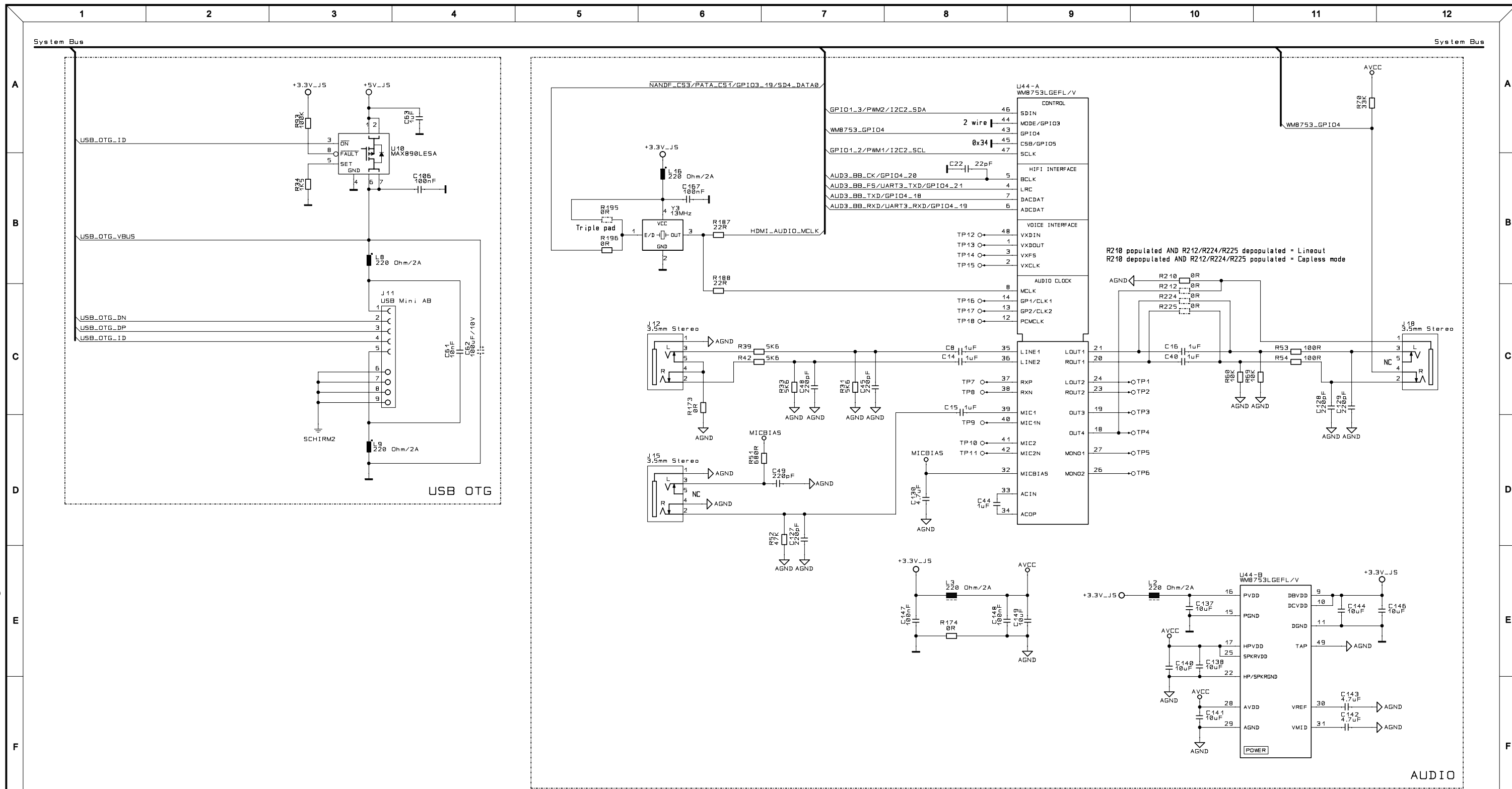


Usable for:				File name: 3001103x-03_A.scm	
				JSCCWi-i.MX51	
				ConnectCore Wi-i.MX51 JumpStart Board, 3xUART, XBeee, 4xUSB Host, USB OTG, 2xEthernet, 2xLCDs, 2xCamera, 2xSDIO, HDMI, AUDIO	
				Title:	
				USB HOST, USB HUB	
				Part number:	
				55001488-02	
				Sheet	
				11	
				of 15	
Rev.	Modification	Date	Name		
A	NPR001518	04.11.2010	MS		
					
				Provided for:	
				Provided by:	



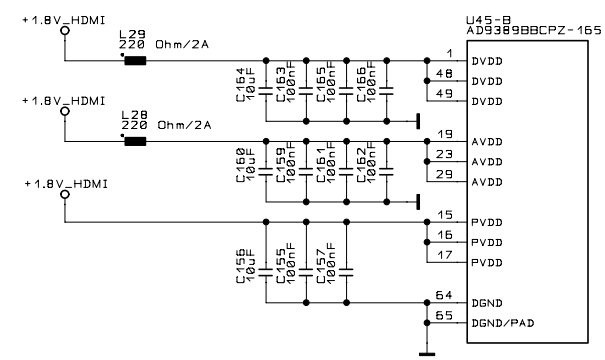
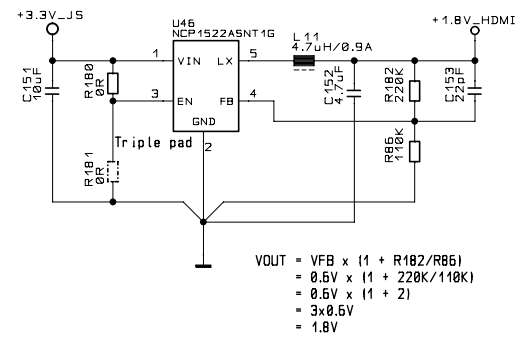
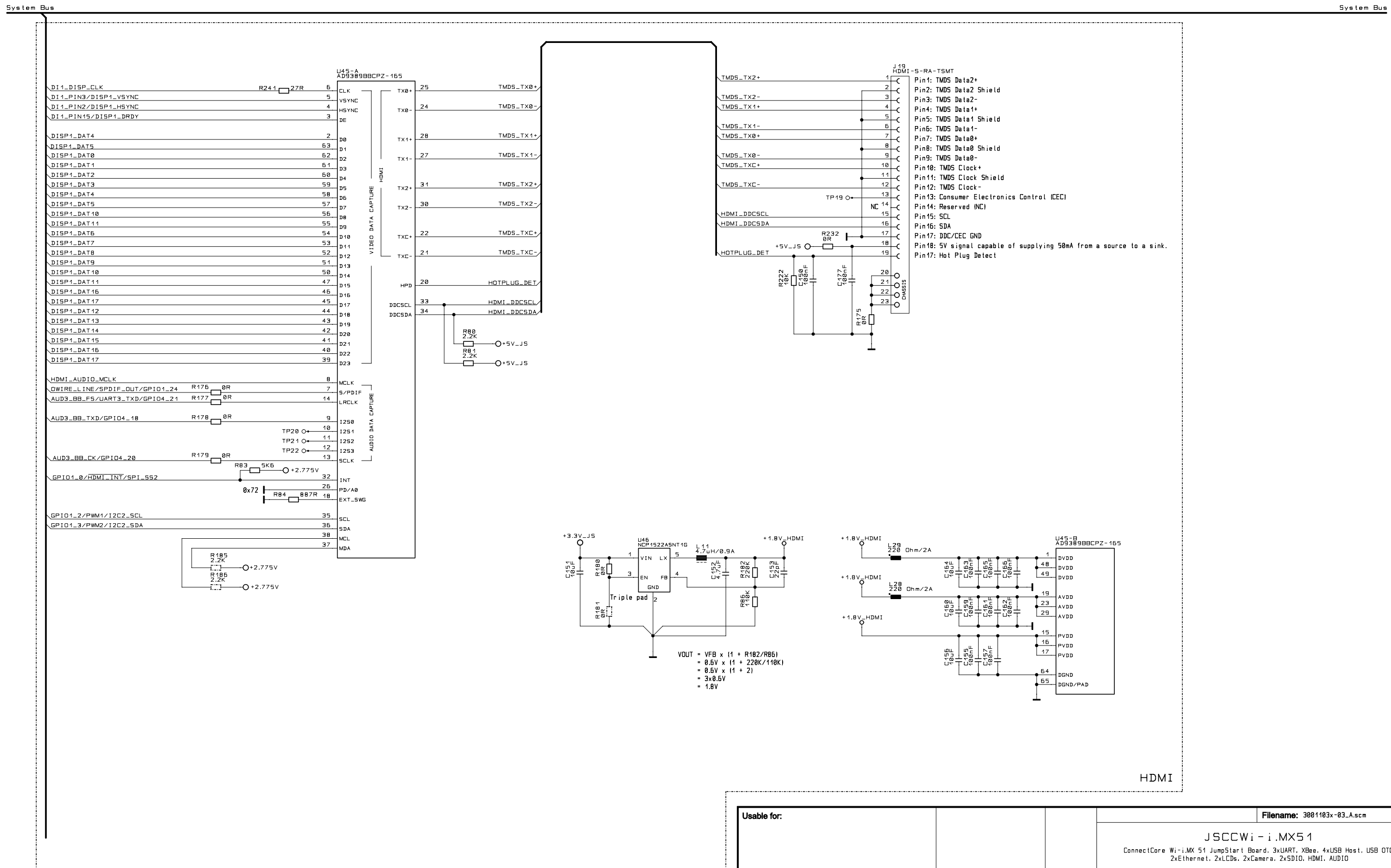
Usable for:			Filename: 3001103-03_A.scm		
			JSCCW-i.MX51 ConnectCore Wi-i.MX 51 JumpStart Board, 3xUART, Xbee, 4xUSB Host, USB OTG, 2xEthernet, 2xLCDs, 2xCamera, 2xSDIO, HDMI, AUDIO		
			Date	Name	Title:
			29.10.2009	MS	Camera, Display
			Designer	Approved	ISO
			Partnumber: 55001488-02		
			Sheet 12 of 15		
Rev.	Modification	Date	Name		
A	NPR001518	04.11.2010	MS		
Provided for:			Provided by:		





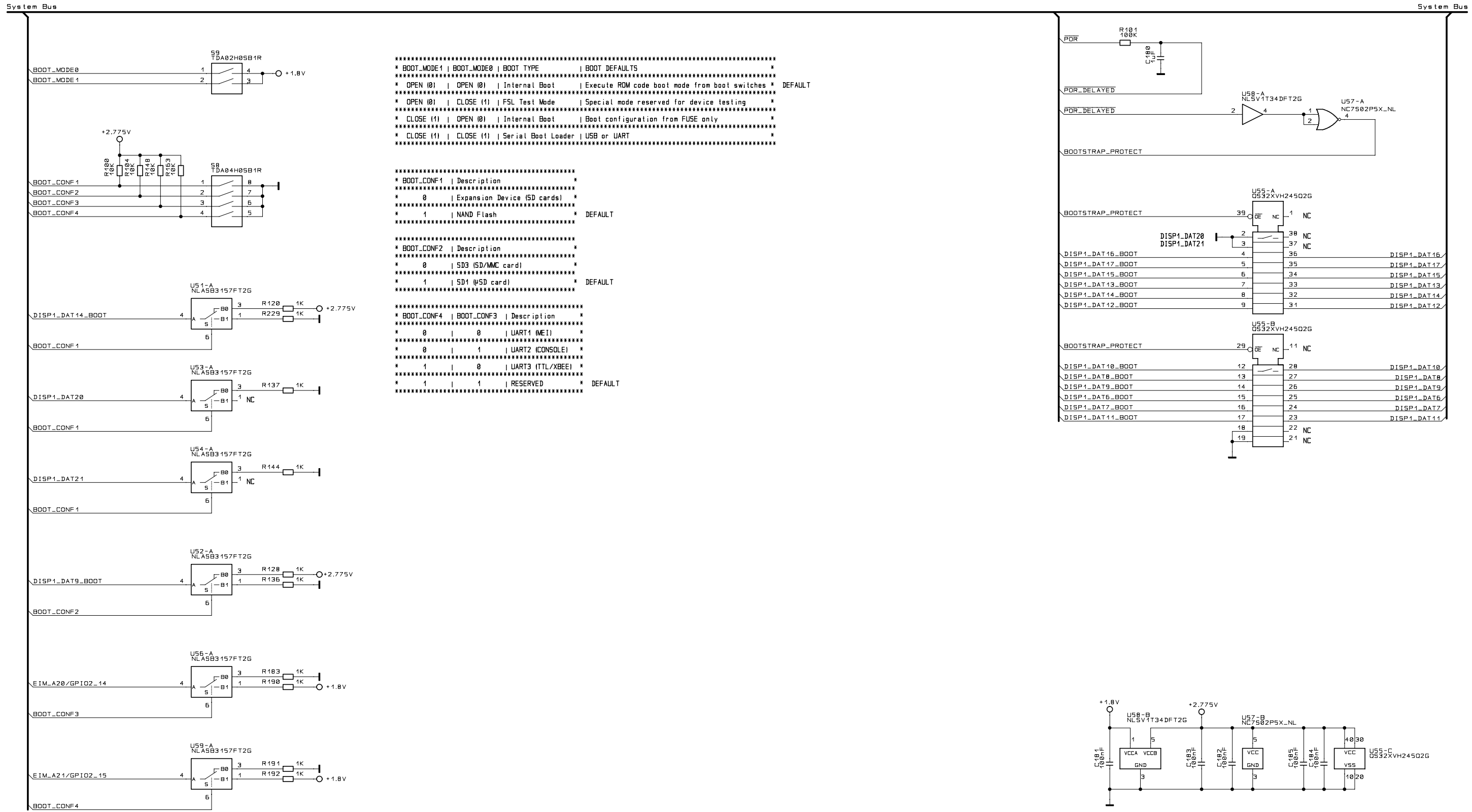
Usable for:				Filename: 3001103x-03_A.scm	
				JSCCWi - i.MX51	
				ConnectCore Wi-i.MX 51 JumpStart Board, 3xUART, XBeec, 4xUSB Host, USB OTG, 2xEthernet, 2xLCDs, 2xCamera, 2xSDIO, HDMI, AUDIO	
		Date	Name	Title:	
	Designer	29.10.2009	MS	USB OTG, AUDIO	
	Approved				
	ISO				
				Partnumber:	Sheet
				55001488-02	13
				Provided for:	of 15
Rev.	Modification	Date	Name		
A	NPR001518	04.11.2010	MS		





Usable for:				Filename: 3001103x-03_A.scm	
				JSCCWi - i.MX51	
				ConnectCore Wi-i.MX 51 JumpStart Board, 3xUART, XBeec, 4xUSB Host, USB OTG, 2xEthernet, 2xLCDs, 2xCamera, 2xSDIO, HDMI, AUDIO	
		Date	Name	Title:	
		Designer	29.10.2009	HDMI	
		Approved			
		ISO			
				Partnumber:	Sheet
				55001488-02	14
				Provided for:	of 15
Rev.	Modification	Date	Name		
A	NPR001518	04.11.2010	MS		





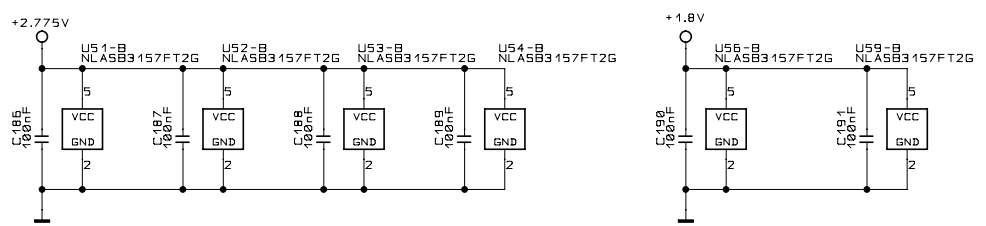
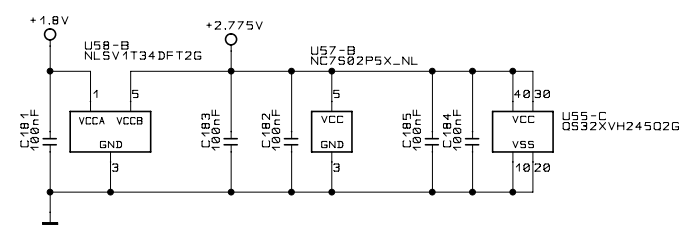
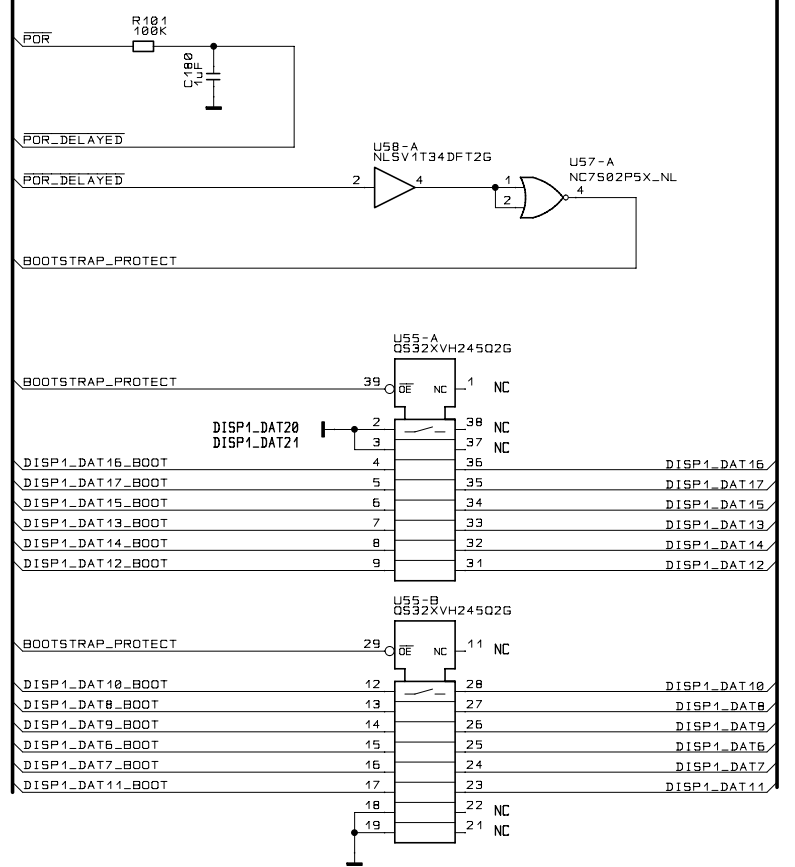
```

*****
* BOOT_MODE1 | BOOT_MODE0 | BOOT TYPE | BOOT DEFAULTS
*****
* OPEN (0) | OPEN (0) | Internal Boot | Execute ROM code boot mode from boot switches * DEFAULT
* OPEN (0) | CLOSE (1) | FSL Test Mode | Special mode reserved for device testing *
* CLOSE (1) | OPEN (0) | Internal Boot | Boot configuration from FUSE only *
* CLOSE (1) | CLOSE (1) | Serial Boot Loader | USB or UART
*****

*****
* BOOT_CONF1 | Description
*****
* 0 | Expansion Device (SD cards) *
* 1 | NAND Flash * DEFAULT
*****

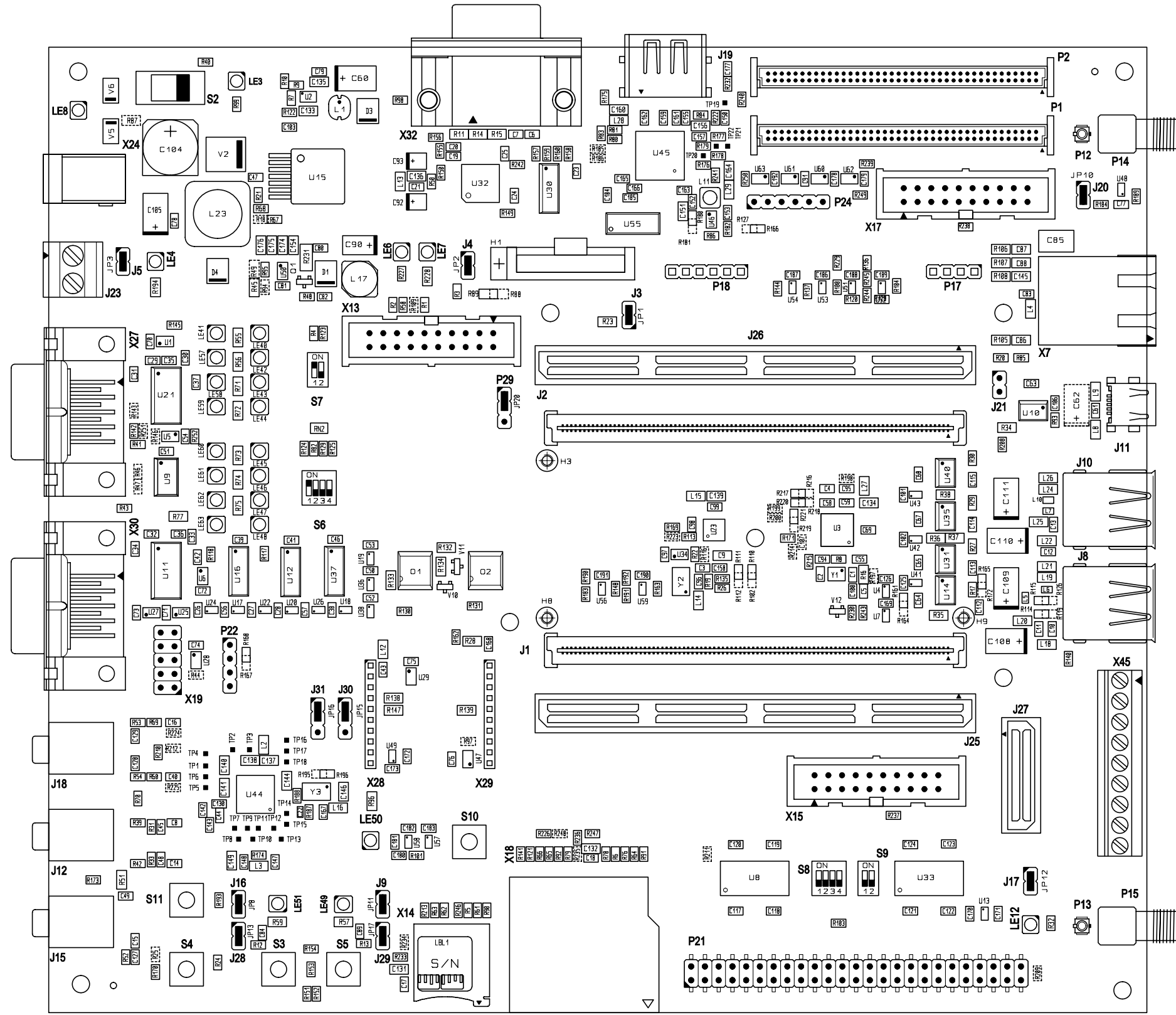
*****
* BOOT_CONF2 | Description
*****
* 0 | SD3 (SD/MMC card) *
* 1 | SD1 (HSD card) * DEFAULT
*****

*****
* BOOT_CONF4 | BOOT_CONF3 | Description
*****
* 0 | 0 | UART1 (ME1) *
* 0 | 1 | UART2 (CONSOLE) *
* 1 | 0 | UART3 (ITL/XBEE) *
* 1 | 1 | RESERVED * DEFAULT
*****
    
```



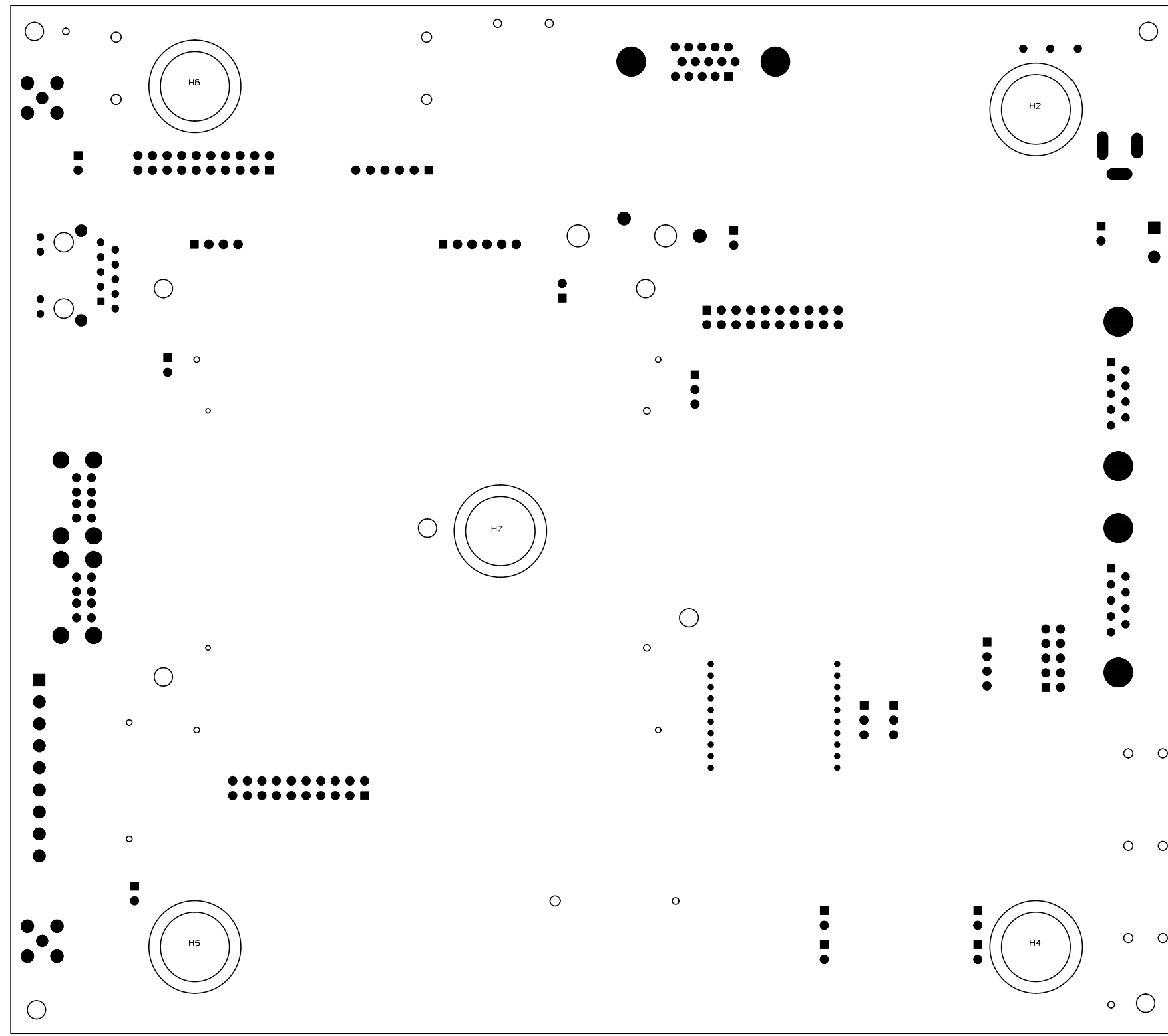
Usable for:				Filename: 3001103x-03_A.scm	
				JSCCW i - i.MX51 ConnectCore Wi-i.MX 51 JumpStart Board, 3xUART, XBee, 4xUSB Host, USB OTG, 2xEthernet, 2xLCDs, 2xCamera, 2xSDIO, HDMI, AUDIO	
		Designer	29.10.2009	Name	MS
		Approved			
		ISO			
				Title: BOOTSTRAP	
				Partnumber: 55001488-02	
				Sheet 15	
				of 15	
Rev.	Modification	Date	Name	Provided for: Provided by:	
A	NPR001518	04.11.2010	MS		






Usable for:				Filename: 3001103x-03_A.pcb	
				JSCCW-i.MX51 ConnectCore Wi-i.MX 51 JumpStart Board, 3xUART, XBee, 4xUSB Host, USB OTG, 2xEthernet, 2xLCDs, 2xCamera, 2xSDIO, HDMI, AUDIO	
				Title:	
				Placement TOP Side	
				Partnumber:	
				55001488-02	
				Sheet	
				1	
				of 2	
Rev. Modification Date Name				Provided for: Provided by:	
A	NPR001518	05.11.10	SC		





Usable for:				Filename: 3001103x-03_A.pcb	
				JSCCW i-i.MX5 1 ConnectCore Wi-i.MX 51 JumpStart Board, 3xUART, XBee, 4xUSB Host, USB OTG, 2xEthernet, 2xLCDs, 2xCamera, 2xSDIO, HDMI, AUDIO	
				Date	Name
				30.10.09	SC
				Approved	
				ISO	
				Title:	
				Placement Bottom Side	
				Partnumber:	
				55001488-02	
				Sheet 2	
				of 2	
				Provided for:	
				Provided by:	
Rev.	Modification	Date	Name		
A	NPR001518	05.11.10	SC		