


	1	2	3	4	5	6	7	8	9	10	11	12
A												
B												
C												
D												
E												
F												
G												
H												

TXT1  
95017001  
LABEL  
TEXT

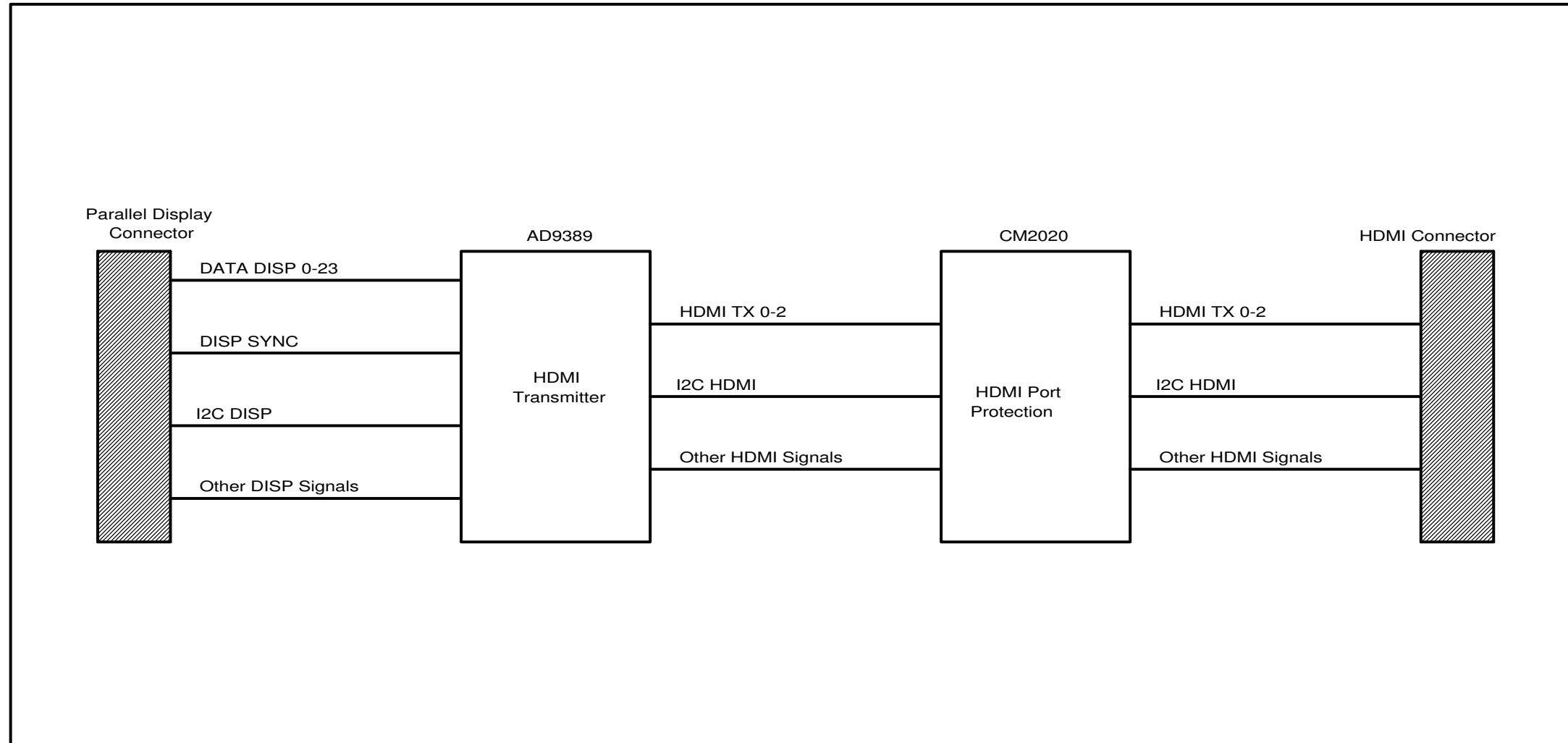
LBL1  
S/N

PCB1  
30014912-01  
PCB

E1  
30014918-01  
PREFERENCE

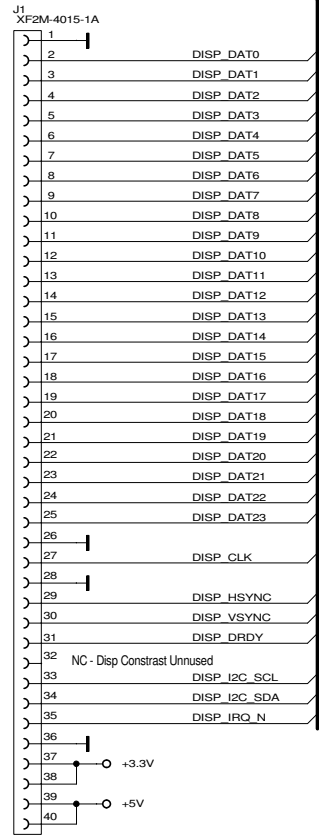
Usable for:							Filename: 3001491x-01_A.scm		
							<b>CC6_SBC_HDMI_ADPT</b> <small>Note: This layout version is for reference only. Some parts may not be equipped or may have different values.</small>		
				Designer	Date	Name	<b>Mechanicals</b>		
				30.06.14	FG				
				Approved					
				ISO					
								Partnumber:	Sheet
								<b>30014911-01</b>	0
01	RevA: Initial Layout	30.06.2014	FG						of 2
Rev.	Modification	Date	Name					Provided for:	Provided by:

## CC6\_SBC\_HDMI\_ADPT

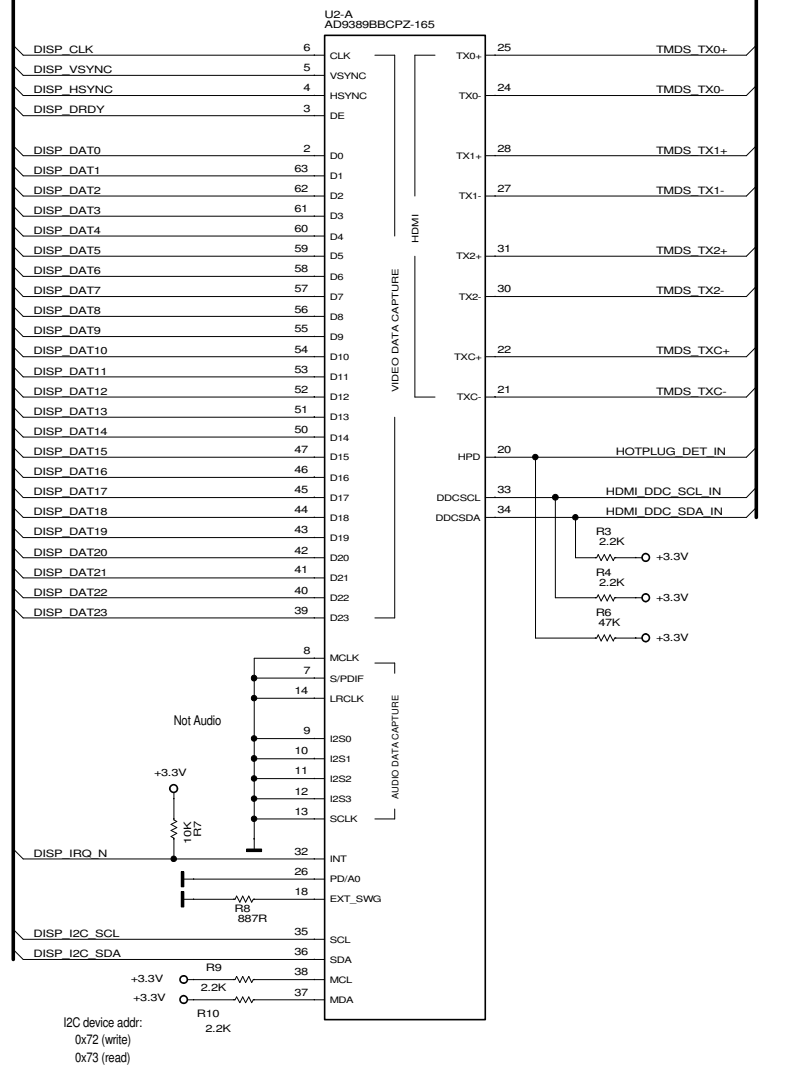


Usable for:				Filename: 3001491x-01_A.scm		
<b>CC6_SBC_HDMI_ADPT</b> <small>Note: This layout version is for reference only. Some parts may not be equipped or may have different values.</small>						
				Date		Name
				Designer		30.06.14
				Approved		
				ISO		
Partnumber:						Sheet
<b>30014911-01</b>						<b>1</b>
Provided for:						of 2
Rev.				Modification		Date
01				RevA: Initial Layout		30.06.2014
						FG

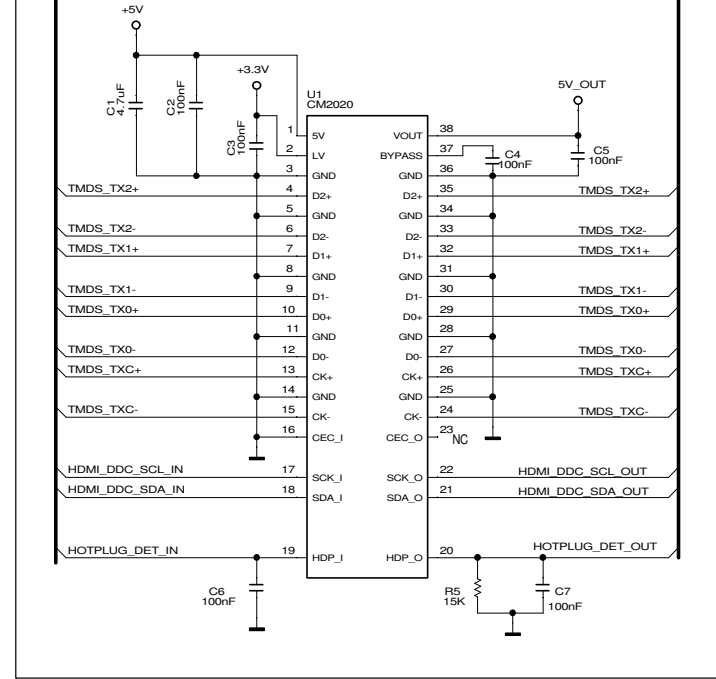
### PARALLEL DISPLAY CONNECTOR



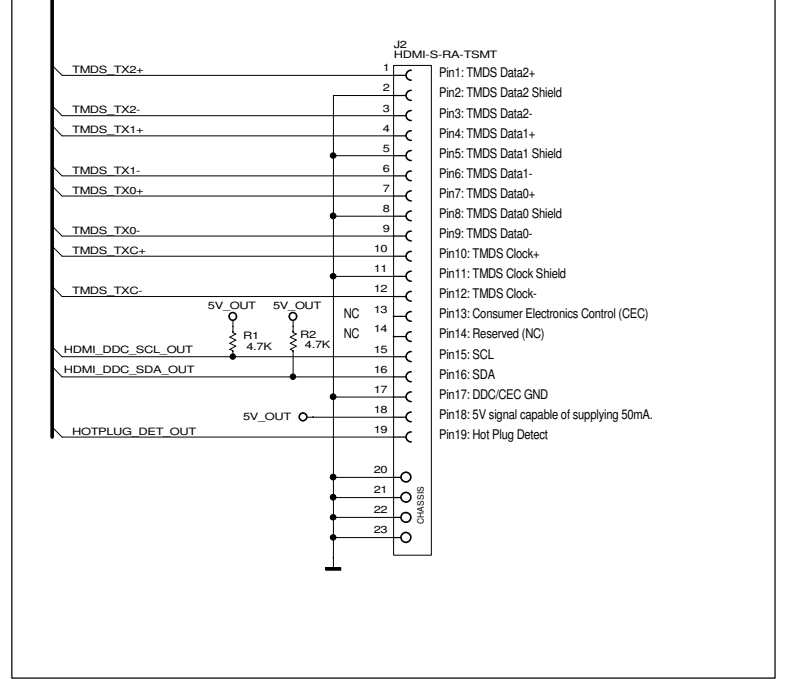
### HDMI TRANSMITTER



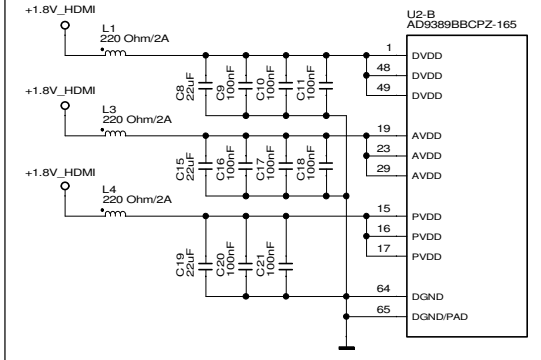
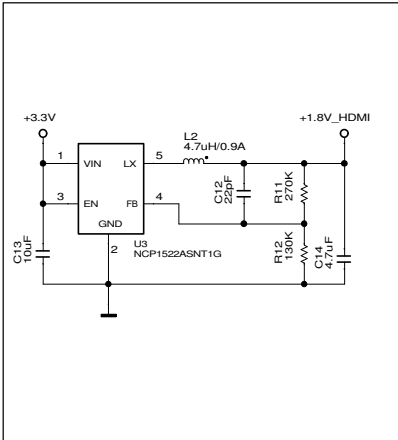
### HDMI PROTECTION



### HDMI CONNECTOR



### 1.8V REGULATOR



Usable for:				Date		Name		Title:		Partnumber:		Sheet	
				30.06.14		FG		CC6_SBC_HDMI_ADPT		30014911-01		2	
				Approved				CC6_SBC_HDMI_ADPT				of 2	
				ISO									
Rev.				Modification		Date		Name		Provided for:		Provided by:	
01				RevA: Initial Layout		30.06.2014		FG					



CC6\_SBC\_HDMI\_ADPT  
Note: This layout version is for reference only. Some parts may not be equipped or may have different values.

Filename: 3001491x-01\_A.scm