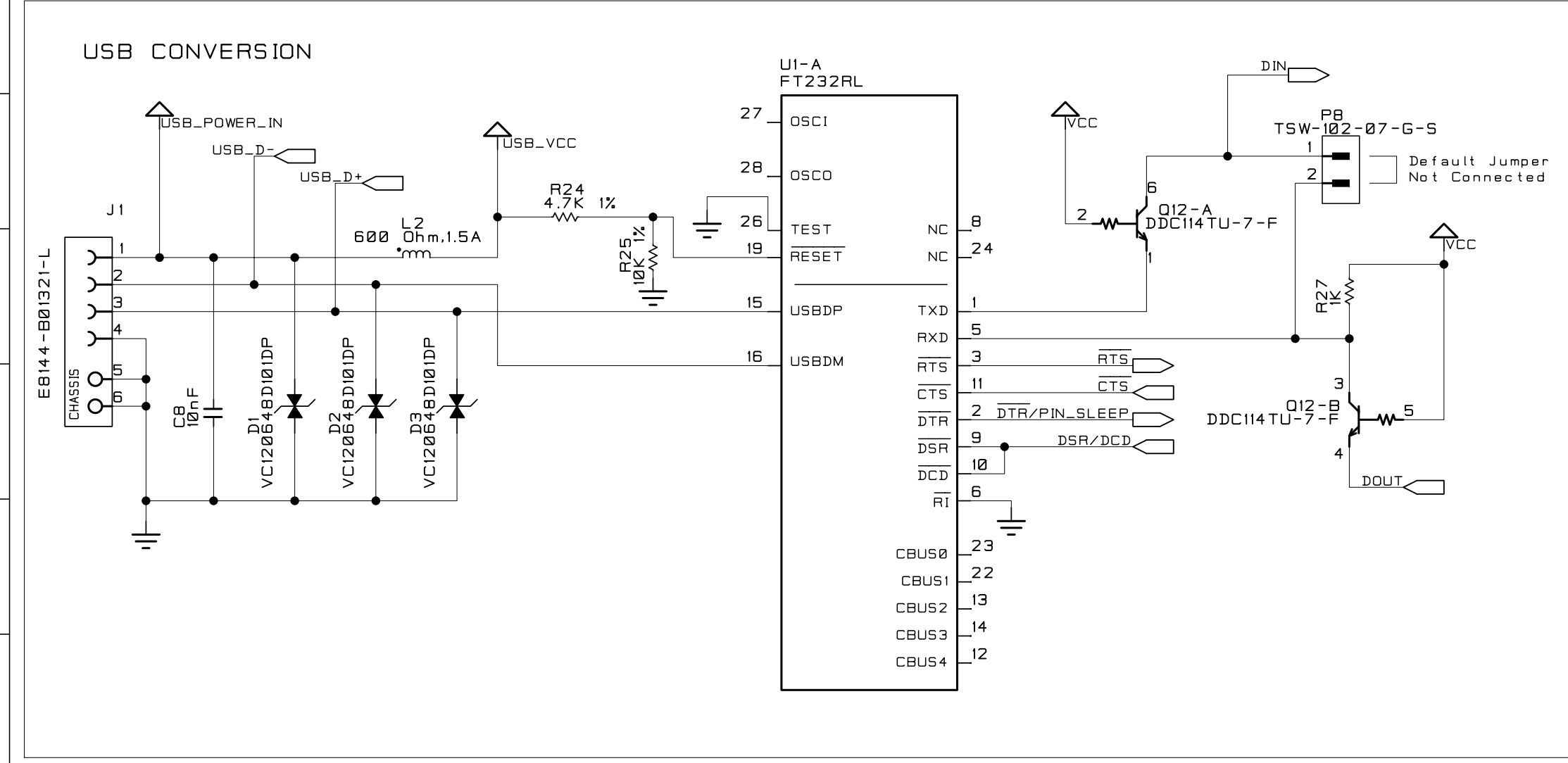
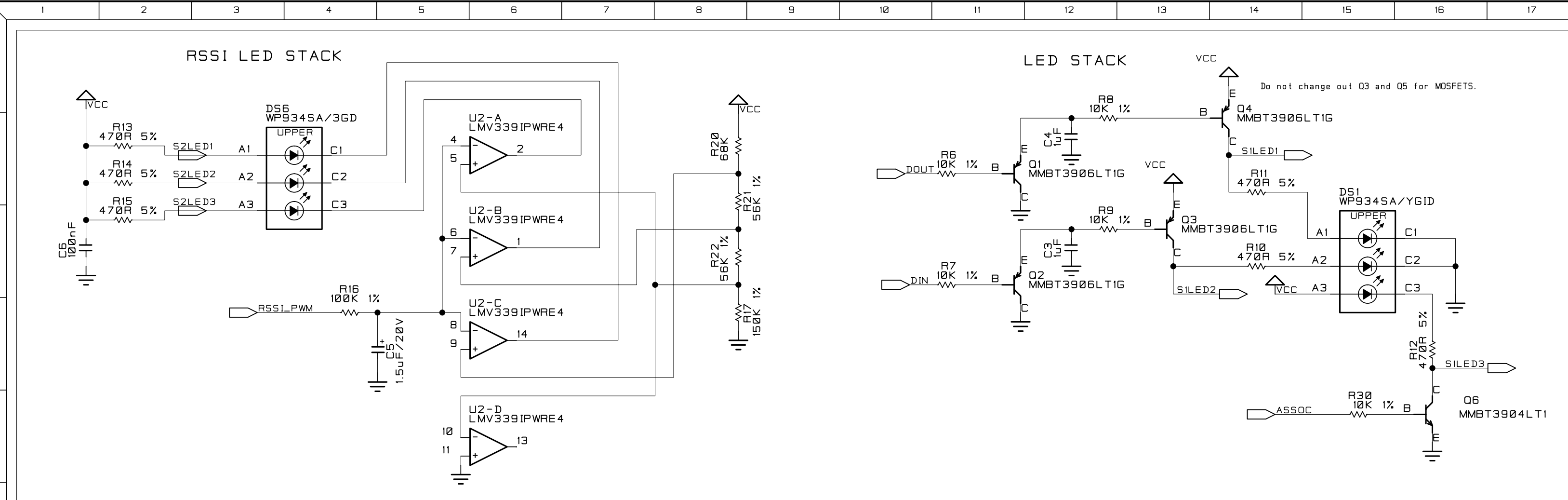
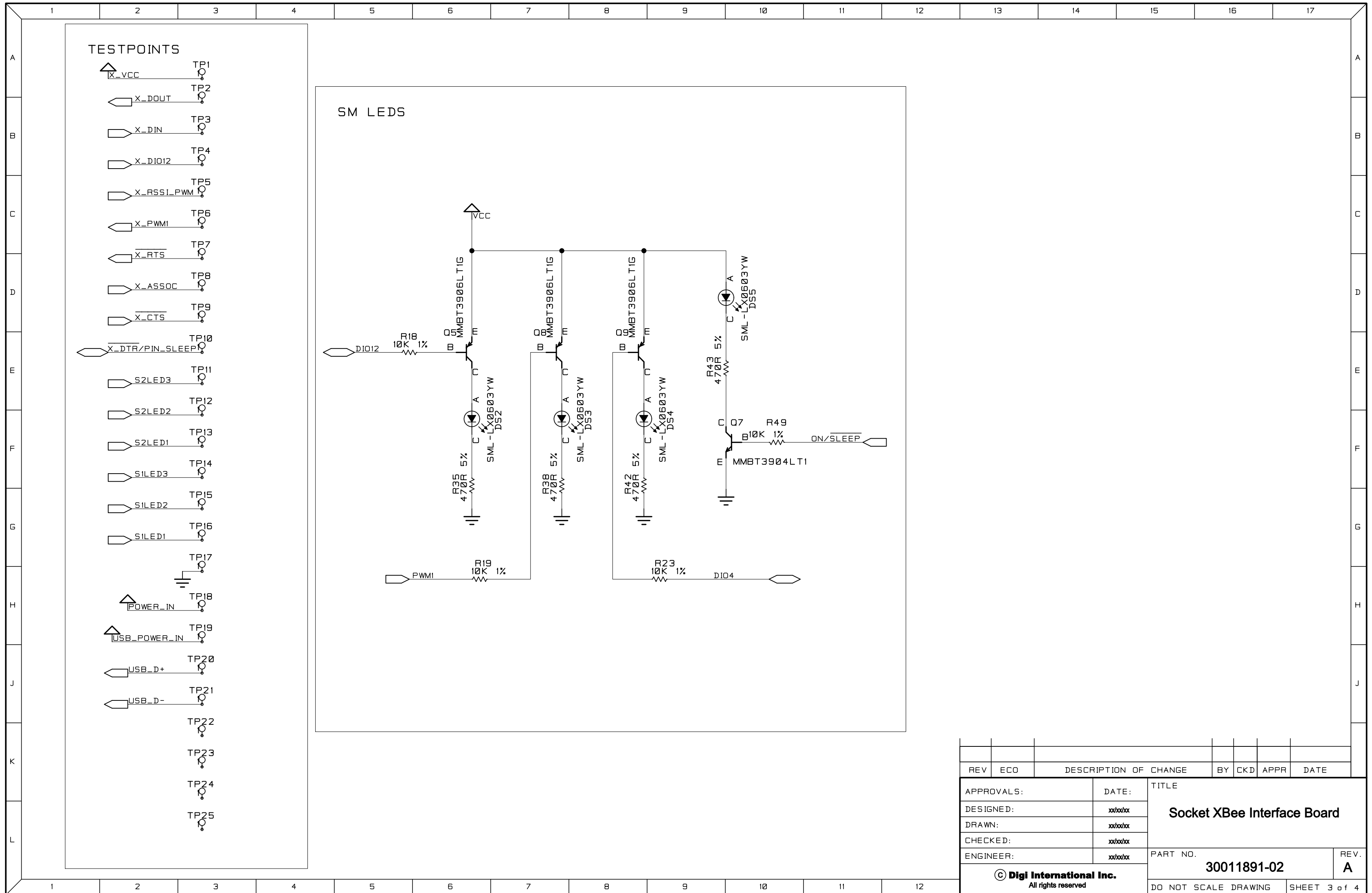


REV	ECO	DESCRIPTION OF CHANGE	BY	CKD	APPR	DATE

APPROVALS:	DATE:	Socket XBee Interface Board PART NO. 30011891-02 REV. A
DESIGNED:	xxxxxx	
DRAWN:	xxxxxx	
CHECKED:	xxxxxx	
ENGINEER:	xxxxxx	
© Digi International Inc. All rights reserved		DO NOT SCALE DRAWING SHEET 1 of 4



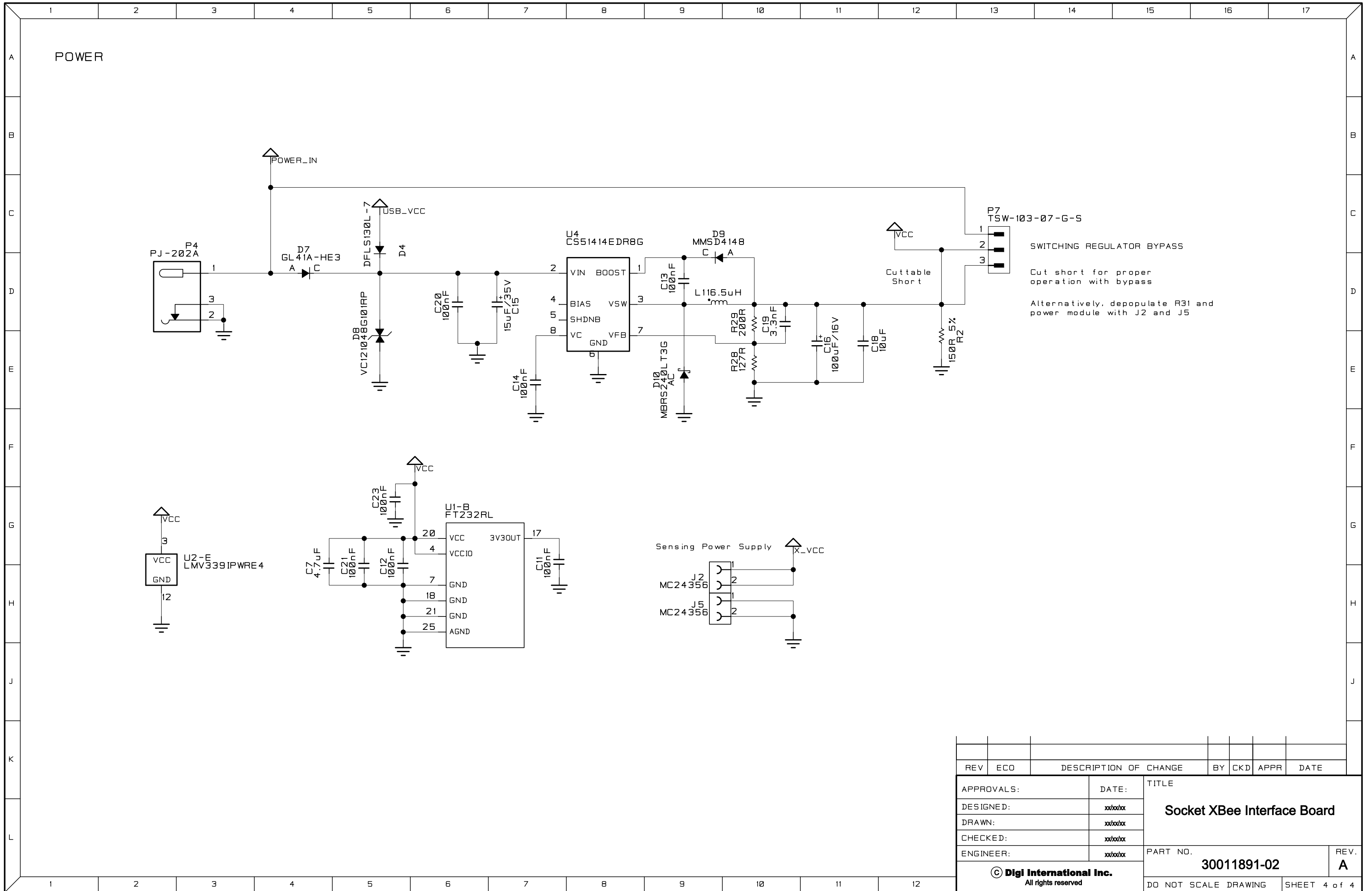
REV	ECO	DESCRIPTION OF CHANGE	BY	CKD	APPR	DATE
APPROVALS:		DATE:	TITLE			
DESIGNED:		xxxxxx	Socket XBee Interface Board			
DRAWN:		xxxxxx	PART NO.			
CHECKED:		xxxxxx	30011891-02			
ENGINEER:		xxxxxx	REV.		A	
© Digi International Inc. All rights reserved						DO NOT SCALE DRAWING SHEET 2 of 4



TESTPOINTS

X_VCC	TP1
X_DOUT	TP2
X_DIN	TP3
X_DIO12	TP4
X_RSSI_PWM	TP5
X_PWM1	TP6
X_RTS	TP7
X_ASSOC	TP8
X_CTS	TP9
X_DTR/PIN_SLEEP	TP10
S2LED3	TP11
S2LED2	TP12
S2LED1	TP13
S1LED3	TP14
S1LED2	TP15
S1LED1	TP16
POWER_IN	TP17
POWER_IN	TP18
USB_POWER_IN	TP19
USB_D+	TP20
USB_D-	TP21
	TP22
	TP23
	TP24
	TP25

REV	ECO	DESCRIPTION OF CHANGE	BY	CKD	APPR	DATE
APPROVALS:		DATE:	TITLE			
DESIGNED:		xxxxxx	Socket XBee Interface Board			
DRAWN:		xxxxxx				
CHECKED:		xxxxxx				
ENGINEER:		xxxxxx				
© Digi International Inc. All rights reserved		PART NO.	REV.			
		30011891-02	A			
DO NOT SCALE DRAWING				SHEET 3 of 4		



REV	ECO	DESCRIPTION OF CHANGE	BY	CKD	APPR	DATE
APPROVALS:		DATE:	TITLE			
DESIGNED:		xxxxxx	Socket XBee Interface Board			
DRAWN:		xxxxxx				
CHECKED:		xxxxxx				
ENGINEER:		xxxxxx	PART NO.		REV.	
			30011891-02		A	
DO NOT SCALE DRAWING						SHEET 4 of 4