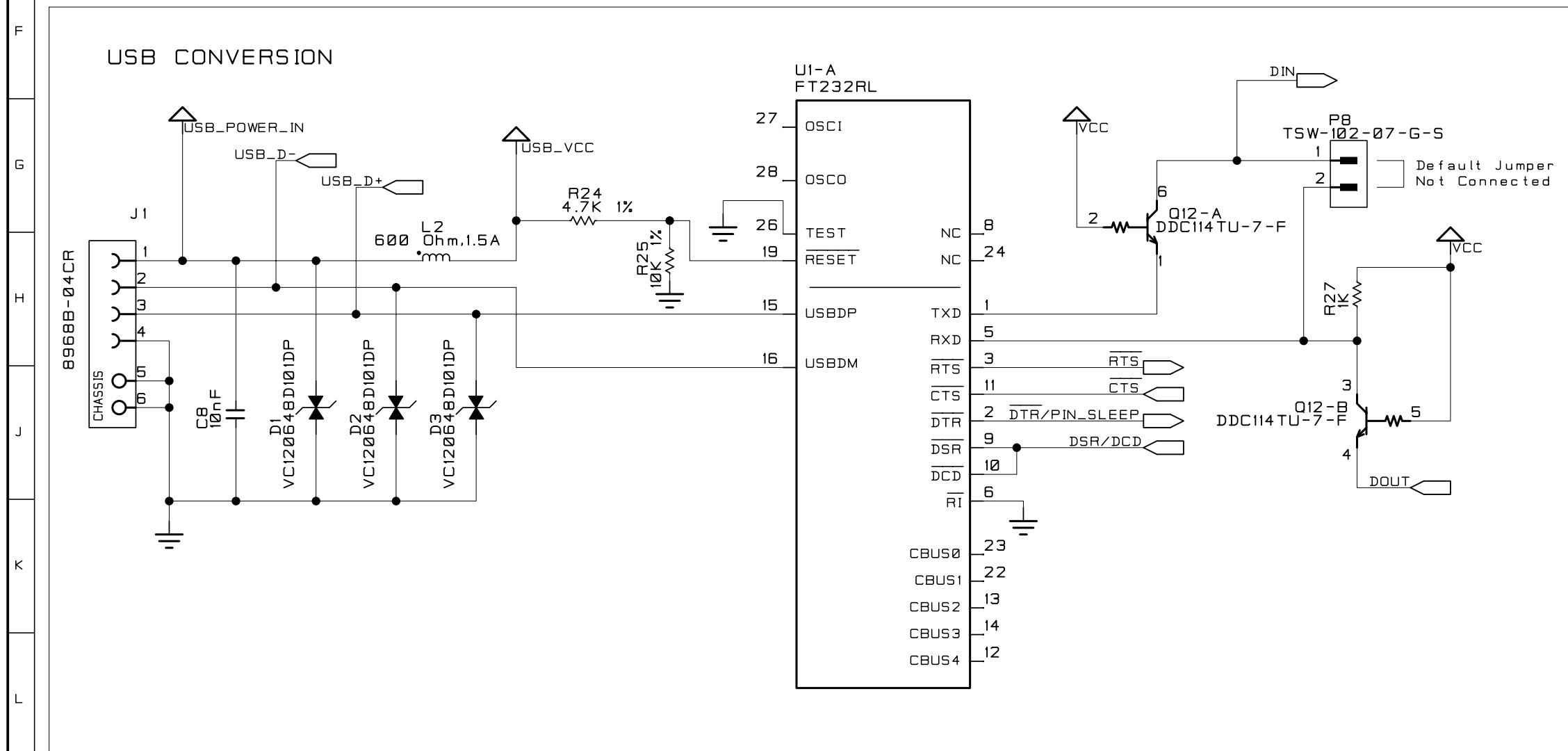
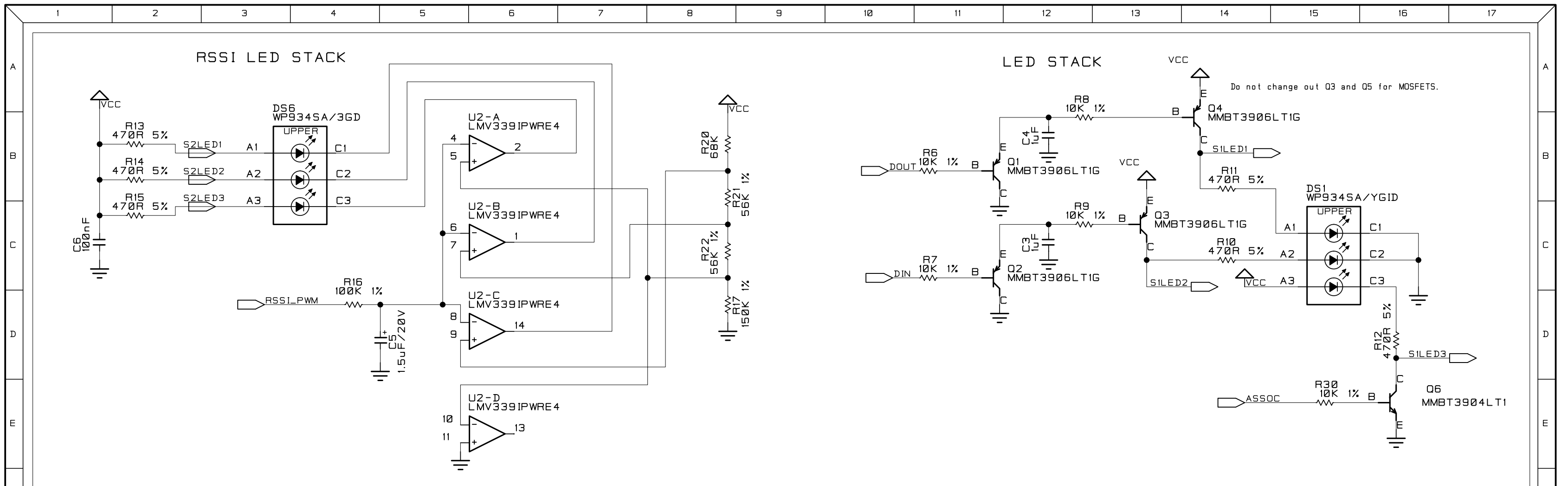
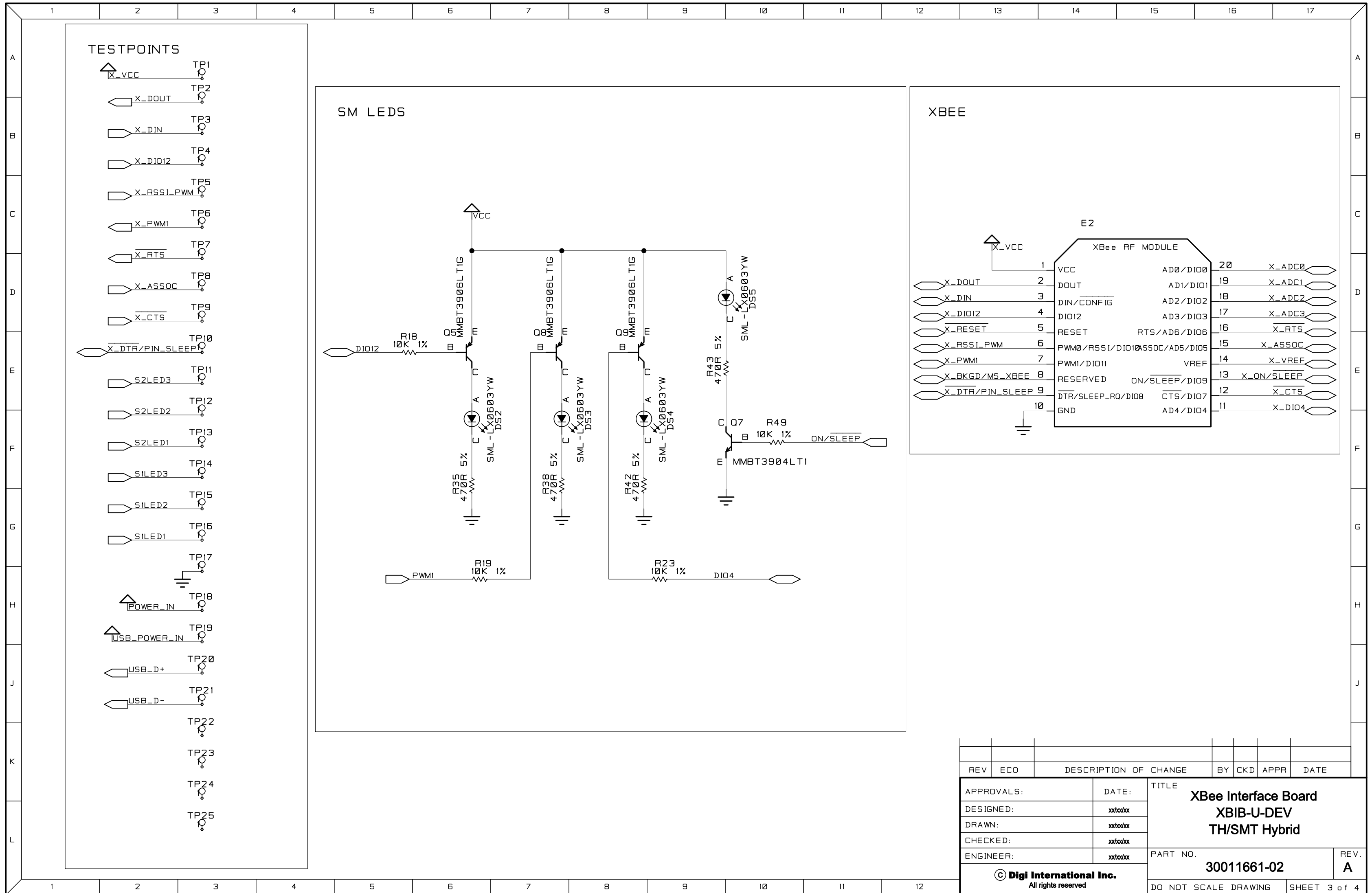


REV	ECO	DESCRIPTION OF CHANGE	BY	CKD	APPR	DATE
APPROVALS:						
DESIGNED:		DATE:		TITLE		
DRAWN:		Xxxx		XBee Interface Board		
CHECKED:		Xxxx		XBIB-U-DEV		
ENGINEER:		Xxxx		TH/SMT Hybrid		
© Digi International Inc. All rights reserved				PART NO.		REV.
				30011661-02		A
DO NOT SCALE DRAWING						SHEET 1 of 4

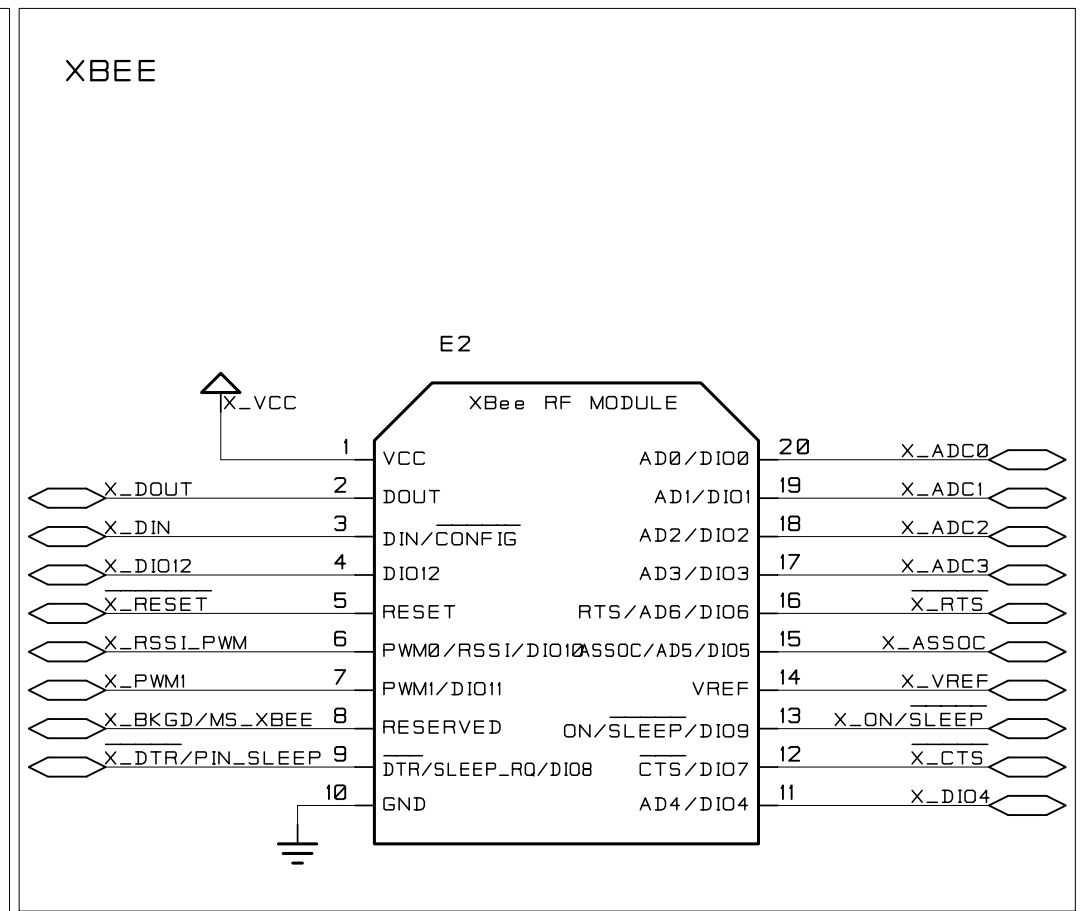


REV	ECO	DESCRIPTION OF CHANGE	BY	CKD	APPR	DATE	
APPROVALS: _____ DATE: _____ TITLE: XBee Interface Board XBIB-U-DEV TH/SMT Hybrid							
DESIGNED: _____ DRAWN: _____ CHECKED: _____ ENGINEER: _____							
© Digi International Inc. All rights reserved						PART NO. 30011661-02	REV. A
DO NOT SCALE DRAWING						SHEET 2 of 4	



TESTPOINTS

X_VCC	TP1
X_DOUT	TP2
X_DIN	TP3
X_DIO12	TP4
X_RSSI_PWM	TP5
X_PWM1	TP6
X_RTS	TP7
X_ASSOC	TP8
X_CTS	TP9
X_DTR/PIN_SLEEP	TP10
S2LED3	TP11
S2LED2	TP12
S2LED1	TP13
S1LED3	TP14
S1LED2	TP15
S1LED1	TP16
	TP17
POWER_IN	TP18
USB_POWER_IN	TP19
USB_D+	TP20
USB_D-	TP21
	TP22
	TP23
	TP24
	TP25



REV	ECO	DESCRIPTION OF CHANGE	BY	CKD	APPR	DATE

APPROVALS:	DATE:	TITLE XBee Interface Board XBIB-U-DEV TH/SMT Hybrid	
DESIGNED:	xxxxxx		
DRAWN:	xxxxxx		
CHECKED:	xxxxxx		
ENGINEER:	xxxxxx	PART NO.	REV.
© Digi International Inc. All rights reserved		30011661-02	A
DO NOT SCALE DRAWING		SHEET 3 of 4	

