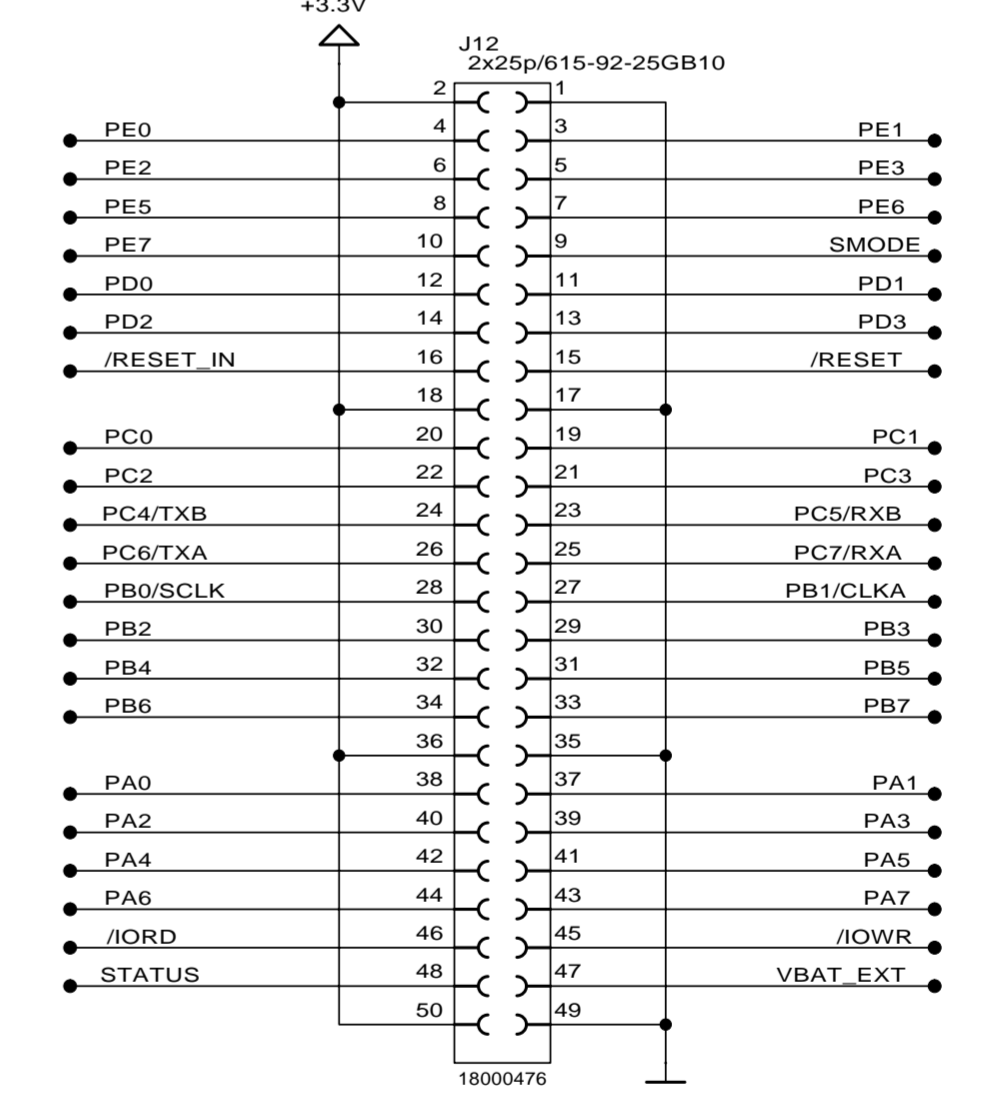
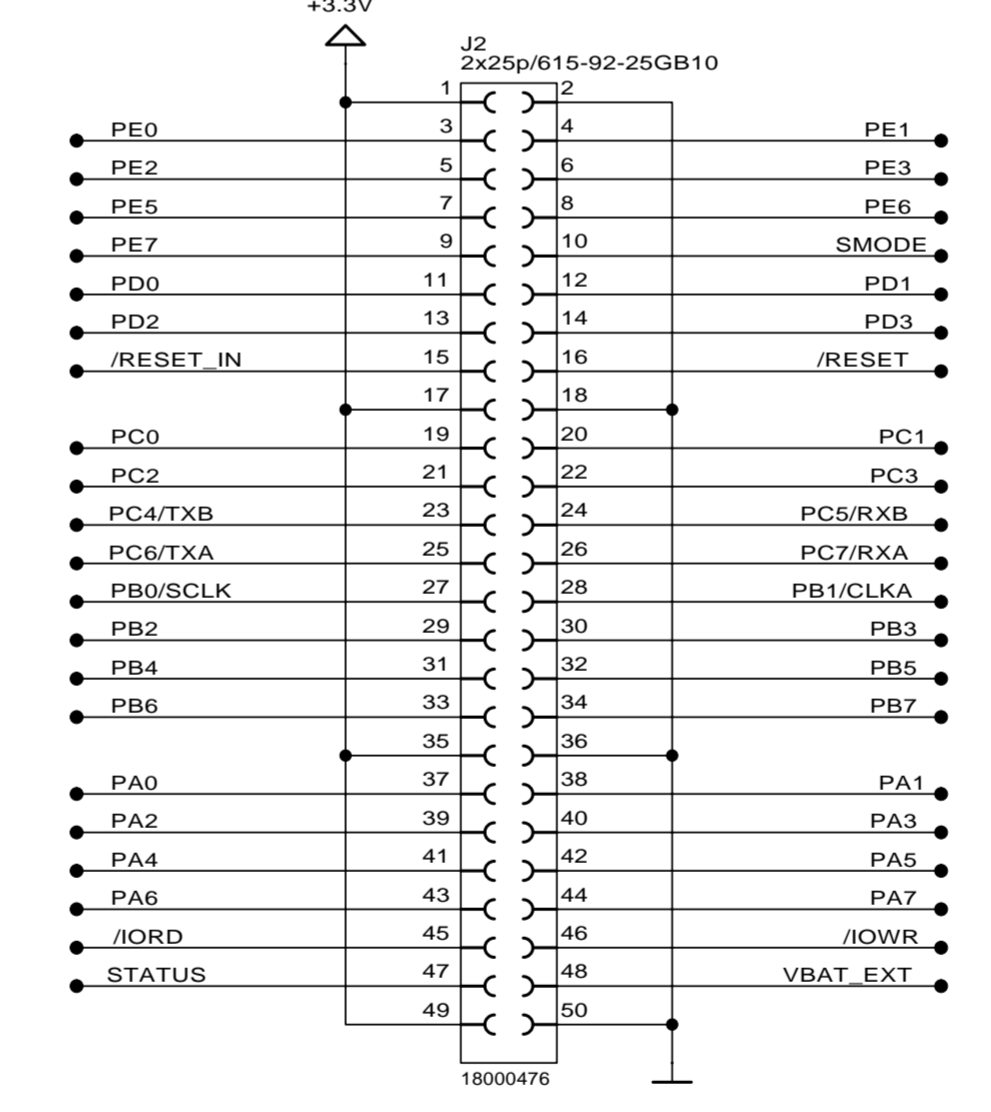
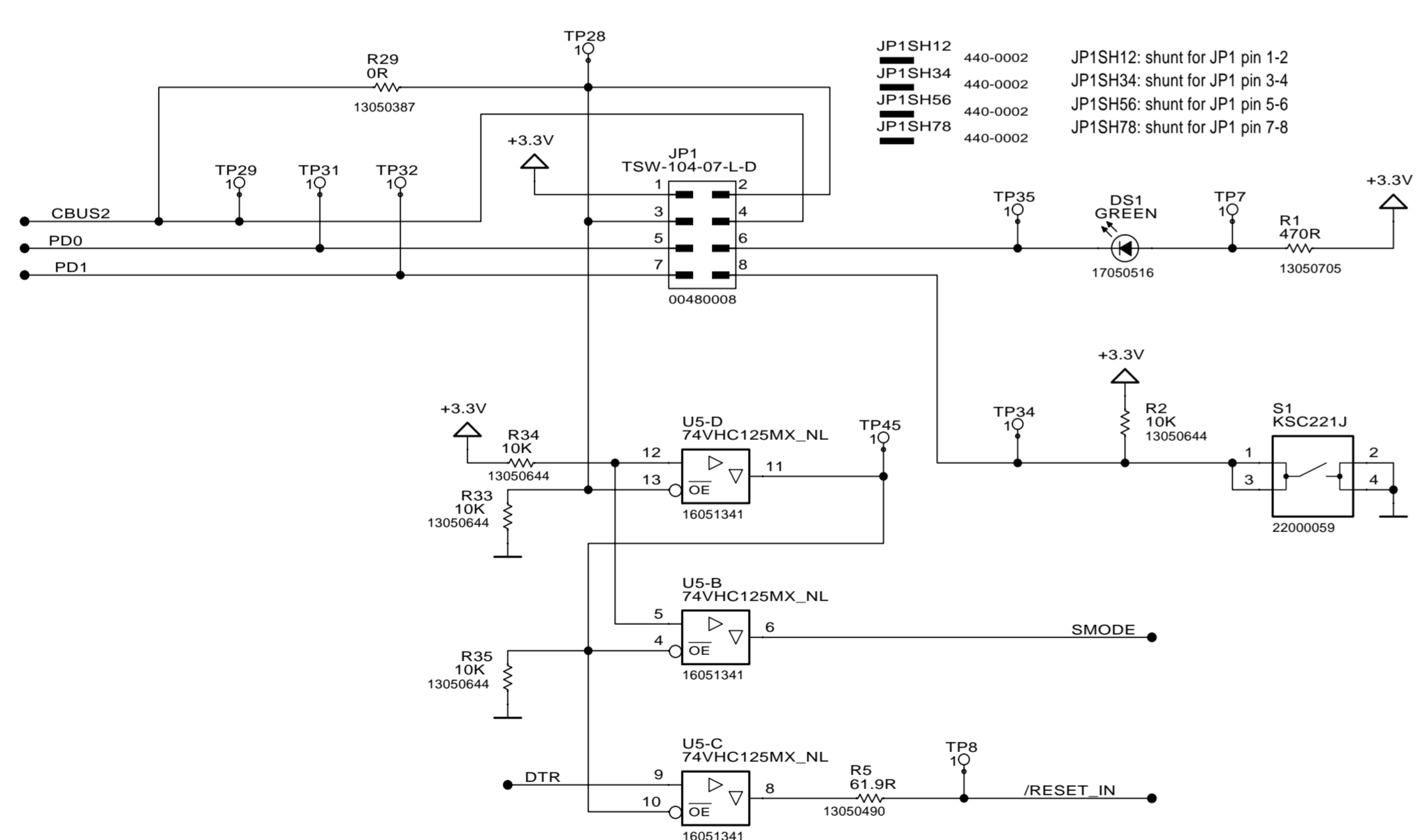
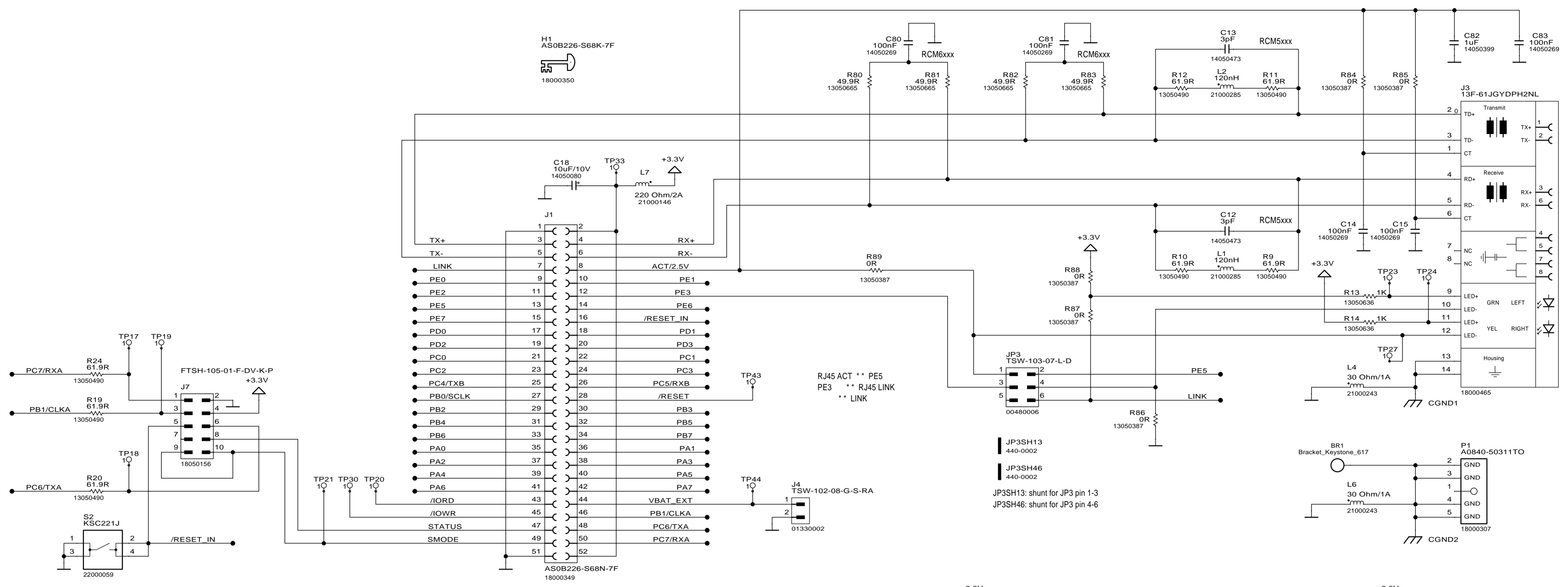


Usable for:				Filename: 30011651-03_A.scm		
Note: This layout version is for reference only. Some parts may not be equipped or may have different values.						
				Date	Name	
				Designer	TL	
				Approved		
				ISO		
				Title:		
				RCM5xxx/RCM6xxx Interface Board		
				Partnumber:		
				30011651-03		
				Sheet		
				1		
				of 3		
Rev.				Modification	Date	Name
-03 A	See History Page	04.12.2011	TL			
-02 A	See History Page	04.20.2010	TL			
-01 A	Initial Layout	02.15.2010	TL			
				Provided for:		
				Provided by:		





JP1 Setup for Parallel and Serial Flash
 Jumper 1-2 Jumper on for Programming (SMODE = 1)
 Jumper 1-2 Remove Jumper for Run (SMODE = 0)
 Jumper 3-4 SMODE = Cbus2

JP1 Setup for I/O test
 Jumper 5-6 PD0/DS1 Test
 Jumper 7-8 PD1/S1 Test

Usable for:				Date		Name		Title:		Filename: 30011651-03_A.scm	
				Designer		TL		RCM5xxx/RCM6xxx Interface Board		Note: This layout version is for reference only. Some parts may not be equipped or may have different values.	
				Approved							
				ISO							
				Date		Name		Partnumber:		Sheet	
-03 A				See History Page		04.12.2011		TL		2	
-02 A				See History Page		04.20.2010		TL		of 3	
-01 A				Initial Layout		02.15.2010		TL			
Rev.				Modification		Date		Name		Provided by:	
								Digi		30011651-03	
										Provided by:	

1 2 3 4 5 6 7 8 9 10 11 12

A

-01_A to -02_A Change List:

1. Layout change: footprint of the PCI Express clip has been changed.
2. Layout change: remove Digi logo from silkscreen. Add PWR text to power LED on silkscreen.
3. Change shunt from 10000021 to 440-0002.

B

-02_A to -03_A Change List:

1. Change of the USB power switch ENABLE logic. In the original Rabbit design the switch was always enabled independently of the /POWER_EN status of the FTDI chip.

C

D


E

F

G

H

1 2 3 4 5 6

Usable for:						Filename: 30011651-03_A.scm	
<small>Note: This layout version is for reference only. Some parts may not be equipped or may have different values.</small>							
				Date	Name	Title: RCM5xxx/RCM6xxx Interface Board	
			Designer	02.15.2010	TL		
			Approved				
			ISO				
-03 A	See History Page	04.12.2011	TL			Partnumber: 30011651-03	
-02 A	See History Page	04.20.2010	TL			Sheet 3	
-01 A	Initial Layout	02.15.2010	TL			of 3	
Rev.	Modification	Date	Name			Provided for:	Provided by:

A

B

C

D

E

F

G

H