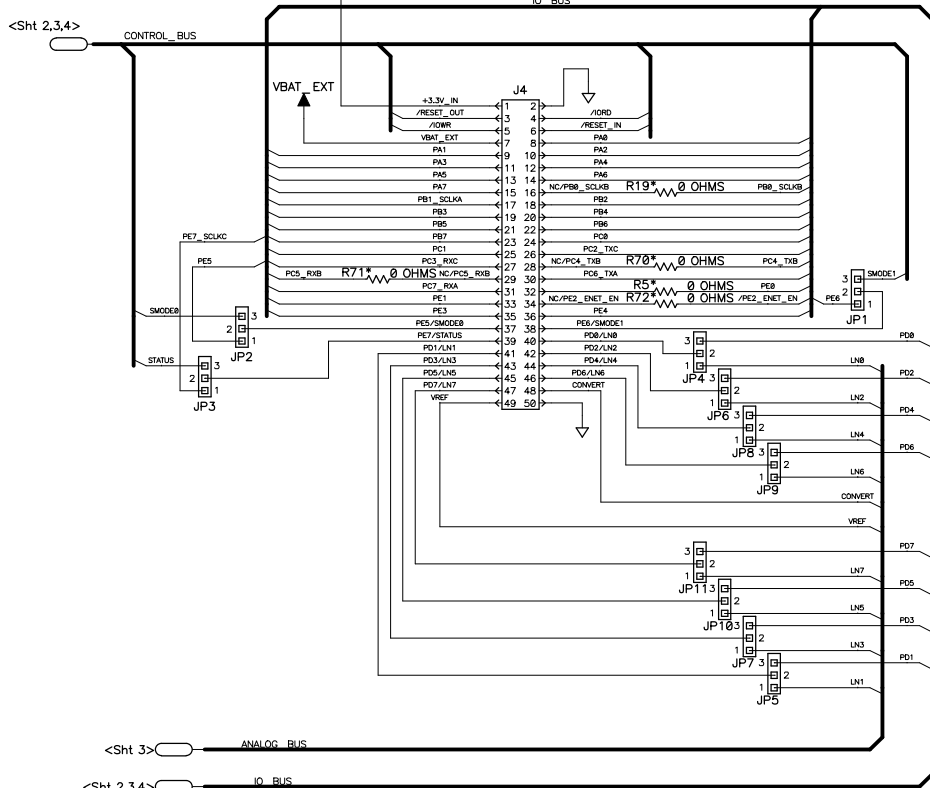
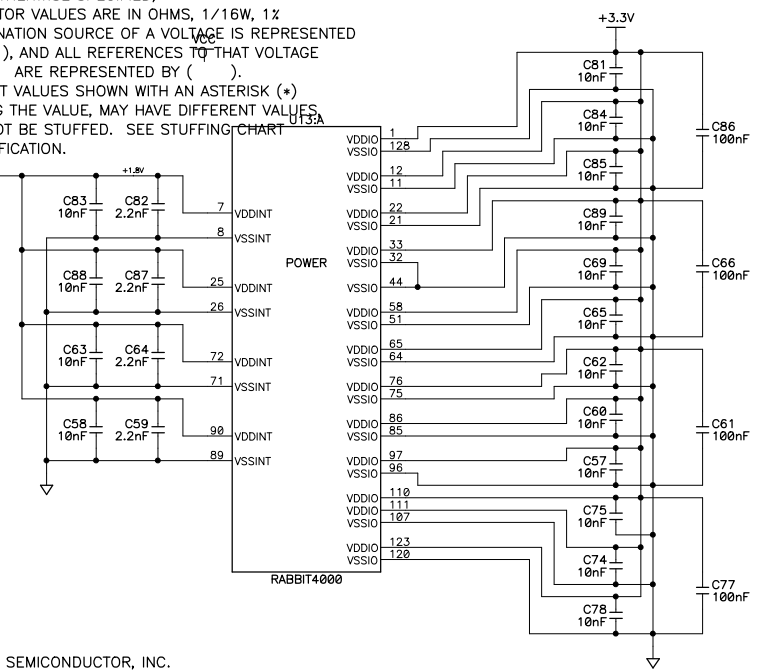


CORE HEADER



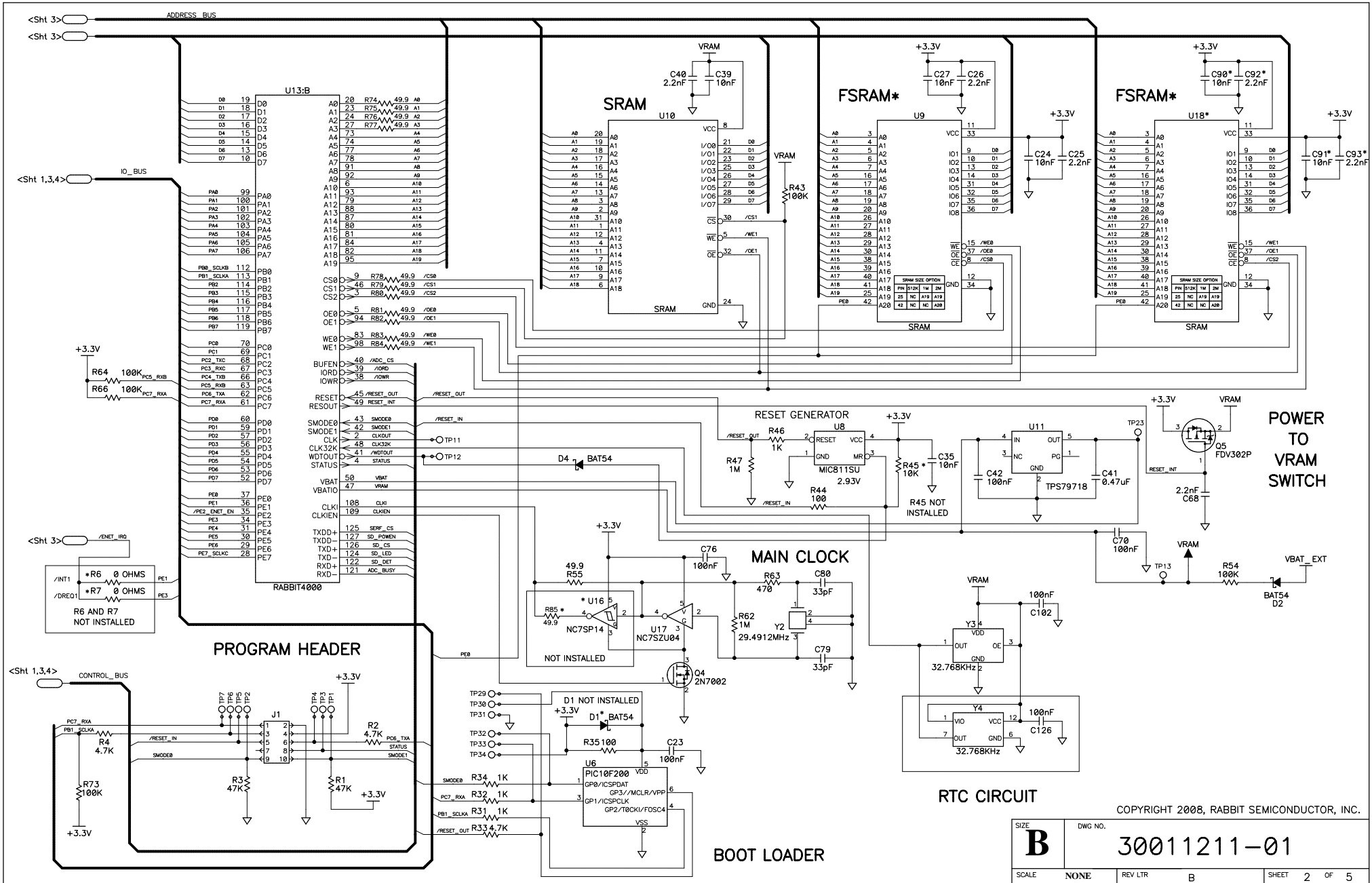
REVISION HISTORY			REVISION APPROVAL			
REV	ECO	DESCRIPTION	PROJECT ENGINEER	APPROVAL DATE	DOCUMENT CONTROL	APPROVAL DATE
A	E15061	INITIAL RELEASE	JC	3/15/07	JC	3/15/07
B	E15358	ADD R73 AND D4	HH	7/31/07	KLF	7/30/07
C	E15417	CHANGED PART FOR DS1, DS2, AND DS3	HH	9/14/07	KLF	9/14/07
D	E15601	ADDED LABEL NC/PE2_ENET_EN TO J4:34	HH	1/24/08	KLF	1/24/08
E	000190	ADDED TP22 TO DS4 AND TP23 TO VBAT, CHANGED RTC TO OSCILLATOR. REMOVED CAPS, BEADS FROM ETHERNET POWER. CHANGED MAIN CLOCK SERIES R TO 49.90HM				
F	000260	ADDED TEST POINTS ADD TERMINATION SERIES RESISTORS	TCP	6/9/08		
A	Proto	SWITCHED TO 30M NUMBERING SCHEME WITH REV A MINI-SD SOCKET CHANGED TO MICRO-SD	TL	12/03/09		
B	N00995	SD CARD DETECT SIGNAL INVERSION ADDED COPPER POUR ON PCB	TL	01/07/10		

- NOTES: UNLESS OTHERWISE SPECIFIED;
1. ALL RESISTOR VALUES ARE IN OHMS, 1/16W, 1%
 2. THE ORIGIN SOURCE OF A VOLTAGE IS REPRESENTED BY (), AND ALL REFERENCES TO THAT VOLTAGE ARE REPRESENTED BY ().
 3. COMPONENT VALUES SHOWN WITH AN ASTERISK (*) FOLLOWING THE VALUE, MAY HAVE DIFFERENT VALUES, OR MAY NOT BE STUFFED. SEE STUFFING CHART FOR CLARIFICATION.



COPYRIGHT 2008, RABBIT SEMICONDUCTOR, INC.

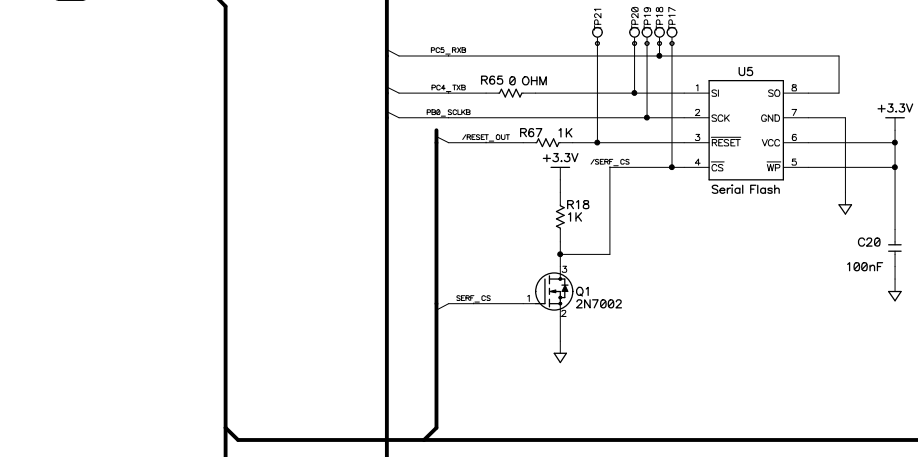
APPEND THE FOLLOWING DOCUMENTS WHEN CHANGING THIS DOCUMENT:	DRAWING CONTENT:		TITLE SCHEMATIC DIAGRAM RCM4300	RABBIT SEMICONDUCTOR www.rabbit.com	
	DRAWN BY: (INITIAL RELEASE) J CAMPBELL	{Date}			
	REVISED BY: T. PHAN	6/9/08			
	APPROVALS: INITIAL RELEASE				
	PROJECT ENGINEER: H HAM				
ENGINEERING MANAGER: X TRUONG			SIZE B	DWG NO. 30011211-01	
SIGNATURES	DATE	SCALE	NONE	RELEASE DATE	SHEET 1 OF 5



<Sht 1,2,4> IO_BUS

<Sht 1,2,4> CONTROL_BUS

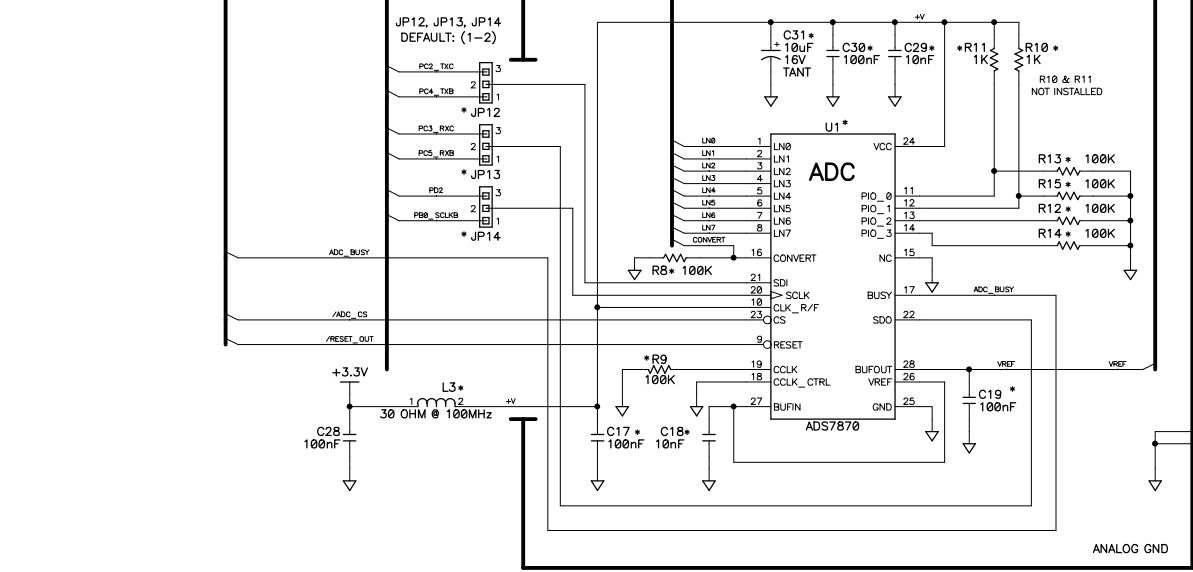
SERIAL FLASH



<Sht 1> ANALOG_BUS

JP12, JP13, JP14
DEFAULT: (1-2)

ADC



SD_POWER

SD_CS

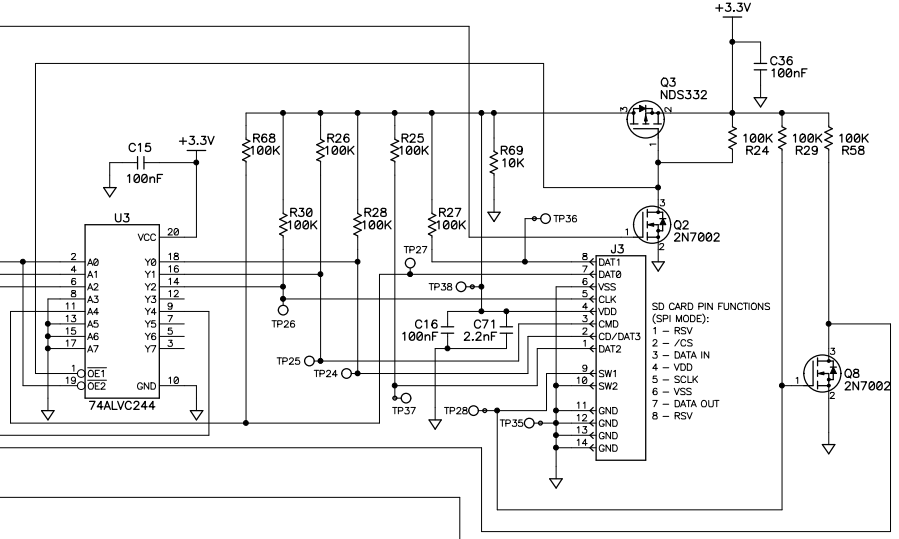
PC4_TXB

PB0_SCLKB

PC5_RXB

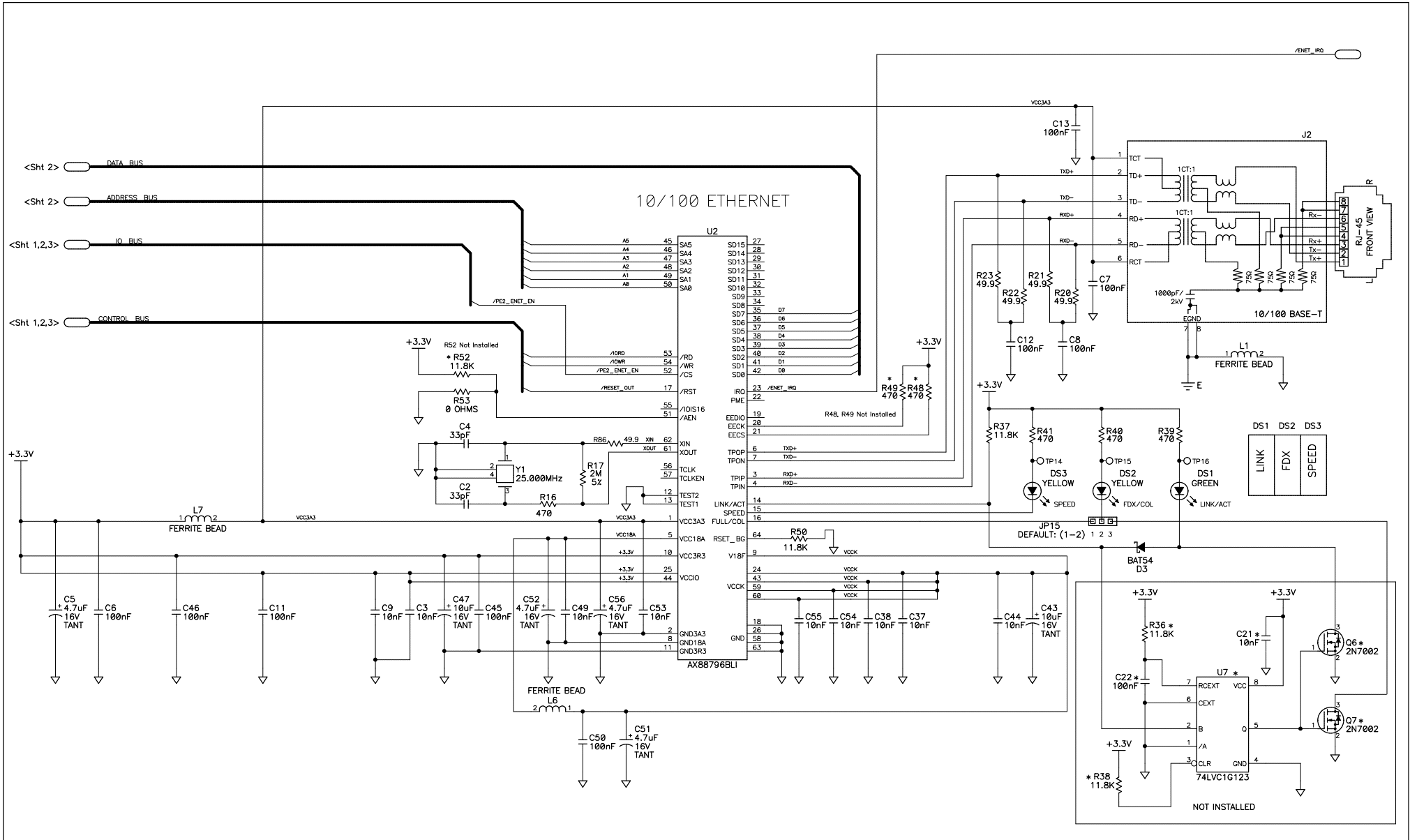
SD_DET

SD_LED



MICRO SD CARD SOCKET

SD CARD PIN FUNCTIONS
(SPI MODE):
1 - RSV
2 - /CS
3 - DATA IN
4 - VDD
5 - SCLK
6 - VSS
7 - DATA OUT
8 - RSV



RCM4300 STANDARD CONFIGURATION OPTIONS			
OPTION	RCM4310	RCM4300	
SRAM	512KB	512KB	
FAST SRAM	512KB	1MB	
SERIAL FLASH	1MB	2MB	
ADC	NONE	12 Bit	
ALT SIGNALS	PORTE[5..7]	PORTE[5..7]	

OPTION: FAST SRAM			
PART	512KB	1MB	
U9	512KB	512KB	
U18	NOT INSTALLED	512KB	

OPTION: SERIAL FLASH		
PART	1MB	2MB
U5	1MB	2MB

OPTION: ADC			
PART	NONE	12 Bit	
U1	NOT INSTALLED	ADS7870	
C17, C18, C19, C28, C29, C30, C31	NOT INSTALLED	INSTALLED	
L3	NOT INSTALLED	INSTALLED	
R8, R9, R12, R13, R14, R15	NOT INSTALLED	INSTALLED	
R10, R11	NOT INSTALLED	NOT INSTALLED	
JP4, JP5, JP6, JP7, JP8, JP9, JP10, JP11	0 Ohm (2-3)	0 Ohm (1-2)	
JP12, JP13, JP14	NOT INSTALLED	0 Ohm (1-2)	
R56, R57	INSTALLED	NOT INSTALLED	

OPTION: ALT SIGNALS (SELECTS PIN 37-39 FUNCTION, PORTE[5..7] or SMODE0, SMODE1,STATUS)		
PARTS	PORTE[5..7]	PROG SIGNALS
JP1, JP2, JP3	0 Ohm (1-2)	0 Ohm (2-3)

CLOCK CONFIGURATIONS	
PART	
R55	INSTALLED
U16	NOT INSTALLED
R58	NOT INSTALLED
U15	INSTALLED

MISC 0 OHM JUMPERS	
PART	
R5	INSTALLED
R19	INSTALLED
R70	INSTALLED
R71	INSTALLED
R72	NOT INSTALLED